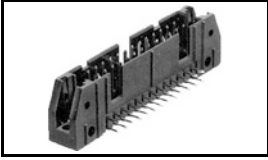


5102160-9 Product Details

[Share](#) [Print](#) [Email](#)



5102160-9

TE Internal Number: 5102160-9

Active

[View 3D PDF](#)

AMP-LATCH Pin and Pinless Headers

Always EU RoHS/ELV Compliant
(Statement of Compliance)

Product Highlights:

- Header
- Header Type = Universal Ejection Pin Headers
- AMP-LATCH Product Line
- Standard Profile
- 40 Positions

[View all Features](#)

Quick Links

- ▶ [Pricing & Availability](#)
- ▶ [Search for Tooling](#)
- ▶ [View Mating Products \(5\)](#)
- ▶ [Product Feature Selector](#)
- ▶ [Contact Us About This Product](#)

[Add to My Part List](#)

[Request Sample](#)

[Find Similar Products](#)

[Buy Product](#)

Documentation & Additional Information

Product Drawings:

- [HEADER ASSY, UNIVERSAL, AMP-LATCH](#) (PDF, English)

Catalog Pages/Data Sheets:

- [AMPMODU_INTERCONNECTION_SYSTEM_SECTION5](#) (PDF, English)
- [Ribbon Cable Interconnect Solutions](#) (PDF, English)

Product Specifications:

- [AMP-LATCH and IDC Header Connectors, .100 x .100 Inc...](#) (PDF, English)

Application Specifications:

- None Available

Instruction Sheets:

- None Available

CAD Files: (CAD Format & Compression Information)

- [2D Drawing](#) (DXF, Version D)
- [3D Model](#) (IGES, Version D)
- [3D Model](#) (STEP, Version D)

[List all Documents](#)

Additional Information:

- [Product Line Information](#)

Related Products:

- [Tooling](#)
- [Mating Products \(5\)](#)

Product Features (Please use the Product Drawing for all design activity)

Product Type Features:

- Connector Type = Header
- Product Line = AMP-LATCH
- Profile = Standard
- [PCB Mounting Orientation](#) = Right Angle
- [PCB Mount Retention](#) = Without
- [Mating Connector Lock](#) = Without
- [Ejection Latches](#) = Without
- Post Size (mm [in]) = 0.64 [.025]

Termination Features:

- [Termination Post Length](#) (mm [in]) = 2.79 [0.110]

Dimensions:

- [PCB Thickness, Recommended](#) (mm [in]) = 1.57

Housing Features:

- [Centerline, Matrix](#) (mm [in]) = 2.54 x 2.54 [.100 x .100]
- [Mating Alignment Type](#) = Center, Dual Polarizing Bar, Military
- [Housing Style](#) = 4-Sided
- [Mating Alignment](#) = With
- [Housing Material](#) = Thermoplastic - GF
- [UL Flammability Rating](#) = UL 94V-0
- [Housing Color](#) = Black

Configuration Features:

- [Number of Positions](#) = 40
- [Shrouded](#) = Yes

Industry Standards:

[U.062]

Body Features:

- [Header Type](#) = Universal Ejection Pin Headers

Contact Features:

- [Contact Plating, Mating Area, Material](#) = Gold (30), Gold Flash over Palladium Nickel
- Contact Shape = Square
- Contact Base Material = Phosphor Bronze
- Solder Tail Contact Plating = Tin over Nickel

- [RoHS/ELV Compliance](#) = RoHS compliant, ELV compliant
- [Lead Free Solder Processes](#) = Wave solder capable to 240°C, Wave solder capable to 260°C, Wave solder capable to 265°C
- [RoHS/ELV Compliance History](#) = Always was RoHS compliant

Conditions for Usage:

- [Temperature Rating](#) = Standard

Other:

- Brand = AMP

Corporate Information

- [About TE](#)
- [Investors](#)
- [News Room](#)
- [Supplier Portal](#)
- [Careers](#)
- [Terms & Conditions](#)
- [Privacy Policy](#)

Quick Links

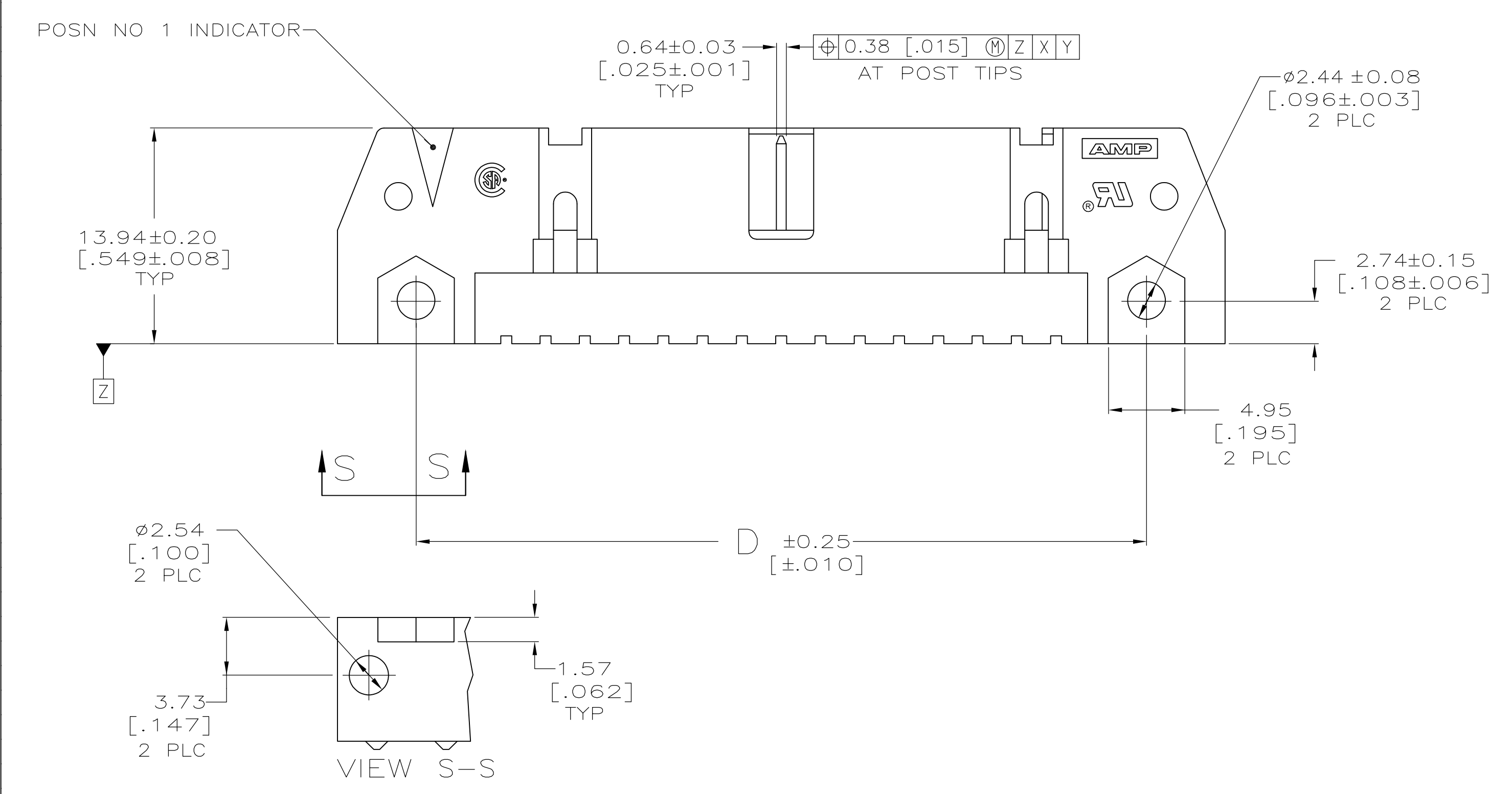
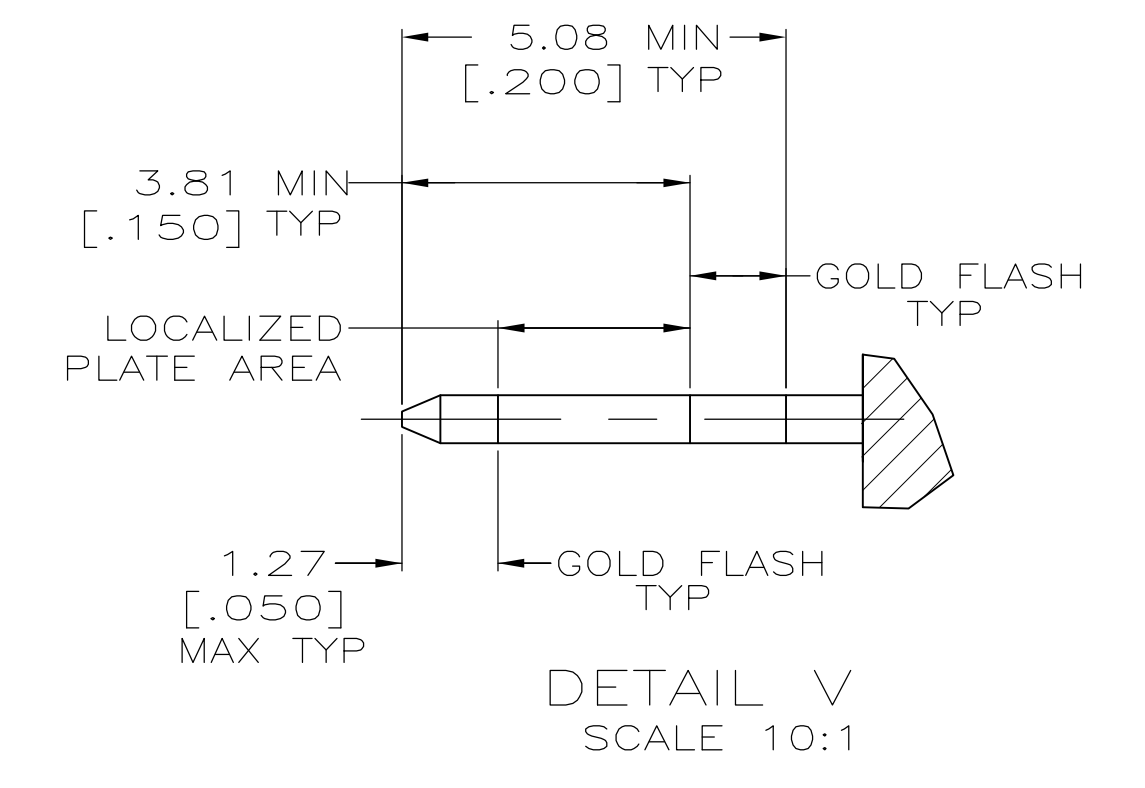
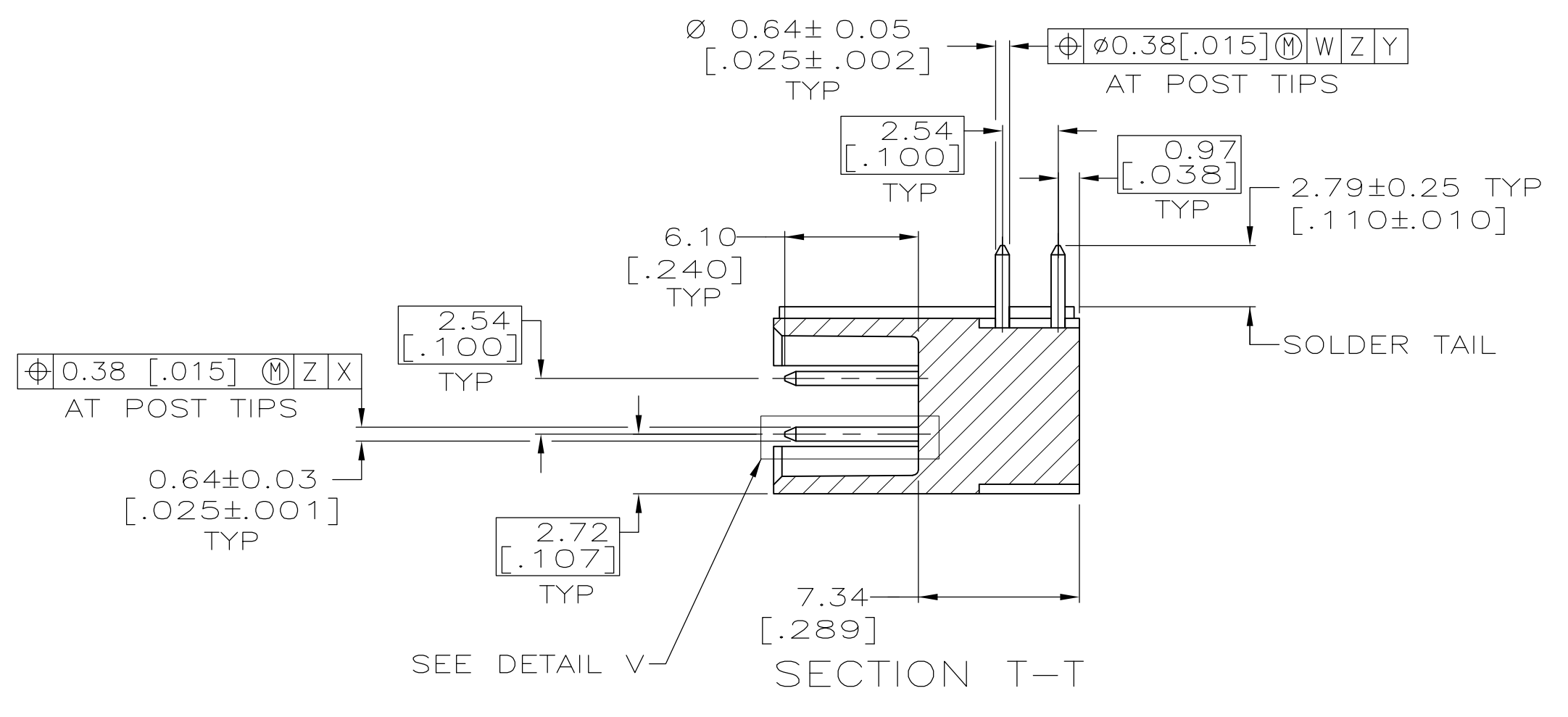
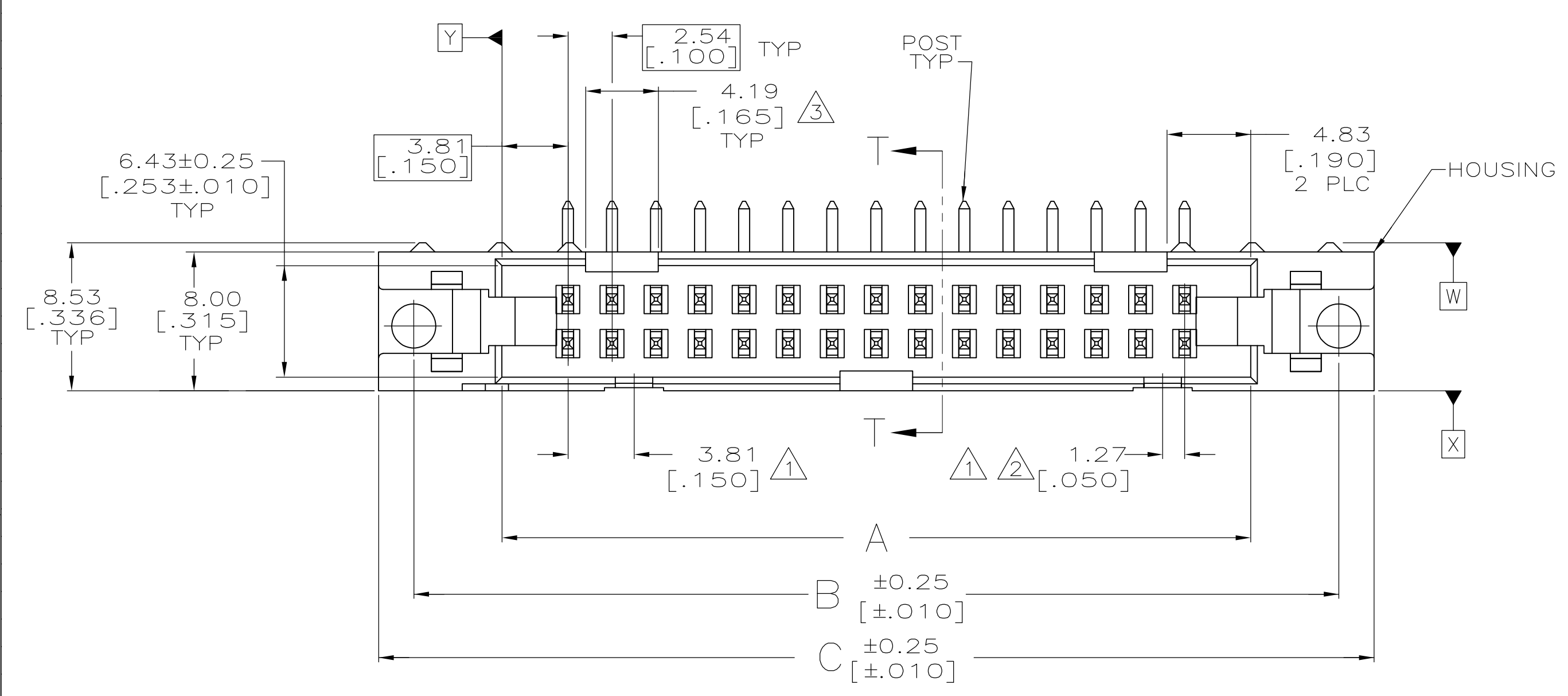
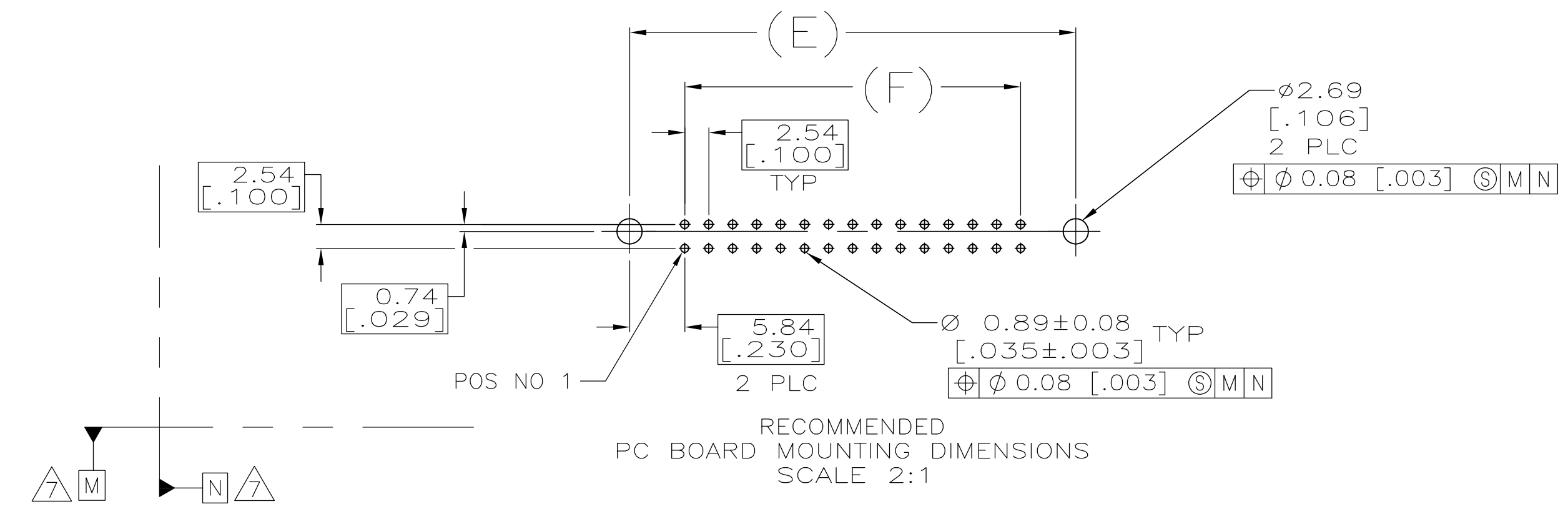
- [Distributor Inventory](#)
- [Product Cross Reference](#)
- [Documents & Drawings](#)
- [Product Compliance Support Center](#)
- [Site Map](#)

Customer Support

- [Email or Chat With Us](#)
- [Find a Phone Number](#)
- [Knowledge Base](#)
- [Manage Your Account](#)

Keep Me Informed





SEE SHEET 2 FOR TABLE & NOTES

THIS DRAWING IS A CONTROLLED DOCUMENT. DIMENSIONING AND TOLERANCING PER ASME Y14.5M-2009		DWG: G ATTADIA - DOCKS 01-06-05	TE Connectivity	
DIMENSIONS: mm (INCHES)		CHK: S BOLASH 01-06-05	NAME: M WALMSLEY 01-06-05	
TOLERANCES UNLESS OTHERWISE SPECIFIED:		PRODUCT SPEC: 108-40018		
0 PLC ± -	1 PLC ± -	APPLICATION SPEC: -		
2 PLC ± 0.13[.005]	3 PLC ± -	SIZE: A1	CAGE CODE: 00779	DRAWING NO: 5102160
4 PLC ± -	ANGLES ± -	WEIGHT: -	SCALE: 4:1	SHEET: 1 OF 2
MATERIAL: 5	FINISH: 6	CUSTOMER DRAWING		REV: G

- ① COORDINATE DIMENSION APPLIES FROM BASIC LOCATION.
- ② 10 AND 14 POSITION SIZES CONTAIN ONLY ONE SLOT FOR SNAP-IN POLARIZER (MILITARY POLARIZATION) LOCATED AS SHOWN.
- ③ 10 POSITION SIZE CONTAINS ONLY ONE SLOT FOR DUAL POLARIZATION, LOCATED AS SHOWN.
- 4. RECOMMENDED PRINTED CIRCUIT BOARD THICKNESS IS 1.57 [.062].
- ④ MATERIAL:
HOUSING: GLASS FILLED NYLON OR POLYESTER, UL94V-0 RATED, SEE TABLE FOR COLOR.
POSTS: BRASS
- ⑤ FINISH:
POSTS: GOLD FLASH OVER PALLADIUM-NICKEL PLATE, 0.76μm[.000030] MIN TOTAL ON THE LOCALIZED PLATE AREA, 2.54μm[.000100] MIN TIN PLATE ON THE SOLDER-TAIL, 1.27μm[.000050] MIN NICKEL UNDERPLATE ON THE ENTIRE POST.
-OR-
0.76μm[.000030] MIN GOLD PLATE ON THE LOCALIZED PLATE AREA, 2.54μm[.000100] MIN TIN PLATE ON THE SOLDER-TAIL, 1.27μm[.000050] MIN NICKEL UNDERPLATE ON THE ENTIRE POST.
- ⑥ DATUMS M & N TO BE ESTABLISHED BY CUSTOMER.

	BLUE	78.74 [3.100]	90.42 [3.560]	90.42 [3.560]	100.58 [3.960]	96.52 [3.800]	86.36 [3.400]	64	3-5102160-2
	BLUE	73.66 [2.900]	85.34 [3.360]	85.34 [3.360]	95.50 [3.760]	91.44 [3.600]	81.28 [3.200]	60	3-5102160-1
OBSOLETE	BLUE	60.96 [2.400]	72.64 [2.860]	72.64 [2.860]	82.80 [3.260]	78.74 [3.100]	68.58 [2.700]	50	3-5102160-0
OBSOLETE	BLUE	48.26 [1.900]	59.94 [2.360]	59.94 [2.360]	70.10 [2.760]	66.04 [2.600]	55.88 [2.200]	40	2-5102160-9
OBSOLETE	BLUE	40.64 [1.600]	52.32 [2.060]	52.32 [2.060]	62.48 [2.460]	58.42 [2.300]	48.26 [1.900]	34	2-5102160-8
	BLUE	30.48 [1.200]	42.16 [1.660]	42.16 [1.660]	52.32 [2.060]	48.26 [1.900]	38.10 [1.500]	26	2-5102160-6
	BLUE	22.86 [.900]	34.54 [1.360]	34.54 [1.360]	44.70 [1.760]	40.64 [1.600]	30.48 [1.200]	20	2-5102160-4
OBSOLETE	BLUE	17.78 [.700]	29.46 [1.160]	29.46 [1.160]	39.62 [1.560]	35.56 [1.400]	25.40 [1.000]	16	2-5102160-3
	BLUE	15.24 [.600]	26.92 [1.060]	26.92 [1.060]	37.08 [1.460]	33.02 [1.300]	22.86 [.900]	14	2-5102160-2
	BLUE	10.16 [.400]	21.84 [.860]	21.84 [.860]	32.00 [1.260]	27.94 [1.100]	17.78 [.700]	10	2-5102160-1
	BLACK	78.74 [3.100]	90.42 [3.560]	90.42 [3.560]	100.58 [3.960]	96.52 [3.800]	86.36 [3.400]	64	1-5102160-2
	BLACK	73.66 [2.900]	85.34 [3.360]	85.34 [3.360]	95.50 [3.760]	91.44 [3.600]	81.28 [3.200]	60	1-5102160-1
	BLACK	60.96 [2.400]	72.64 [2.860]	72.64 [2.860]	82.80 [3.260]	78.74 [3.100]	68.58 [2.700]	50	1-5102160-0
	BLACK	48.26 [1.900]	59.94 [2.360]	59.94 [2.360]	70.10 [2.760]	66.04 [2.600]	55.88 [2.200]	40	5102160-9
	BLACK	40.64 [1.600]	52.32 [2.060]	52.32 [2.060]	62.48 [2.460]	58.42 [2.300]	48.26 [1.900]	34	5102160-8
OBSOLETE	BLACK	35.56 [1.400]	47.24 [1.860]	47.24 [1.860]	57.40 [2.260]	53.34 [2.100]	43.18 [1.700]	30	5102160-7
	BLACK	30.48 [1.200]	42.16 [1.660]	42.16 [1.660]	52.32 [2.060]	48.26 [1.900]	38.10 [1.500]	26	5102160-6
	BLACK	27.94 [1.100]	39.62 [1.560]	39.62 [1.560]	49.78 [1.960]	45.72 [1.800]	35.56 [1.400]	24	5102160-5
	BLACK	22.86 [.900]	34.54 [1.360]	34.54 [1.360]	44.70 [1.760]	40.64 [1.600]	30.48 [1.200]	20	5102160-4
	BLACK	17.78 [.700]	29.46 [1.160]	29.46 [1.160]	39.62 [1.560]	35.56 [1.400]	25.40 [1.000]	16	5102160-3
	BLACK	15.24 [.600]	26.92 [1.060]	26.92 [1.060]	37.08 [1.460]	33.02 [1.300]	22.86 [.900]	14	5102160-2
	BLACK	10.16 [.400]	21.84 [.860]	21.84 [.860]	32.00 [1.260]	27.94 [1.100]	17.78 [.700]	10	5102160-1
HOUSING AND LATCHES COLOR		F	E	D	C	B	A	NO OF POSN	PART NUMBER

THIS DRAWING IS A CONTROLLED DOCUMENT. DIMENSIONING AND TOLERANCING PER ASME Y14.5M-2009		DIN G ATTADIA - 01-06-05 CIRK S DOCKS 01-06-05		STE TE Connectivity	
DIMENSIONS: INCHES		TOLERANCES UNLESS OTHERWISE SPECIFIED:		APVD M WALMSLEY 01-06-05 NAME	
0 PLC ± - 1 PLC ± - 2 PLC ± 0.13[.005] 3 PLC ± - 4 PLC ± - ANGLES ± -		PRODUCT SPEC 108-40018		APPLICATION SPEC	
MATERIAL ⑤		FINISH ⑥		SIZE CASE CODE DRAWING NO RESTRICTED TO	
				A1 00779 5102160	
CUSTOMER DRAWING		SCALE 4:1		SHEET 2 OF 2 REV G	