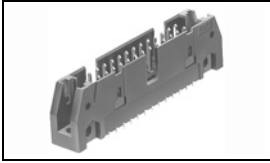


## 5102154-6 Product Details

[Share](#) [Print](#) [Email](#)



**5102154-6**

TE Internal Number: 5102154-6

Active

[View 3D PDF](#)

### AMP-LATCH Pin and Pinless Headers

Always EU RoHS/ELV Compliant (Statement of Compliance)

#### Product Highlights:

- Header
- Header Type = Universal Ejection Pin Headers
- AMP-LATCH Product Line
- Standard Profile
- 26 Positions

[View all Features](#)

### Quick Links

- ▶ [Pricing & Availability](#)
- ▶ [Search for Tooling](#)
- ▶ [View Mating Products \(5\)](#)
- ▶ [Product Feature Selector](#)
- ▶ [Contact Us About This Product](#)

[Add to My Part List](#)

[Request Sample](#)

[Find Similar Products](#)

[Buy Product](#)

### Documentation & Additional Information

#### Product Drawings:

- [HEADER ASSY, UNIVERSAL, AMP-LATCH \(PDF, English\)](#)

#### Catalog Pages/Data Sheets:

- [AMPMODU\\_INTERCONNECTION\\_SYSTEM\\_SECTION5 \(PDF, English\)](#)
- [Ribbon Cable Interconnect Solutions \(PDF, English\)](#)

#### Product Specifications:

- [AMP-LATCH and IDC Header Connectors, .100 x .100 Inc... \(PDF, English\)](#)

#### Application Specifications:

- None Available

#### Instruction Sheets:

- None Available

#### CAD Files: (CAD Format & Compression Information)

- [2D Drawing \(DXF, Version B\)](#)
- [3D Model \(IGES, Version B\)](#)
- [3D Model \(STEP, Version B\)](#)

[List all Documents](#)

#### Additional Information:

- [Product Line Information](#)

#### Related Products:

- [Tooling](#)
- [Mating Products \(5\)](#)

### Product Features (Please use the Product Drawing for all design activity)

#### Product Type Features:

- Connector Type = Header
- Product Line = AMP-LATCH
- Profile = Standard
- PCB Mounting Orientation = Vertical
- PCB Mount Retention = Without
- Mating Connector Lock = Without
- Ejection Latches = Without
- Post Size (mm [in]) = 0.64 [.025]
- Shrouded = Yes

#### Termination Features:

- Termination Post Length (mm [in]) = 2.79 [0.110]
- Solder Tail Contact Plating = Tin over Nickel

#### Dimensions:

- PCB Thickness, Recommended (mm [in]) = 1.57 [0.062]

#### Body Features:

- Header Type = Universal Ejection Pin Headers

#### Contact Features:

- Contact Plating, Mating Area, Material = Gold (30), Gold Flash over Palladium Nickel
- Contact Shape = Square

#### Housing Features:

- Centerline, Matrix (mm [in]) = 2.54 x 2.54 [.100 x .100]
- Mating Alignment Type = Center, Dual Polarizing Bar, Military
- Housing Style = 4-Sided
- Mating Alignment = With
- Housing Material = Thermoplastic - GF
- UL Flammability Rating = UL 94V-0
- Housing Color = Black

#### Configuration Features:

- Number of Positions = 26

#### Industry Standards:

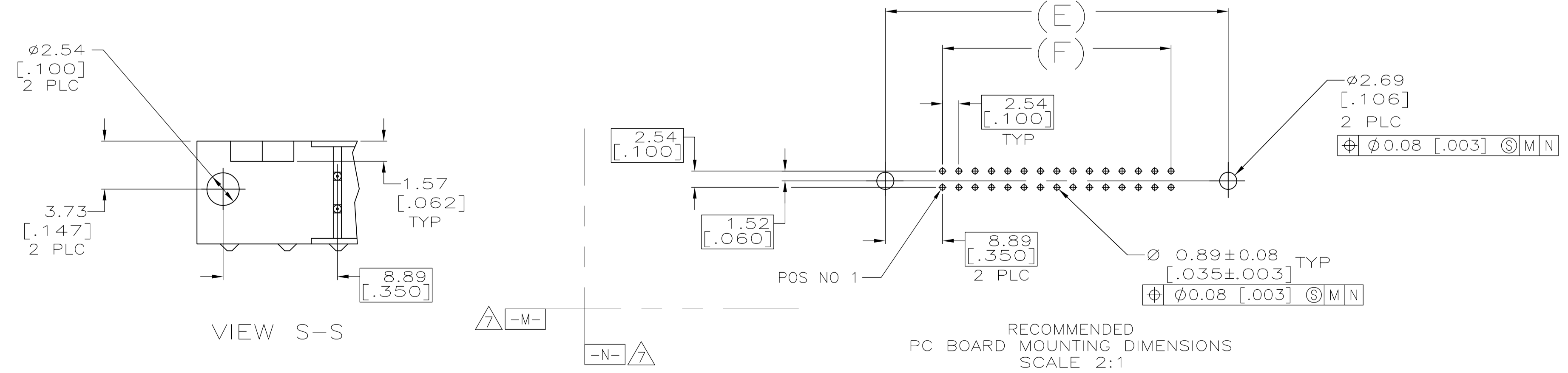
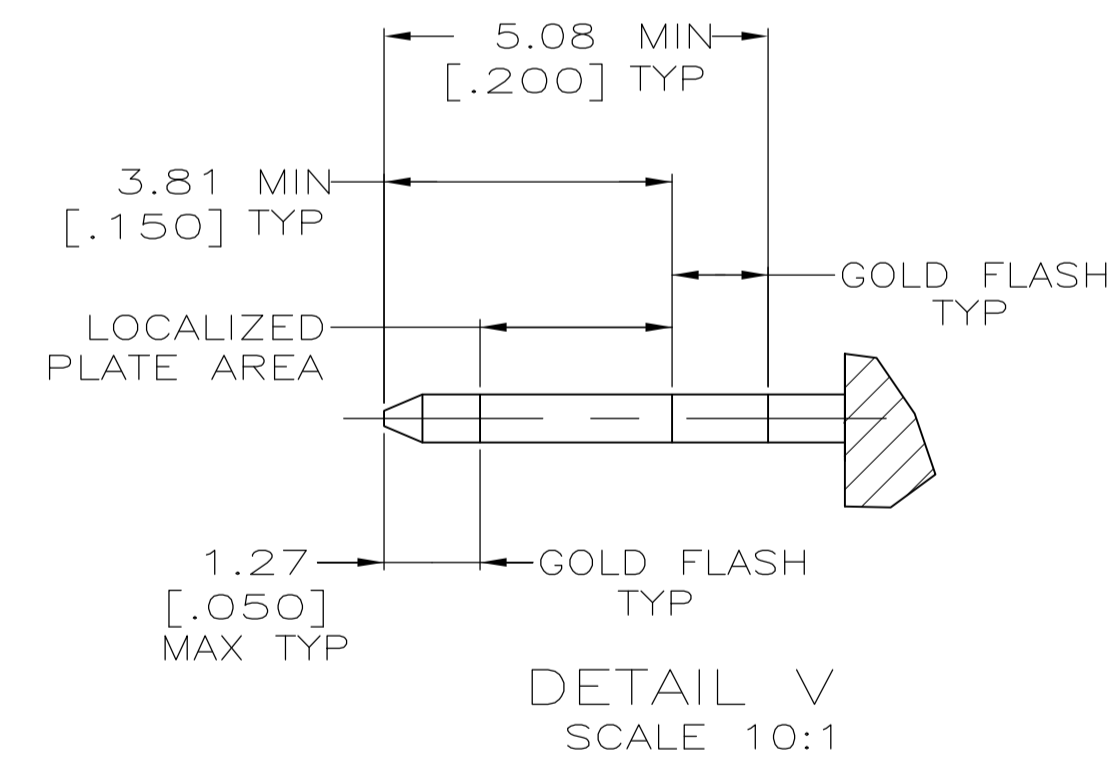
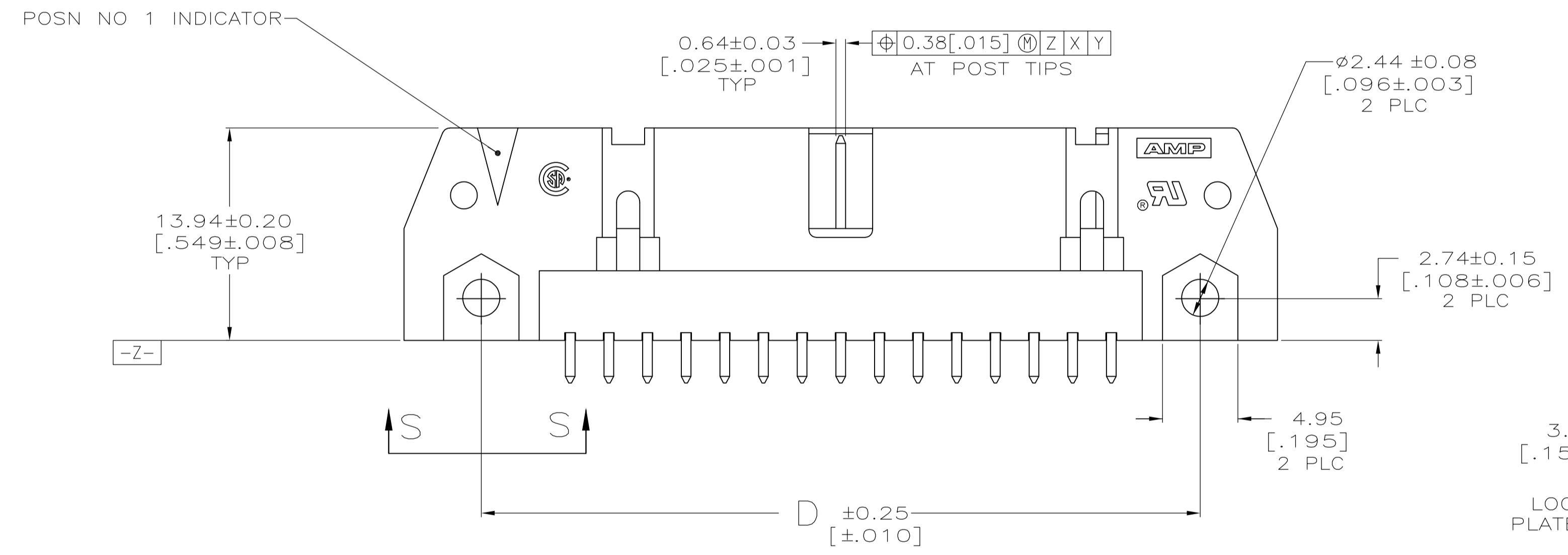
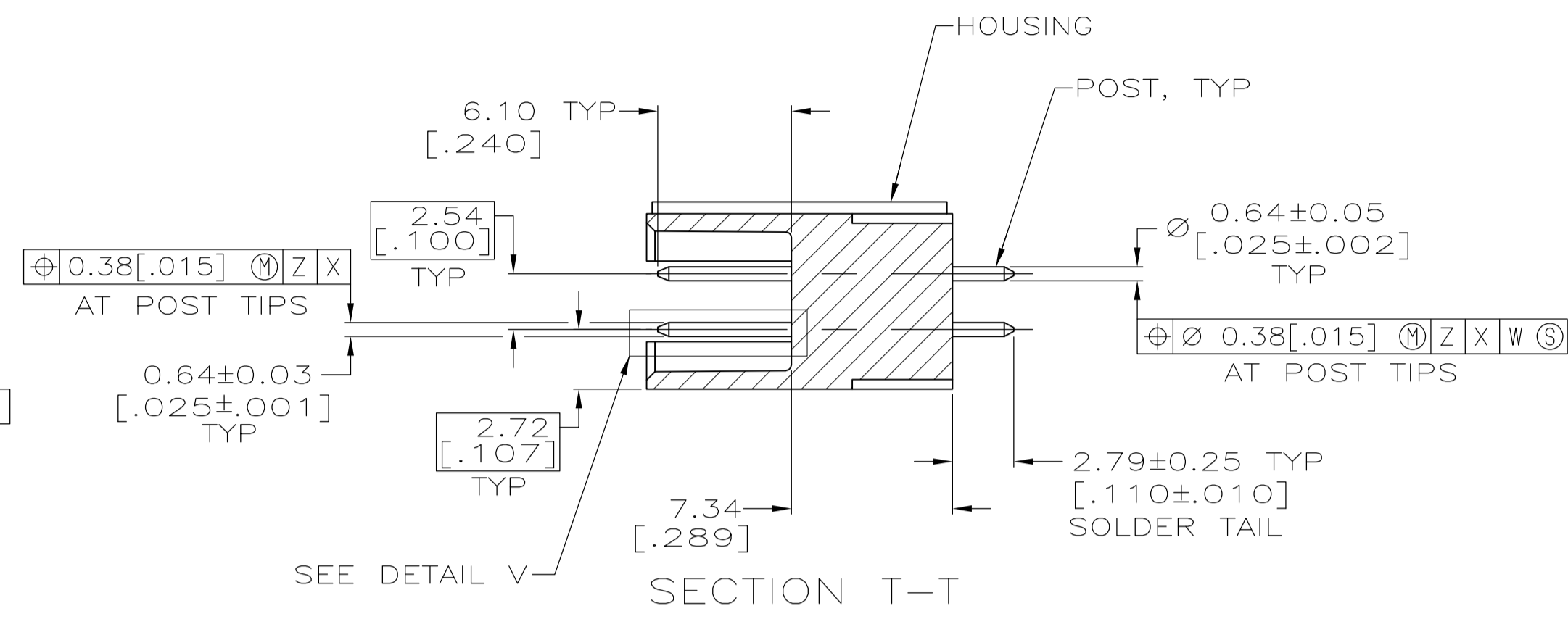
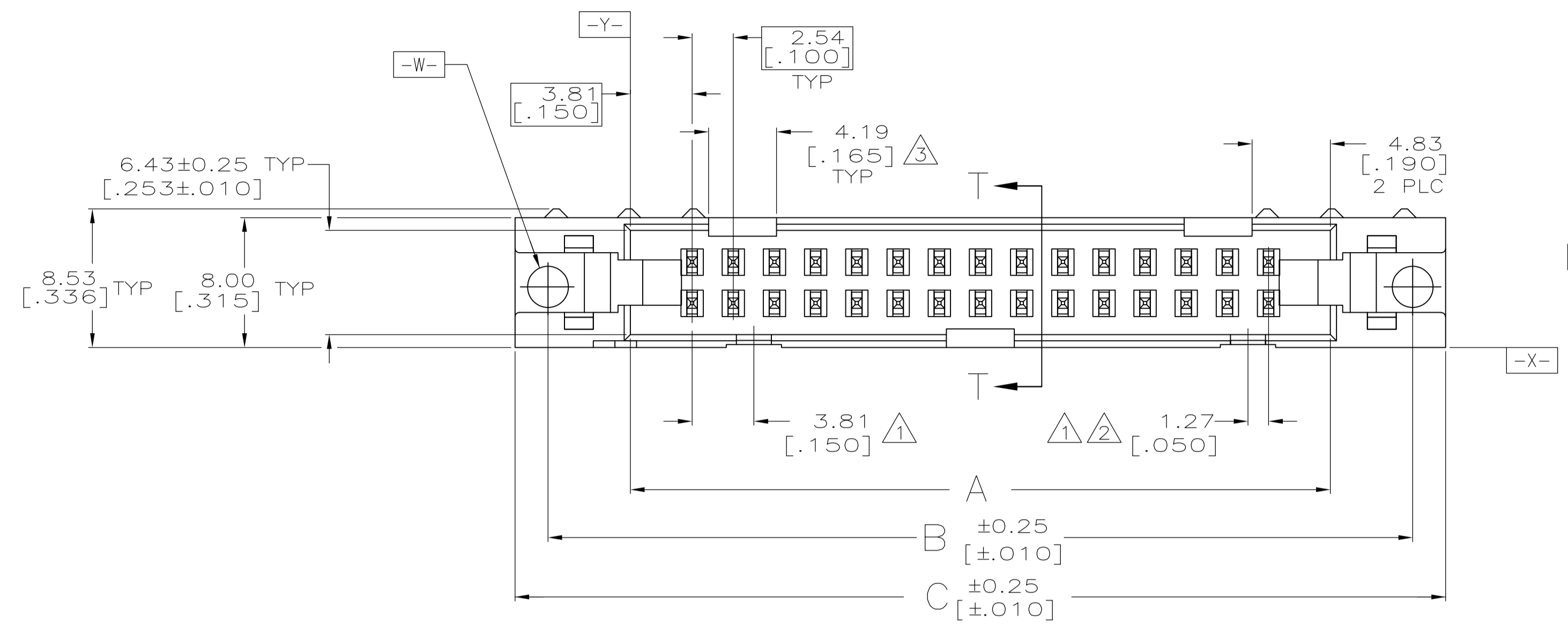
- RoHS/ELV Compliance = RoHS compliant, ELV compliant
- Lead Free Solder Processes = Wave solder capable to 240°C, Wave solder capable to 260°C, Wave solder capable to 265°C
- RoHS/ELV Compliance History = Always was RoHS compliant

#### Conditions for Usage:

- Temperature Rating = Standard

#### Other:

- Brand = AMP



SEE SHEET 2 FOR TABLE & NOTES

THIS DRAWING IS A CONTROLLED DOCUMENT.		DIN G. ATTADIA - 01-06-05	 TE Connectivity
DIMENSIONS: mm (INCHES)		CHK S. BOLASH 01-06-05	
TOLERANCES UNLESS OTHERWISE SPECIFIED:		APP'D M. WALMSLEY 01-06-05	NAME
0 PLC ± -			HEADER ASSY, UNIVERSAL, AMP-LATCH
1 PLC ± -			PRODUCT SPEC
2 PLC ± 0.13[.005]			108-40018
3 PLC ± -			APPLICATION SPEC
4 PLC ± -			
ANGLES ± -			
MATERIAL	FINISH	SIZE	CAGE CODE
		A1	00779
		WEIGHT	DRAWING NO
			5102154
		CUSTOMER DRAWING	SCALE
			4:1
		SHEET	1 OF 2
		REV	D1

- ① COORDINATE DIMENSION APPLIES FROM BASIC LOCATION.
- ② 10 AND 14 POSITION SIZES CONTAIN ONLY ONE SLOT FOR SNAP-IN POLARIZER (MILITARY POLARIZATION) LOCATED AS SHOWN.
- ③ 10 POSITION SIZE CONTAINS ONLY ONE SLOT FOR DUAL POLARIZATION, LOCATED AS SHOWN.
- 4. RECOMMENDED PRINTED CIRCUIT BOARD THICKNESS IS 1.57 [.062]
- ⑤ MATERIAL:  
HOUSING: GLASS FILLED NYLON OR POLYESTER, UL94V-0 RATED, SEE TABLE FOR COLOR.  
POSTS: PHOS BRONZE OR BRASS
- ⑥ FINISH:  
POSTS: GOLD FLASH OVER PALLADIUM-NICKEL PLATE, 0.76μm[.000030] MIN TOTAL ON THE LOCALIZED PLATE AREA, 2.54μm[.000100] MIN TIN PLATE ON THE TAIL, 1.27μm[.000050] MIN NICKEL UNDERPLATE ON THE ENTIRE POST.  
-OR-  
0.76μm[.000030] MIN GOLD PLATE ON THE LOCALIZED PLATE AREA, 2.54μm[.000100] MIN TIN PLATE ON THE TAIL, 1.27μm[.000050] MIN NICKEL UNDERPLATE ON THE ENTIRE POST.  
⑦ DATUMS -M- & -N- TO BE ESTABLISHED BY CUSTOMER.

HOUSING COLOR	F	E	D	C	B	A	NO OF POSN	PART NUMBER
OBSOLETE	BLACK	53.34 [2.100]	71.12 [2.800]	65.02 [2.560]	75.18 [2.960]	71.12 [2.800]	60.96 [2.400]	44 3-5102154-3
OBSOLETE	BLUE	78.74 [3.100]	96.52 [3.800]	90.42 [3.560]	100.58 [3.960]	96.52 [3.800]	86.36 [3.400]	64 3-5102154-2
OBSOLETE	BLUE	73.66 [2.900]	91.44 [3.600]	85.34 [3.360]	95.50 [3.760]	91.44 [3.600]	81.28 [3.200]	60 3-5102154-1
	BLUE	60.96 [2.400]	78.74 [3.100]	72.64 [2.860]	82.80 [3.260]	78.74 [3.100]	68.58 [2.700]	50 3-5102154-0
	BLUE	48.26 [1.900]	66.04 [2.600]	59.94 [2.360]	70.10 [2.760]	66.04 [2.600]	55.88 [2.200]	40 2-5102154-9
OBSOLETE	BLUE	40.64 [1.600]	58.42 [2.300]	52.32 [2.060]	62.48 [2.460]	58.42 [2.300]	48.26 [1.900]	34 2-5102154-8
	BLUE	35.56 [1.400]	53.34 [2.100]	47.24 [1.860]	57.40 [2.260]	53.34 [2.100]	43.18 [1.700]	30 2-5102154-7
	BLUE	30.48 [1.200]	48.26 [1.900]	42.16 [1.660]	52.32 [2.060]	48.26 [1.900]	38.10 [1.500]	26 2-5102154-6
	BLUE	22.86 [.900]	40.64 [1.600]	34.54 [1.360]	44.70 [1.760]	40.64 [1.600]	30.48 [1.200]	20 2-5102154-4
	BLUE	17.78 [.700]	35.56 [1.400]	29.46 [1.160]	39.62 [1.560]	35.56 [1.400]	25.40 [1.000]	16 2-5102154-3
	BLUE	15.24 [.600]	33.02 [1.300]	26.92 [1.060]	37.08 [1.460]	33.02 [1.300]	22.86 [.900]	14 2-5102154-2
	BLUE	10.16 [.400]	27.94 [1.100]	21.84 [.860]	32.00 [1.260]	27.94 [1.100]	17.78 [.700]	10 2-5102154-1
OBSOLETE	BLACK	53.34 [2.100]	71.12 [2.800]	65.02 [2.560]	75.18 [2.960]	71.12 [2.800]	60.96 [2.400]	44 1-5102154-3
	BLACK	78.74 [3.100]	96.52 [3.800]	90.42 [3.560]	100.58 [3.960]	96.52 [3.800]	86.36 [3.400]	64 1-5102154-2
	BLACK	73.66 [2.900]	91.44 [3.600]	85.34 [3.360]	95.50 [3.760]	91.44 [3.600]	81.28 [3.200]	60 1-5102154-1
	BLACK	60.96 [2.400]	78.74 [3.100]	72.64 [2.860]	82.80 [3.260]	78.74 [3.100]	68.58 [2.700]	50 1-5102154-0
	BLACK	48.26 [1.900]	66.04 [2.600]	59.94 [2.360]	70.10 [2.760]	66.04 [2.600]	55.88 [2.200]	40 5102154-9
	BLACK	40.64 [1.600]	58.42 [2.300]	52.32 [2.060]	62.48 [2.460]	58.42 [2.300]	48.26 [1.900]	34 5102154-8
	BLACK	35.56 [1.400]	53.34 [2.100]	47.24 [1.860]	57.40 [2.260]	53.34 [2.100]	43.18 [1.700]	30 5102154-7
	BLACK	30.48 [1.200]	48.26 [1.900]	42.16 [1.660]	52.32 [2.060]	48.26 [1.900]	38.10 [1.500]	26 5102154-6
	BLACK	27.94 [1.100]	45.72 [1.800]	39.62 [1.560]	49.78 [1.960]	45.72 [1.800]	35.56 [1.400]	24 5102154-5
	BLACK	22.86 [.900]	40.64 [1.600]	34.54 [1.360]	44.70 [1.760]	40.64 [1.600]	30.48 [1.200]	20 5102154-4
	BLACK	17.78 [.700]	35.56 [1.400]	29.46 [1.160]	39.62 [1.560]	35.56 [1.400]	25.40 [1.000]	16 5102154-3
	BLACK	15.24 [.600]	33.02 [1.300]	26.92 [1.060]	37.08 [1.460]	33.02 [1.300]	22.86 [.900]	14 5102154-2
	BLACK	10.16 [.400]	27.94 [1.100]	21.84 [.860]	32.00 [1.260]	27.94 [1.100]	17.78 [.700]	10 5102154-1

THIS DRAWING IS A CONTROLLED DOCUMENT.

APPROVED: G. ATTADIA - 01-06-05  
 CHK: S. BOLASH - 01-06-05  
 NAME: M. WALMSLEY - 01-06-05

TE Connectivity

PRODUCT SPEC: 108-40018

APPLICATION SPEC: -

SIZE: A1

WEIGHT: -

CUSTOMER DRAWING

SCALE: -

SHEET 2 OF 2

REV D1