



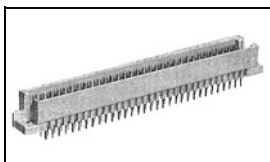
Have a Question?
 Chat with a Product
 Information Specialist

What can we help you find?

[Products](#) [Industries](#) [Resources](#) [About TE](#) [My Account](#) [Innovation](#) [Support Center](#)

5650908-5 Product Details

[Share](#) [Print](#) [Email](#)



5650908-5

TE Internal Number: 5650908-5

Active

[View 3D PDF](#)

Eurocard Type R

Always EU RoHS/ELV Compliant (Statement of Compliance)

Product Highlights:

- Connector Style = Plug
- 96 Positions
- PCB Mounting Orientation = Vertical
- Without PCB Mount Retention
- Post Type = Solder Post

[View all Features](#)

Quick Links

- ▶ [Pricing & Availability](#)
- ▶ [Search for Tooling](#)
- ▶ [View Mating Products \(5\)](#)
- ▶ [Product Feature Selector](#)
- ▶ [Contact Us About This Product](#)

[Add to My Part List](#) [Request Sample](#) [Find Similar Products](#) [Buy Product](#)

Documentation & Additional Information

Product Drawings:

- [ASSEMBLY, PIN, EUROCARD, TYPE R, 96 POSITION, 3.30\[... \(PDF, English\)](#)

Catalog Pages/Data Sheets:

- None Available

Product Specifications:

- None Available

Application Specifications:

- [Eurocard Connectors Types B,C,M,Q,R, & Enhanced Typ... \(PDF, English\)](#)

Instruction Sheets:

- None Available

CAD Files: (CAD Format & Compression Information)

- [2D Drawing \(DXF, Version 0\)](#)
- [3D Model \(IGES, Version 0\)](#)
- [3D Model \(STEP, Version 0\)](#)

[List all Documents](#)

Additional Information:

- [Product Line Information](#)

Related Products:

- [Tooling](#)
- [Mating Products \(5\)](#)

Product Features (Please use the Product Drawing for all design activity)

Product Type Features:

- [PCB Mounting Orientation](#) = Vertical
- [PCB Mount Retention](#) = Without
- [Post Type](#) = Solder Post
- [Guides](#) = Without
- [Make First / Break Last](#) = No
- [DIN Level](#) = II
- [Flux-Tight Coating](#) = Without
- [Color](#) = Gray

Termination Features:

- [Termination Post Length \(mm \[in\]\)](#) = 3.30 [0.130]
- [Solder Tail Contact Plating](#) = Tin

Contact Features:

- [Contact Cross Section \(mm \[in\]\)](#) = 0.64 [.025] Sq.
- [Contact Base Material](#) = Copper Alloy
- [Contact Plating, Mating Area, Material](#) = DIN 41612 Class 2

Housing Features:

- [Connector Style](#) = Plug
- [Mating Alignment](#) = Without
- [Housing Material](#) = Polymer
- [UL Flammability Rating](#) = UL 94V-0

Configuration Features:

- [Number of Positions](#) = 96
- [Rows Loaded](#) = A, B, C

Industry Standards:

- [RoHS/ELV Compliance](#) = RoHS compliant, ELV compliant
- [Lead Free Solder Processes](#) = Wave solder capable to 240°C, Wave solder capable to 260°C, Wave solder capable to 265°C
- [RoHS/ELV Compliance History](#) = Always was RoHS compliant

Other:

- [Brand](#) = AMP

Corporate Information

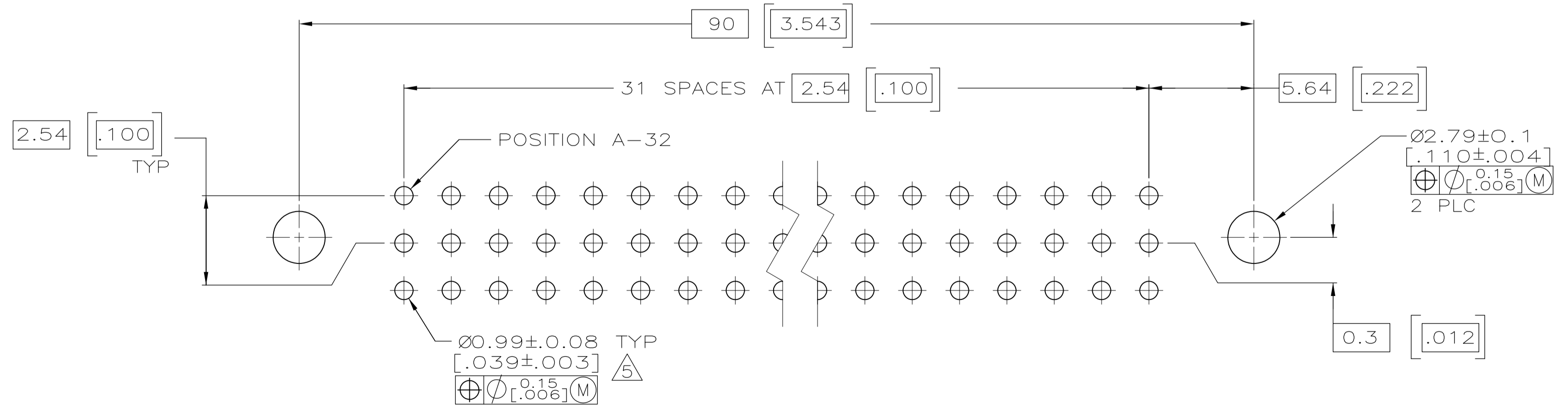
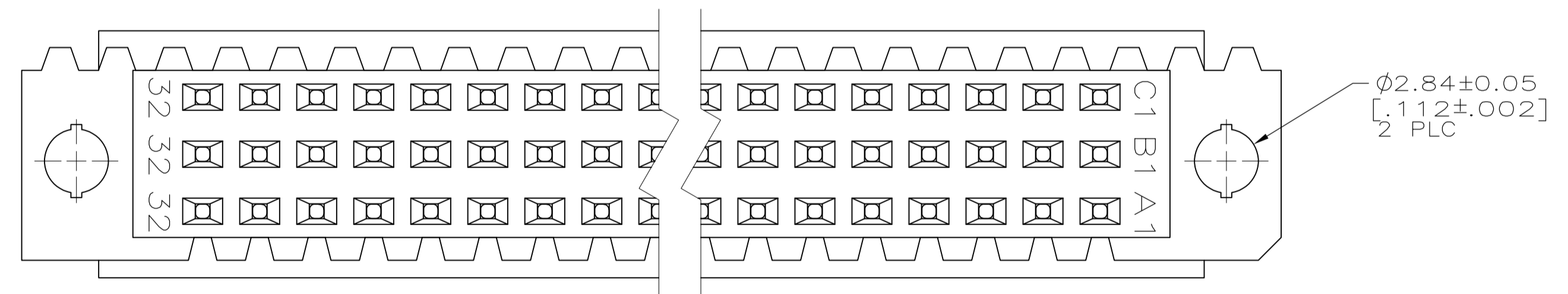
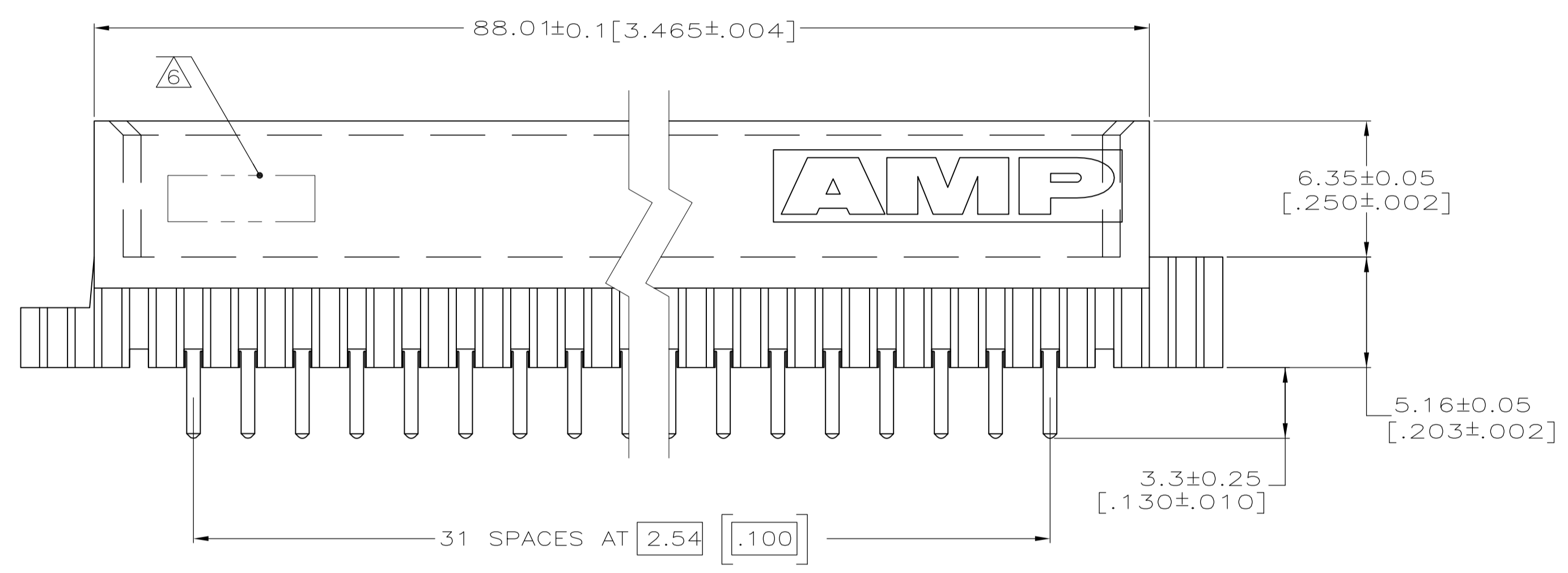
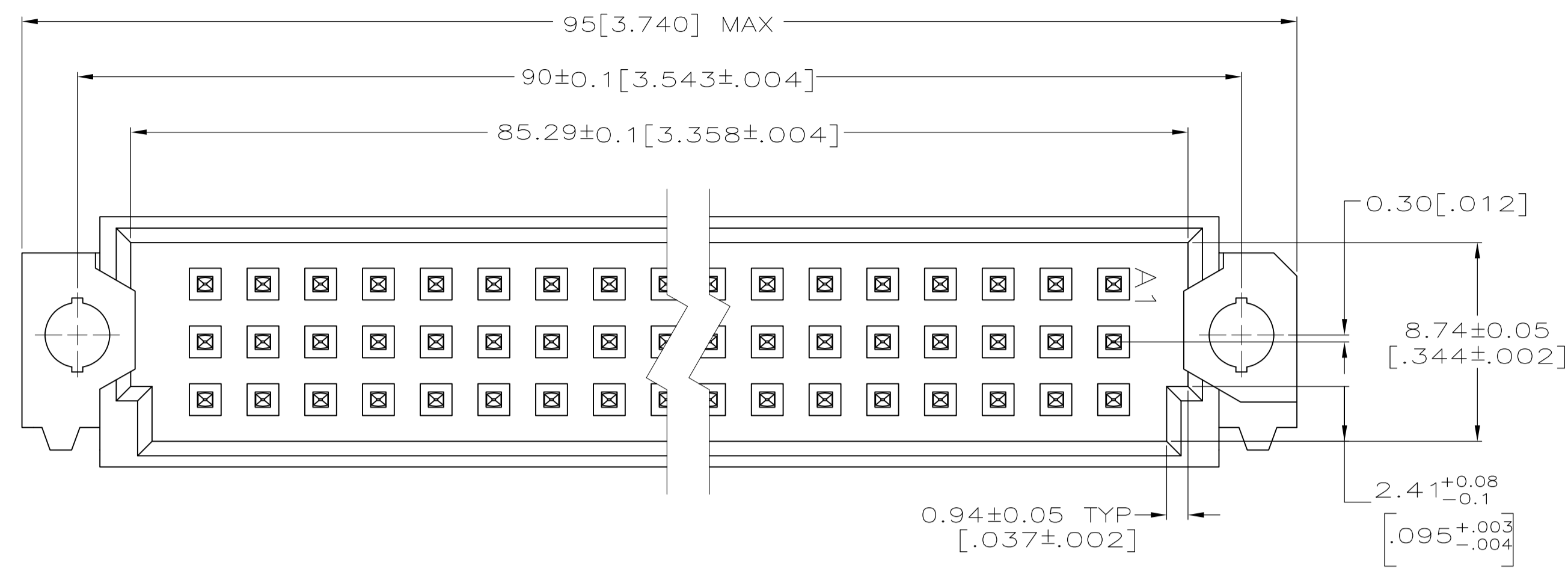
- [About TE](#)
- [Investors](#)
- [News Room](#)
- [Supplier Portal](#)
- [Careers](#)

Quick Links

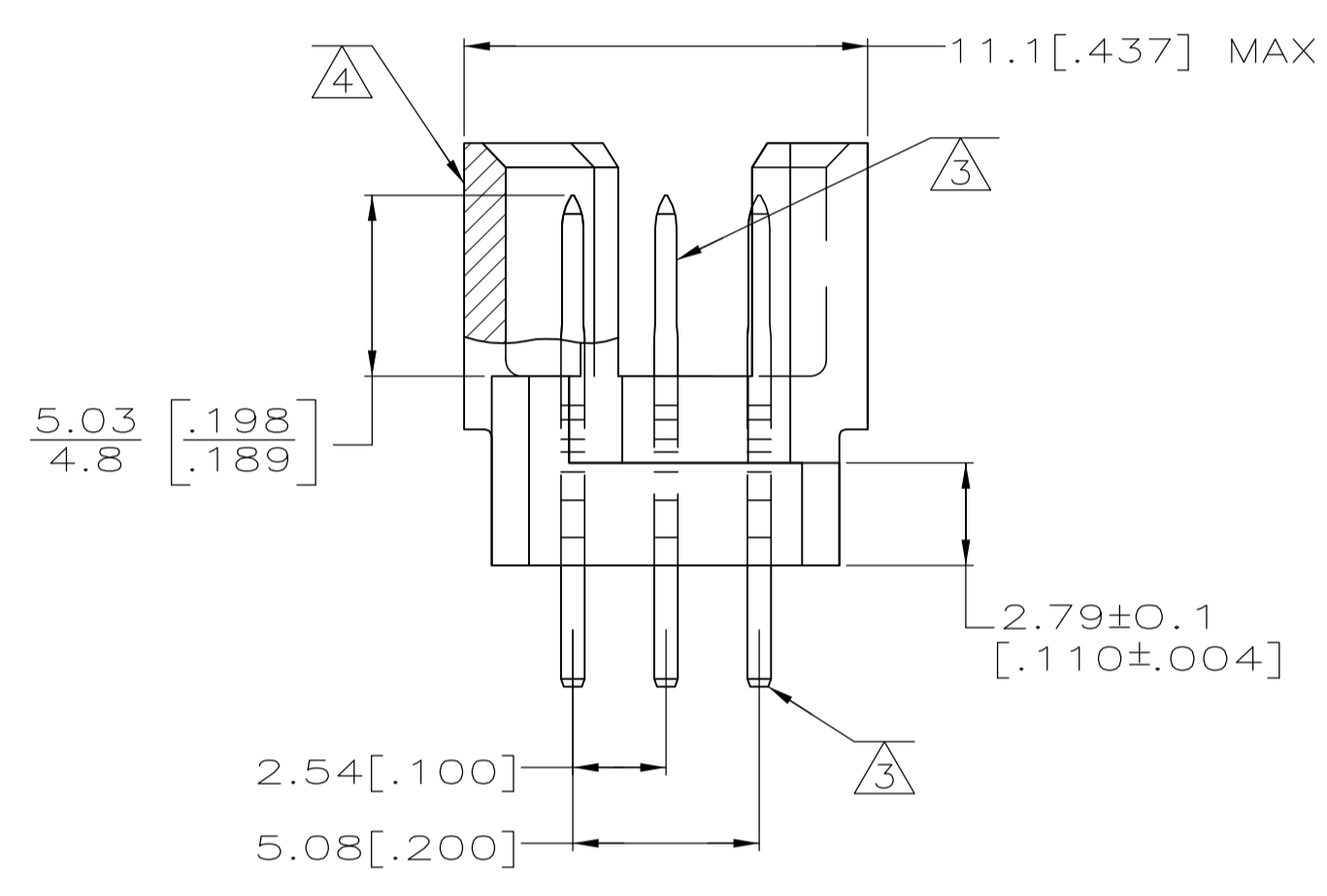
- [Distributor Inventory](#)
- [Product Cross Reference](#)
- [Documents & Drawings](#)
- [Product Compliance Support Center](#)
- [Site Map](#)

Customer Support

- [Email or Chat With Us](#)
- [Find a Phone Number](#)
- [Knowledge Base](#)
- [Manage Your Account](#)



- 1 HOUSING MATERIAL: GLASS-FILLED POLYMER.
- 2 POST MATERIAL: COPPER ALLOY.
- 3 POST FINISH: DIN 41612 CLASS 2 IN CONTACT AREA. TIN PLATE ON POSTS.
- 4 MARKING ON THIS SIDE.
- 5 RECOMMENDED HOLE SIZE FOR MANUAL APPLICATION OF CONNECTOR ONTO PC BOARD.
- 6 PART NUMBER, DATE CODE MARKED THIS APPROXIMATE AREA.



1-32	X	X	X	96	5650908-5
POSITIONS LOADED	C	B	A	NO. OF LOADED POSITION	ASSY PART NUMBER
	ROWS LOADED				

THIS DRAWING IS A CONTROLLED DOCUMENT.		DIN J. POLIGNONE DSMAYOS		APVD A. SHARPE DSMAYOS		NAME	
DIMENSIONS: mm [INCHES]		TOLERANCES UNLESS OTHERWISE SPECIFIED:		PRODUCT SPEC		APPLICATION SPEC	
Ø		0 PLC ± -		1 PLC ± -		2 PLC ± 0.13[.005]	
Ø		3 PLC ± -		4 PLC ± -		ANGLES ± -	
MATERIAL		FINISH		WEIGHT		SIZE	
A1		A1		A1		C=5650908	
CUSTOMER DRAWING		SCALE 5:1		SHEET 1 OF 1		REV P	