

7-146256-0 Product Details

[Share](#) [Print](#) [Email](#)



7-146256-0

TE Internal Number: 7-146256-0

Active

[View 3D PDF](#)

.100 inch AMPMODU Headers

Always EU RoHS/ELV Compliant (Statement of Compliance)

Product Highlights:

- Connector
- Header Type = Breakaway
- 40 Positions
- Mating Post Length = 5.84 mm
- Row-to-Row Spacing = 2.54 mm

[View all Features](#)

Quick Links

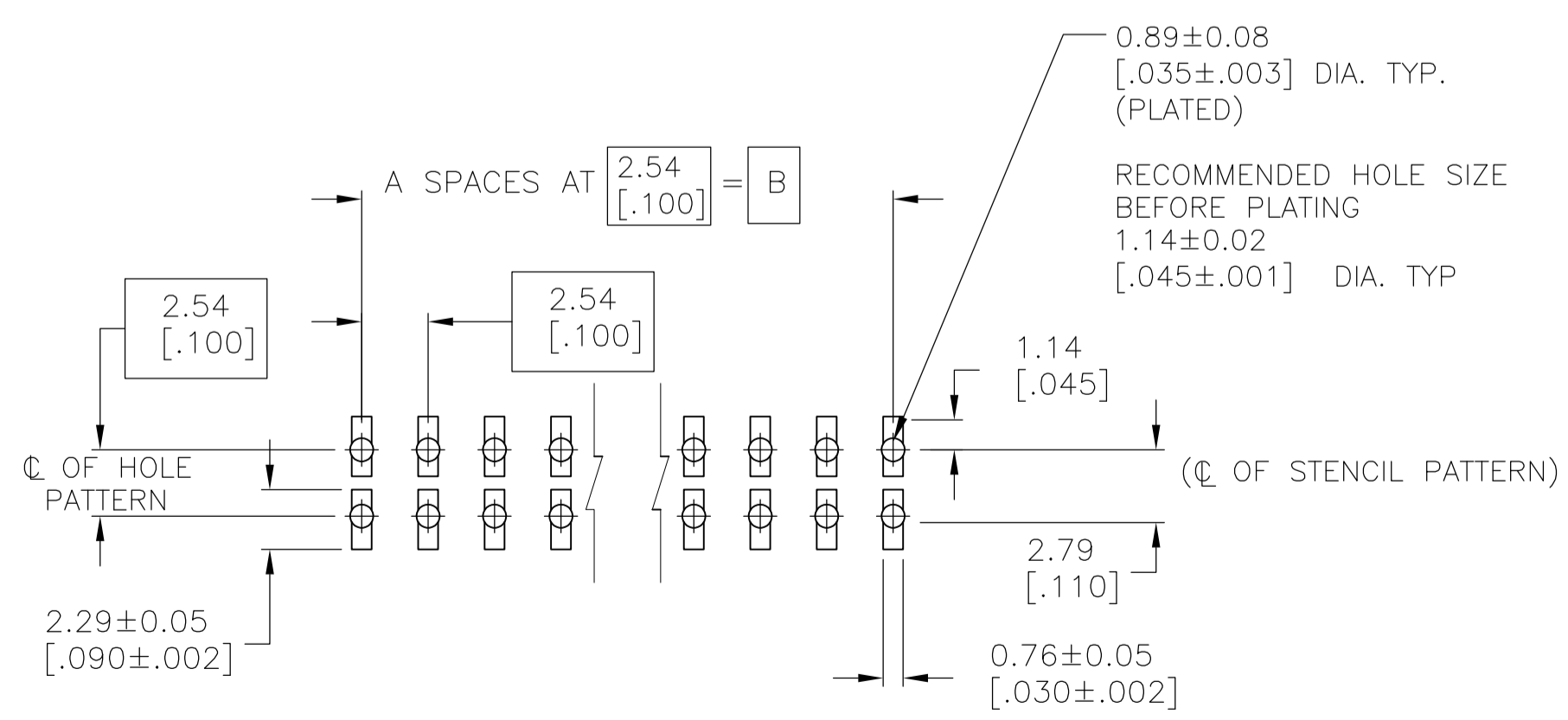
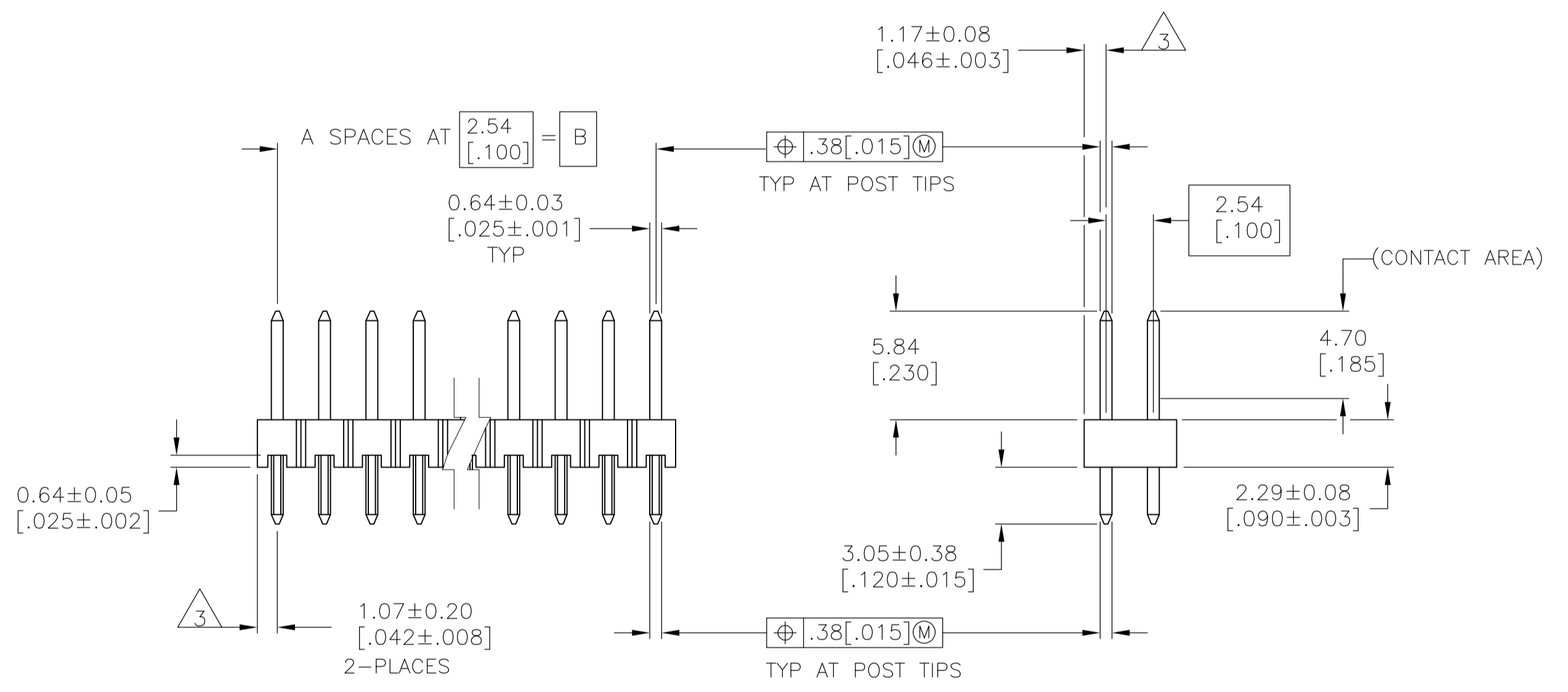
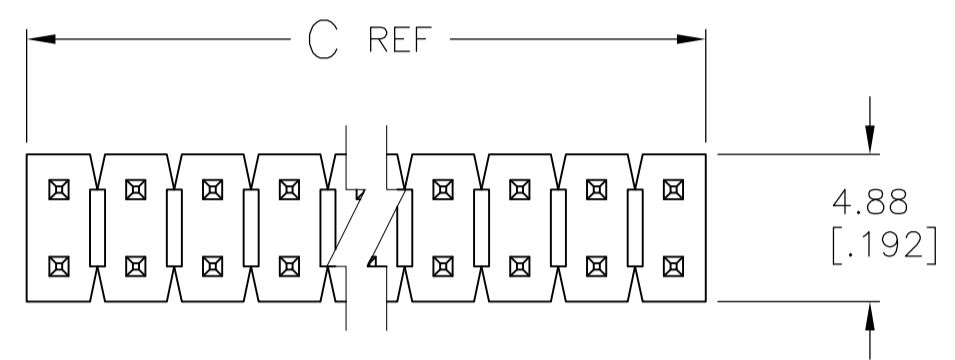
- ▶ [Pricing & Availability](#)
- ▶ [Search for Tooling](#)
- ▶ [Product Feature Selector](#)
- ▶ [Contact Us About This Product](#)

[Add to My Part List](#) [Request Sample](#) [Find Similar Products](#) [Buy Product](#)

Documentation & Additional Information	
<p>Product Drawings:</p> <ul style="list-style-type: none"> • HEADER ASSEMBLY, MOD , BREAKAWAY, DOUBLE ROW, VE... (PDF, English) <p>Catalog Pages/Data Sheets:</p> <ul style="list-style-type: none"> • None Available <p>Product Specifications:</p> <ul style="list-style-type: none"> • None Available <p>Application Specifications:</p> <ul style="list-style-type: none"> • None Available <p>Instruction Sheets:</p> <ul style="list-style-type: none"> • None Available <p>CAD Files: (CAD Format & Compression Information)</p> <ul style="list-style-type: none"> • 2D Drawing (DXF, Version F) • 3D Model (IGES, Version F) • 3D Model (STEP, Version F) 	<p>Additional Information:</p> <ul style="list-style-type: none"> • Product Line Information <p>Related Products:</p> <ul style="list-style-type: none"> • Tooling
List all Documents	

Product Features (Please use the Product Drawing for all design activity)	
<p>Product Type Features:</p> <ul style="list-style-type: none"> • Product Type = Connector • Mount Angle = Vertical • PCB Mount Retention = Without • Surface Mount Compatible = No • Board Standoff = Without • Mating Connector Lock = Without • Breakaway Header = Yes • PCB Mounting Orientation = Vertical • Post Size (mm [in]) = 0.64 [.025] <p>Mechanical Attachment:</p> <ul style="list-style-type: none"> • Mounting Ears = Without • Panel Mount Retention = Without <p>Termination Features:</p> <ul style="list-style-type: none"> • Termination Post Length (mm [in]) = 3.05 [0.120] • Solder Tail Contact Plating = Matte Tin, Matte Tin over Nickel <p>Dimensions:</p> <ul style="list-style-type: none"> • Mating Post Length (mm [in]) = 5.84 [0.230] • PCB Thickness, Recommended (mm [in]) = 1.60 [0.063] <p>Body Features:</p> <ul style="list-style-type: none"> • Header Type = Breakaway • Row-to-Row Spacing (mm [in]) = 2.54 [0.100] • Selectively Loaded = No • Mount Type = Printed Circuit Board 	<p>Contact Features:</p> <ul style="list-style-type: none"> • Contact Plating, Mating Area, Material = Matte Tin • Contact Shape = Square • Contact Base Material = Phosphor Bronze <p>Housing Features:</p> <ul style="list-style-type: none"> • Housing Material = Liquid Crystal Polymer (LCP) • UL Flammability Rating = UL 94V-0 <p>Configuration Features:</p> <ul style="list-style-type: none"> • Number of Positions = 40 • Number of Rows = 2 <p>Industry Standards:</p> <ul style="list-style-type: none"> • RoHS/ELV Compliance = RoHS compliant, ELV compliant • Lead Free Solder Processes = Wave solder capable to 240°C, Wave solder capable to 260°C, Wave solder capable to 265°C, Reflow solder capable to 245°C, Reflow solder capable to 260°C, Pin-in-Paste capable to 245°C, Pin-in-Paste capable to 260°C • RoHS/ELV Compliance History = Always was RoHS compliant <p>Conditions for Usage:</p> <ul style="list-style-type: none"> • High Temperature Housing = Yes • High Temperature Compatible = Yes <p>Operation/Application:</p> <ul style="list-style-type: none"> • High Speed Serial Data Connector = No <p>Other:</p> <ul style="list-style-type: none"> • Brand = TE Connectivity

- ASSEMBLY MAY BE BROKEN TO THE DESIRED NUMBER OF POSITIONS
- TRUE POSITION TOLERANCE OF THE POST TIPS APPLIES WHEN THE HEADER IS HELD FLAT AGAINST THE PRINTED CIRCUIT BOARD
- THE NOTED DIMENSIONS APPLY AT THE INTERSECTION OF THE POST AND HOUSING
- PLATING: 0.000381 [.000015] GOLD ON CONTACT AREA, .00254-0.00508 [.0000100-.0000200] MATTE TIN-LEAD ON SOLDER TAIL, ALL OVER 0.00127 [.000050] NICKEL.
- HOUSING: LCP, COLOR-BLACK. POST: PHOSPHOR BRONZE
- PLATING: 0.000381 [.000015] GOLD ON CONTACT AREA, .00254-0.00508 [.0000100-.0000200] MATTE TIN ON SOLDER TAIL, ALL OVER 0.00127 [.000050] NICKEL.
- OBSOLETE PARTS: OBSOLETE CIS STREAMLINING PER D.RENAUD/D.SINISI



RECOMMENDED PC BOARD MOUNTING DIMENSIONS FOR .063 [1.60] THICK PC BOARD AND .012 [.305] STENCIL THICK

PLATING	C	B	A	NO. OF POSITIONS	PART NUMBER	PLATING	C	B	A	NO. OF POSITIONS	PART NUMBER
6	101.19 [3.984]	99.06 [3.900]	39	80	9-146256-0	4	101.19 [3.984]	99.06 [3.900]	39	80	4-146256-0
7	98.65 [3.884]	96.52 [3.800]	38	78	8-146256-9	7	98.65 [3.884]	96.52 [3.800]	38	78	3-146256-9
7	96.11 [3.784]	93.98 [3.700]	37	76	8-146256-8	7	96.11 [3.784]	93.98 [3.700]	37	76	3-146256-8
7	93.57 [3.684]	91.44 [3.600]	36	74	8-146256-7	7	93.57 [3.684]	91.44 [3.600]	36	74	3-146256-7
7	91.03 [3.584]	88.90 [3.500]	35	72	8-146256-6	7	91.03 [3.584]	88.90 [3.500]	35	72	3-146256-6
7	88.49 [3.484]	86.36 [3.400]	34	70	8-146256-5	7	88.49 [3.484]	86.36 [3.400]	34	70	3-146256-5
7	85.95 [3.384]	83.82 [3.300]	33	68	8-146256-4	7	85.95 [3.384]	83.82 [3.300]	33	68	3-146256-4
7	83.41 [3.284]	81.28 [3.200]	32	66	8-146256-3	7	83.41 [3.284]	81.28 [3.200]	32	66	3-146256-3
7	80.87 [3.184]	78.74 [3.100]	31	64	8-146256-2	7	80.87 [3.184]	78.74 [3.100]	31	64	3-146256-2
7	78.33 [3.084]	76.20 [3.000]	30	62	8-146256-1	7	78.33 [3.084]	76.20 [3.000]	30	62	3-146256-1
7	75.79 [2.984]	73.66 [2.900]	29	60	8-146256-0	7	75.79 [2.984]	73.66 [2.900]	29	60	3-146256-0
7	73.25 [2.884]	71.12 [2.800]	28	58	7-146256-9	7	73.25 [2.884]	71.12 [2.800]	28	58	2-146256-9
7	70.71 [2.784]	68.58 [2.700]	27	56	7-146256-8	7	70.71 [2.784]	68.58 [2.700]	27	56	2-146256-8
7	68.17 [2.684]	66.04 [2.600]	26	54	7-146256-7	7	68.17 [2.684]	66.04 [2.600]	26	54	2-146256-7
7	65.63 [2.584]	63.5 [2.500]	25	52	7-146256-6	7	65.63 [2.584]	63.5 [2.500]	25	52	2-146256-6
7	63.09 [2.484]	60.96 [2.400]	24	50	7-146256-5	7	63.09 [2.484]	60.96 [2.400]	24	50	2-146256-5
7	60.55 [2.384]	58.42 [2.300]	23	48	7-146256-4	7	60.55 [2.384]	58.42 [2.300]	23	48	2-146256-4
7	58.01 [2.284]	55.88 [2.200]	22	46	7-146256-3	7	58.01 [2.284]	55.88 [2.200]	22	46	2-146256-3
7	55.47 [2.184]	53.34 [2.100]	21	44	7-146256-2	7	55.47 [2.184]	53.34 [2.100]	21	44	2-146256-2
7	52.93 [2.084]	50.80 [2.000]	20	42	7-146256-1	7	52.93 [2.084]	50.80 [2.000]	20	42	2-146256-1
6	50.39 [1.984]	48.26 [1.900]	19	40	7-146256-0	4	50.39 [1.984]	48.26 [1.900]	19	40	2-146256-0
7	47.85 [1.884]	45.72 [1.800]	18	38	6-146256-9	7	47.85 [1.884]	45.72 [1.800]	18	38	1-146256-9
7	45.31 [1.784]	43.18 [1.700]	17	36	6-146256-8	7	45.31 [1.784]	43.18 [1.700]	17	36	1-146256-8
6	42.77 [1.684]	40.64 [1.600]	16	34	6-146256-7	7	42.77 [1.684]	40.64 [1.600]	16	34	1-146256-7
7	40.23 [1.584]	38.10 [1.500]	15	32	6-146256-6	7	40.23 [1.584]	38.10 [1.500]	15	32	1-146256-6
6	37.69 [1.484]	35.56 [1.400]	14	30	6-146256-5	7	37.69 [1.484]	35.56 [1.400]	14	30	1-146256-5
7	35.15 [1.384]	33.02 [1.300]	13	28	6-146256-4	7	35.15 [1.384]	33.02 [1.300]	13	28	1-146256-4
6	32.61 [1.284]	30.48 [1.200]	12	26	6-146256-3	7	32.61 [1.284]	30.48 [1.200]	12	26	1-146256-3
6	30.07 [1.184]	27.94 [1.100]	11	24	6-146256-2	7	30.07 [1.184]	27.94 [1.100]	11	24	1-146256-2
7	27.53 [1.084]	25.40 [1.000]	10	22	6-146256-1	7	27.53 [1.084]	25.40 [1.000]	10	22	1-146256-1
6	24.99 [.984]	22.86 [.900]	9	20	6-146256-0	4	24.99 [.984]	22.86 [.900]	9	20	1-146256-0
6	22.45 [.884]	20.32 [.800]	8	18	5-146256-9	7	22.45 [.884]	20.32 [.800]	8	18	146256-9
6	19.91 [.784]	17.78 [.700]	7	16	5-146256-8	7	19.91 [.784]	17.78 [.700]	7	16	146256-8
6	17.37 [.684]	15.24 [.600]	6	14	5-146256-7	7	17.37 [.684]	15.24 [.600]	6	14	146256-7
6	14.83 [.584]	12.70 [.500]	5	12	5-146256-6	4	14.83 [.584]	12.70 [.500]	5	12	146256-6
6	12.29 [.484]	10.16 [.400]	4	10	5-146256-5	4	12.29 [.484]	10.16 [.400]	4	10	146256-5
6	9.75 [.384]	7.62 [.300]	3	8	5-146256-4	7	9.75 [.384]	7.62 [.300]	3	8	146256-4
6	7.21 [.284]	5.08 [.200]	2	6	5-146256-3	4	7.21 [.284]	5.08 [.200]	2	6	146256-3
6	4.67 [.184]	2.54 [.100]	1	4	5-146256-2	4	4.67 [.184]	2.54 [.100]	1	4	146256-2
6	2.13 [.084]	-	0	2	5-146256-1	7	2.13 [.084]	-	0	2	146256-1

THIS DRAWING IS A CONTROLLED DOCUMENT.

DIMENSIONS: mm [INCHES]	TOLERANCES UNLESS OTHERWISE SPECIFIED:	APPROVED: G. DUBNICZKI	DATE: 24-10-95
0 PLC ± .127 [0.005]	1 PLC ± .127 [0.005]	2 PLC ± .127 [0.005]	3 PLC ± .127 [0.005]
4 PLC ± .127 [0.005]	5 PLC ± .127 [0.005]	6 PLC ± .127 [0.005]	7 PLC ± .127 [0.005]
8 PLC ± .127 [0.005]	9 PLC ± .127 [0.005]	10 PLC ± .127 [0.005]	11 PLC ± .127 [0.005]
12 PLC ± .127 [0.005]	13 PLC ± .127 [0.005]	14 PLC ± .127 [0.005]	15 PLC ± .127 [0.005]
16 PLC ± .127 [0.005]	17 PLC ± .127 [0.005]	18 PLC ± .127 [0.005]	19 PLC ± .127 [0.005]
20 PLC ± .127 [0.005]	21 PLC ± .127 [0.005]	22 PLC ± .127 [0.005]	23 PLC ± .127 [0.005]
24 PLC ± .127 [0.005]	25 PLC ± .127 [0.005]	26 PLC ± .127 [0.005]	27 PLC ± .127 [0.005]
28 PLC ± .127 [0.005]	29 PLC ± .127 [0.005]	30 PLC ± .127 [0.005]	31 PLC ± .127 [0.005]
32 PLC ± .127 [0.005]	33 PLC ± .127 [0.005]	34 PLC ± .127 [0.005]	35 PLC ± .127 [0.005]
36 PLC ± .127 [0.005]	37 PLC ± .127 [0.005]	38 PLC ± .127 [0.005]	39 PLC ± .127 [0.005]
40 PLC ± .127 [0.005]	41 PLC ± .127 [0.005]	42 PLC ± .127 [0.005]	43 PLC ± .127 [0.005]
44 PLC ± .127 [0.005]	45 PLC ± .127 [0.005]	46 PLC ± .127 [0.005]	47 PLC ± .127 [0.005]
48 PLC ± .127 [0.005]	49 PLC ± .127 [0.005]	50 PLC ± .127 [0.005]	51 PLC ± .127 [0.005]
52 PLC ± .127 [0.005]	53 PLC ± .127 [0.005]	54 PLC ± .127 [0.005]	55 PLC ± .127 [0.005]
56 PLC ± .127 [0.005]	57 PLC ± .127 [0.005]	58 PLC ± .127 [0.005]	59 PLC ± .127 [0.005]
60 PLC ± .127 [0.005]	61 PLC ± .127 [0.005]	62 PLC ± .127 [0.005]	63 PLC ± .127 [0.005]
64 PLC ± .127 [0.005]	65 PLC ± .127 [0.005]	66 PLC ± .127 [0.005]	67 PLC ± .127 [0.005]
68 PLC ± .127 [0.005]	69 PLC ± .127 [0.005]	70 PLC ± .127 [0.005]	71 PLC ± .127 [0.005]
72 PLC ± .127 [0.005]	73 PLC ± .127 [0.005]	74 PLC ± .127 [0.005]	75 PLC ± .127 [0.005]
76 PLC ± .127 [0.005]	77 PLC ± .127 [0.005]	78 PLC ± .127 [0.005]	79 PLC ± .127 [0.005]
80 PLC ± .127 [0.005]	81 PLC ± .127 [0.005]	82 PLC ± .127 [0.005]	83 PLC ± .127 [0.005]
84 PLC ± .127 [0.005]	85 PLC ± .127 [0.005]	86 PLC ± .127 [0.005]	87 PLC ± .127 [0.005]
88 PLC ± .127 [0.005]	89 PLC ± .127 [0.005]	90 PLC ± .127 [0.005]	91 PLC ± .127 [0.005]
92 PLC ± .127 [0.005]	93 PLC ± .127 [0.005]	94 PLC ± .127 [0.005]	95 PLC ± .127 [0.005]
96 PLC ± .127 [0.005]	97 PLC ± .127 [0.005]	98 PLC ± .127 [0.005]	99 PLC ± .127 [0.005]
100 PLC ± .127 [0.005]	101 PLC ± .127 [0.005]	102 PLC ± .127 [0.005]	103 PLC ± .127 [0.005]
104 PLC ± .127 [0.005]	105 PLC ± .127 [0.005]	106 PLC ± .127 [0.005]	107 PLC ± .127 [0.005]
108 PLC ± .127 [0.005]	109 PLC ± .127 [0.005]	110 PLC ± .127 [0.005]	111 PLC ± .127 [0.005]
112 PLC ± .127 [0.005]	113 PLC ± .127 [0.005]	114 PLC ± .127 [0.005]	115 PLC ± .127 [0.005]
116 PLC ± .127 [0.005]	117 PLC ± .127 [0.005]	118 PLC ± .127 [0.005]	119 PLC ± .127 [0.005]
120 PLC ± .127 [0.005]	121 PLC ± .127 [0.005]	122 PLC ± .127 [0.005]	123 PLC ± .127 [0.005]
124 PLC ± .127 [0.005]	125 PLC ± .127 [0.005]	126 PLC ± .127 [0.005]	127 PLC ± .127 [0.005]
128 PLC ± .127 [0.005]	129 PLC ± .127 [0.005]	130 PLC ± .127 [0.005]	131 PLC ± .127 [0.005]
132 PLC ± .127 [0.005]	133 PLC ± .127 [0.005]	134 PLC ± .127 [0.005]	135 PLC ± .127 [0.005]
136 PLC ± .127 [0.005]	137 PLC ± .127 [0.005]	138 PLC ± .127 [0.005]	139 PLC ± .127 [0.005]
140 PLC ± .127 [0.005]	141 PLC ± .127 [0.005]	142 PLC ± .127 [0.005]	143 PLC ± .127 [0.005]
144 PLC ± .127 [0.005]	145 PLC ± .127 [0.005]	146 PLC ± .127 [0.005]	147 PLC ± .127 [0.005]
148 PLC ± .127 [0.005]	149 PLC ± .127 [0.005]	150 PLC ± .127 [0.005]	151 PLC ± .127 [0.005]
152 PLC ± .127 [0.005]	153 PLC ± .127 [0.005]	154 PLC ± .127 [0.005]	155 PLC ± .127 [0.005]
156 PLC ± .127 [0.005]	157 PLC ± .127 [0.005]	158 PLC ± .127 [0.005]	159 PLC ± .127 [0.005]
160 PLC ± .127 [0.005]	161 PLC ± .127 [0.005]	162 PLC ± .127 [0.005]	163 PLC ± .127 [0.005]
164 PLC ± .127 [0.005]	165 PLC ± .127 [0.005]	166 PLC ± .127 [0.005]	167 PLC ± .127 [0.005]
168 PLC ± .127 [0.005]	169 PLC ± .127 [0.005]	170 PLC ± .127 [0.005]	171 PLC ± .127 [0.005]
172 PLC ± .127 [0.005]	173 PLC ± .127 [0.005]	174 PLC ± .127 [0.005]	175 PLC ± .127 [0.005]
176 PLC ± .127 [0.005]	177 PLC ± .127 [0.005]	178 PLC ± .127 [0.005]	179 PLC ± .127 [0.005]
180 PLC ± .127 [0.005]	181 PLC ± .127 [0.005]	182 PLC ± .127 [0.005]	183 PLC ± .127 [0.005]
184 PLC ± .127 [0.005]	185 PLC ± .127 [0.005]	186 PLC ± .127 [0.005]	187 PLC ± .127 [0.005]
188 PLC ± .127 [0.005]	189 PLC ± .127 [0.005]	190 PLC ± .127 [0.005]	191 PLC ± .127 [0.005]
192 PLC ± .127 [0.005]	193 PLC ± .127 [0.005]	194 PLC ± .127 [0.005]	195 PLC ± .127 [0.005]
196 PLC ± .127 [0.005]	197 PLC ± .127 [0.005]	198 PLC ± .127 [0.005]	199 PLC ± .127 [0.005]
200 PLC ± .127 [0.005]	201 PLC ± .127 [0.005]	202 PLC ± .127 [0.005]	203 PLC ± .127 [0.005]
204 PLC ± .127 [0.005]	205 PLC ± .127 [0.005]	206 PLC ± .127 [0.005]	207 PLC ± .127 [0.005]
208 PLC ± .127 [0.005]	209 PLC ± .127 [0.005]	210 PLC ± .127 [0.005]	211 PLC ± .127 [0.005]
212 PLC ± .127 [0.005]	213 PLC ± .127 [0.005]	214 PLC ± .127 [0.005]	215 PLC ± .127 [0.005]
216 PLC ± .127 [0.005]	217 PLC ± .127 [0.005]	218 PLC ± .127 [0.005]	219 PLC ± .127 [0.005]
220 PLC ± .127 [0.005]	221 PLC ± .127 [0.005]	222 PLC ± .127 [0.005]	223 PLC ± .127 [0.005]
224 PLC ± .127 [0.005]	225 PLC ± .127 [0.005]	226 PLC ± .127 [0.005]	227 PLC ± .127 [0.005]
228 PLC ± .127 [0.005]	229 PLC ± .127 [0.005]	230 PLC ± .127 [0.005]	231 PLC ± .127 [0.005]
232 PLC ± .127 [0.005]	233 PLC ± .127 [0.005]	234 PLC ± .127 [0.005]	235 PLC ± .127 [0.005]
236 PLC ± .127 [0.005]	237 PLC ± .127 [0.005]	238 PLC ± .127 [0.005]	239 PLC ± .127 [0.005]
240 PLC ± .127 [0.005]	241 PLC ± .127 [0.005]	242 PLC ± .127 [0.005]	243 PLC ± .127 [0.005]
244 PLC ± .127 [0.005]	245 PLC ± .127 [0.005]	246 PLC ± .127 [0.005]	247 PLC ± .127 [0.005]
248 PLC ± .127 [0.005]	249 PLC ± .127 [0.005]	250 PLC ± .127 [0.005]	251 PLC ± .127 [0.005]
252 PLC ± .127 [0.005]	253 PLC ± .127 [0.005]	254 PLC ± .127 [0.005]	255 PLC ± .127 [0.005]
256 PLC ± .127 [0.005]	257 PLC ± .127 [0.005]	258 PLC ± .127 [0.005]	259 PLC ± .127 [0.005]
260 PLC ± .127 [0.005]	261 PLC ± .127 [