

## 213868-1 Product Details

[Share](#) [Print](#) [Email](#)



**213868-1**

TE Internal Number: 213868-1

Active

[View 3D PDF](#)

### CPC (Circular Plastic) and Circular Metal-Shell Connectors

Always EU RoHS/ELV Compliant (Statement of Compliance)

#### Product Highlights:

- Housing
- Connector Style = Receptacle
- 19 Positions
- 19 Signal Positions
- 0 Power Positions

[View all Features](#)

### Quick Links

- ▶ [Pricing & Availability](#)
- ▶ [Search for Tooling](#)
- ▶ [View Mating Products \(1\)](#)
- ▶ [Product Feature Selector](#)
- ▶ [Contact Us About This Product](#)

[Add to My Part List](#) [Request Sample](#) [Find Similar Products](#) [Buy Product](#)

### Documentation & Additional Information

#### Product Drawings:

- [RECEPTACLE HOUSING, REVERSE SEX, SIZE 23, CPC \(PDF, English\)](#)

#### Catalog Pages/Data Sheets:

- [AMP Circular Connectors for Commercial Signal & Powe... \(PDF, English\)](#)

#### Product Specifications:

- None Available

#### Application Specifications:

- [Circular Plastic Connectors \(CPC\) \(PDF, English\)](#)

#### Instruction Sheets:

- None Available

#### CAD Files: (CAD Format & Compression Information)

- [2D Drawing \(DXF, Version H\)](#)
- [3D Model \(IGES, Version H\)](#)
- [3D Model \(STEP, Version H\)](#)

[List all Documents](#)

#### Additional Product Images:

- [Contact Arrangement](#)
- [Keying Options](#)

#### Related Products:

- [Tooling](#)
- [Mating Products \(1\)](#)

### Product Features (Please use the Product Drawing for all design activity)

#### Product Type Features:

- Connector Type = Housing
- Mount Angle = Straight
- Shell Size = 23
- PCB Mount Retention = Without
- Shell Type = All Plastic
- Product Series = Series 1
- Thread Size = 1-3/8 - 18 UNEF-2A
- Sealed = No

#### Mechanical Attachment:

- Mount = Panel
- Mating Retention Type = Threaded Coupling

#### Body Features:

- Mount Style = Flange with Mounting Holes

#### Contact Features:

- Contact Type = Socket
- Reverse Gender = Reverse

#### Housing Features:

- Connector Style = Receptacle
- Mating Alignment Type = Keyed
- Housing Material = Thermoplastic - GF
- Housing Color = Black
- UL Flammability Rating = UL 94V-0

#### Configuration Features:

- Number of Positions = 19
- Number of Signal Positions = 19
- Number of Power Positions = 0
- Environmental Protection = Without
- Reverse Numbering = Without

#### Industry Standards:

- VDE Tested = Yes
- RoHS/ELV Compliance = RoHS compliant, ELV compliant
- Lead Free Solder Processes = Not relevant for lead free process
- RoHS/ELV Compliance History = Always was RoHS compliant

#### Identification Marking:

- Keying = B

#### Environmental:

- Fluid Resistance = None

#### Conditions for Usage:

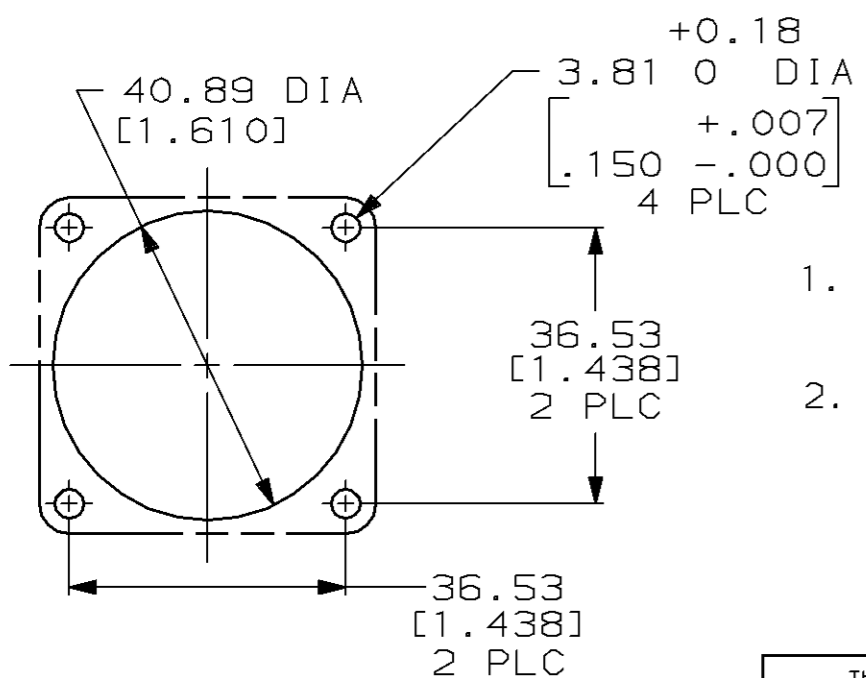
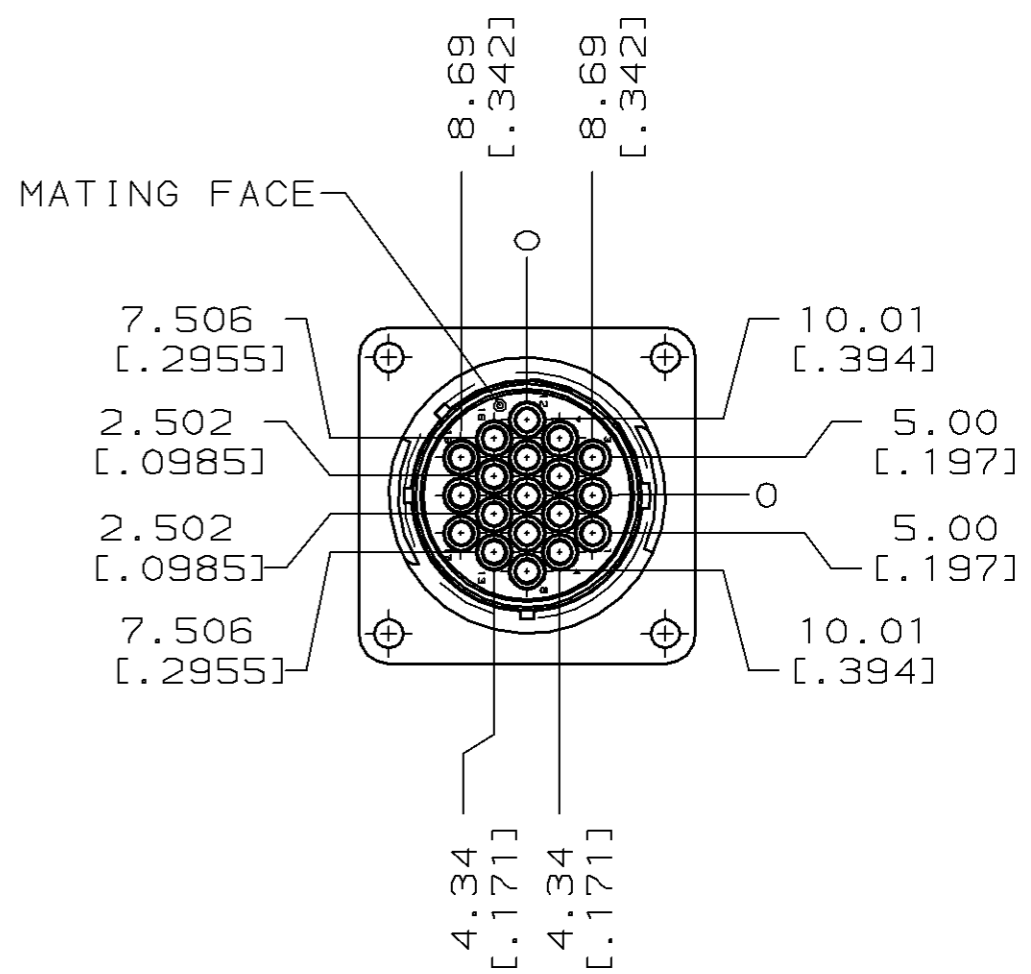
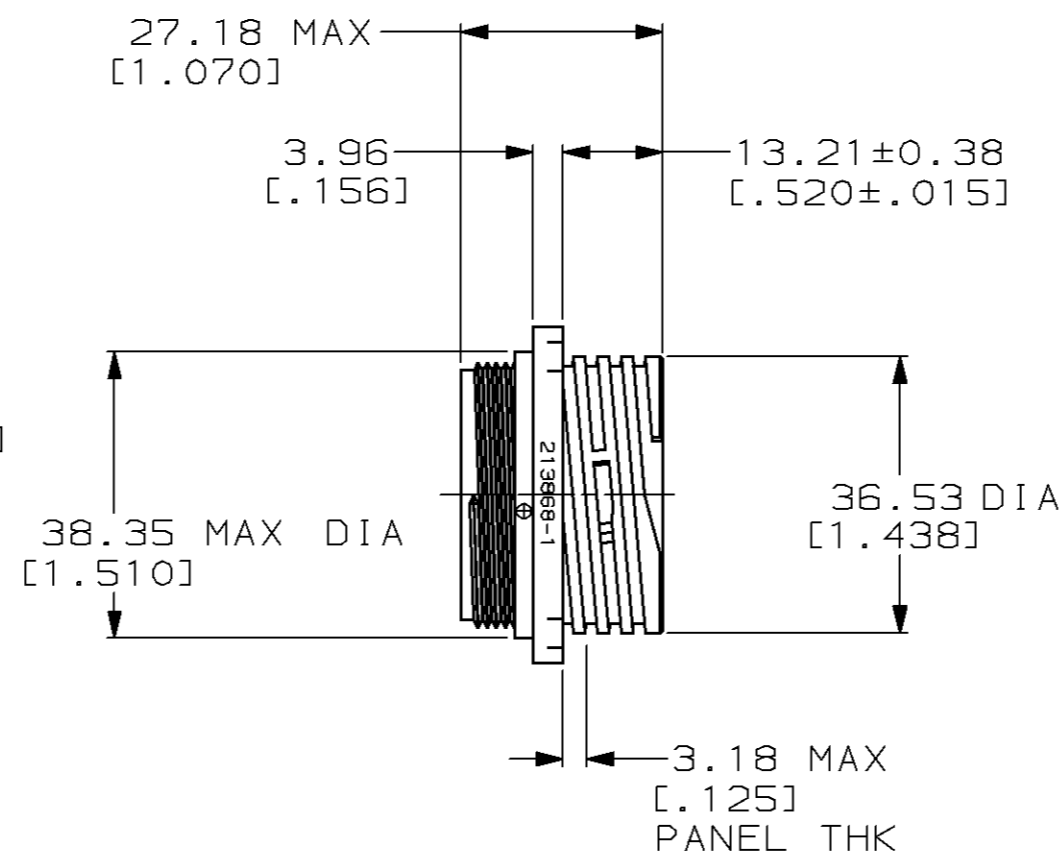
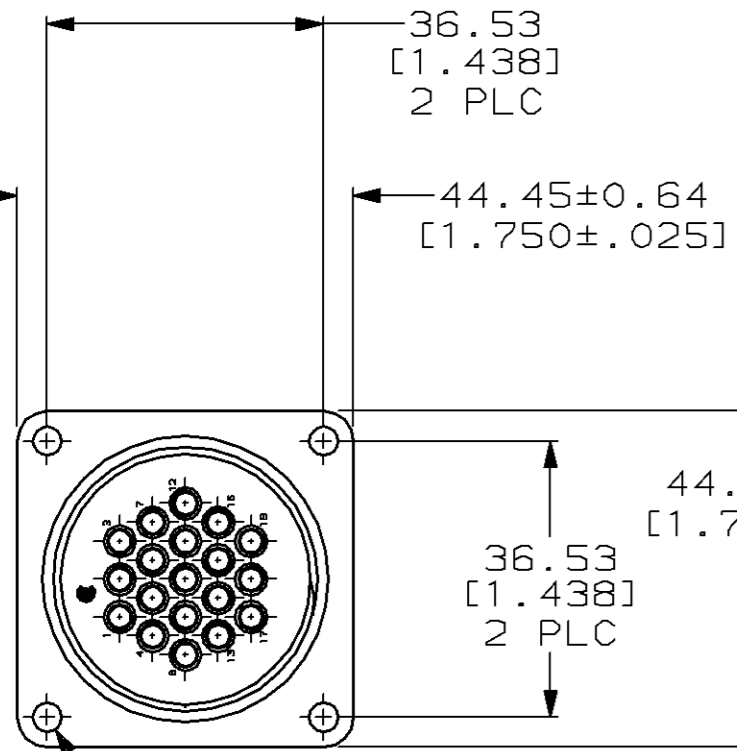
- Accepts Wire Insulation Diameter, Range (mm [in]) = 3.81 [0.150]

#### Other:

- Brand = AMP
- Comment = 4 Locating Key Arrangement.

THIS DRAWING IS UNPUBLISHED. RELEASED FOR PUBLICATION, 19  
 © COPYRIGHT 19 BY AMP INCORPORATED. ALL INTERNATIONAL RIGHTS RESERVED.

MOD	LOC	DIST	P	F	REVISIONS			
ZONE	LTR	DESCRIPTION	DATE	APPD				
4	BD	35			0	RLSE PER NPR 5258 WAS 94-5029-031-01	01/03/95	-



1. WILL ACCEPT (19) MULTIMATE SOCKET CONTACTS.
2. CONTACT CAVITIES IDENTIFIED BY CHARACTERS ON FRONT AND REAR FACES OF CONNECTOR.

THIS DRAWING IS A CONTROLLED DOCUMENT FOR AMP INCORPORATED. IT IS SUBJECT TO CHANGE AND THE CONTROLLING ENGINEERING ORGANIZATION SHOULD BE CONTACTED FOR THE LATEST REVISION.

DO NOT SCALE PRINT. UNLESS SPECIFIED DIMENSIONS IN mm [INCHES] TOLERANCES ON: 2 PLC DEC ± 0.25 [.010] 3 PLC DEC ± - ANGLES ± -		DR 01/03/95 K.FOLTZ	AMP Incorporated Harrisburg, PA 17105-3608
MATERIAL NYLON, BLACK	CHK 01/05/95 R.STONE	NAME RECEPTACLE HOUSING, REVERSE SEX, SIZE 23, CPC	
FINISH -	APPD 01/05/95 T.COULSON	SIZE B	CAGE CODE 00779
	APPD 01/12/95 A.FRANTUM	DRAWING NO C-213868	DRAWING NO C-213868
	PRODUCT SPEC 108-10024	SCALE 2:1	SHEET 1 OF 1
	APPLICATION SPEC -		
	WEIGHT -		