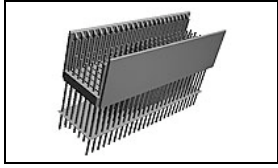


100141-1 Product Details



100141-1

TE Internal Number: 100141-1



2mm Hard Metric PCB Mount Connectors (Z-PACK 2mm HM)

[Not EU RoHS or ELV Compliant \(Find RoHS Compliant Alternates\)](#)

Product Highlights:

- Connector
- Connector Assembly
- Connector Style = Plug
- Type = Type B, 25 Column
- Interface Type = 2mm HM

Documentation & Additional Information

Product Drawings:

- [MALE ASSEMBLY, Z-PACK 2mm HM, TYPE B \(PDF, English\)](#)

Catalog Pages/Data Sheets:

- None Available

Product Specifications:

- [Z-Pack 2 mm HM CONNECTORS \(PDF, English\)](#)

Application Specifications:

- [Z-PACK 2mm HM Interconnection System for Board-to-Bo... \(PDF, English\)](#)

Instruction Sheets:

- [INSERTION TOOL FOR Z-PACK 2mm HM CONN. \(PDF, Japanese\)](#)

CAD Files: (CAD Format & Compression Information)

- [2D Drawing \(DXF, Version N\)](#)
- [3D Model \(IGES, Version N\)](#)
- [3D Model \(STEP, Version N\)](#)

Additional Information:

- [Product Line Information](#)

Related Products:

- [Tooling](#)
- [Mating Products \(1\)](#)

Product Features (Please use the Product Drawing for all design activity)

Product Type Features:

- Product Type = Connector
- Connector Type = Connector Assembly
- [PCB Mounting Orientation](#) = Vertical

Mechanical Attachment:

- [Board Mount](#) = Fixed Board
- Front Mating Level = Level 1

Electrical Characteristics:

- [Shielded](#) = No

Termination Features:

- [Interface Type](#) = 2mm HM
- Termination End Plating = Tin-Lead over Nickel

Dimensions:

- [Module Length \(mm \[in\]\)](#) = 50.00 [1.968]

Body Features:

- Type = Type B, 25 Column

Contact Features:

- Contact Configuration = ACTION PIN Post, Signal
- [Feedthrough Post Length \(mm \[in\]\)](#) = 3.70 [0.145]
- [CompactPCI](#) = No
- [Contact Plating, Mating Area, Material](#) = Gold (30)
- [Grounding Contact](#) = Without
- Contact Style = Short Tail
- Contact Base Material = Phosphor Bronze

Housing Features:

- Connector Style = Plug
- [Mating Alignment](#) = Without
- Housing Color = Gray
- Housing Material = PBT - GF
- UL Flammability Rating = UL 94V-0

Configuration Features:

- [Number of Rows](#) = 5
- [Number of Positions](#) = 125
- [Crosstalk Version](#) = Standard
- Rows Loaded = E, C, B, A, D

Industry Standards:

- [RoHS/ELV Compliance](#) = Not ELV/RoHS compliant
- [Lead Free Solder Processes](#) = Not relevant for lead free process

Packaging Features:

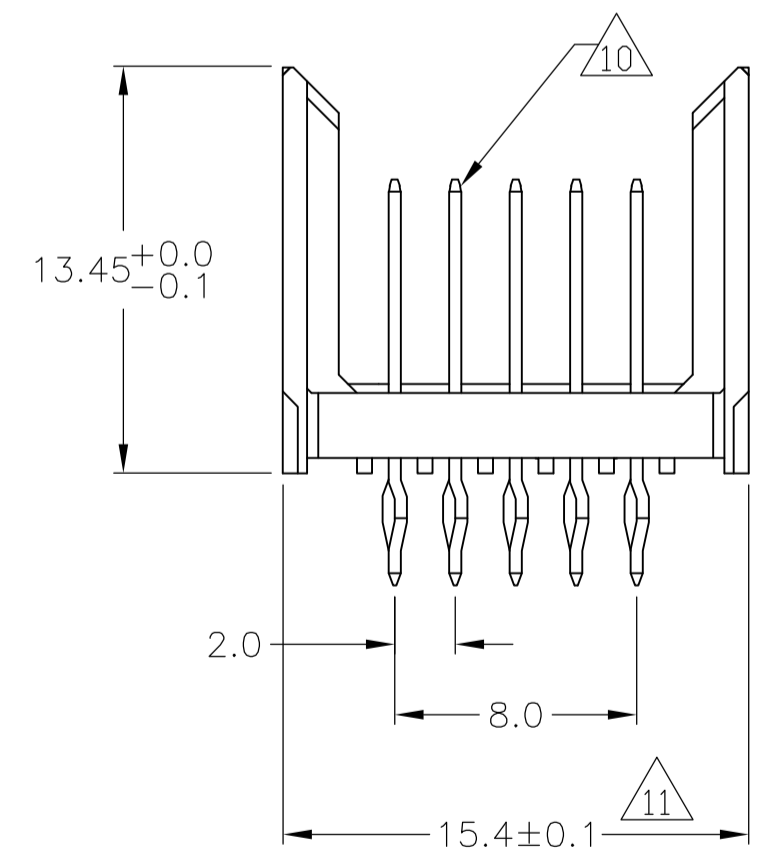
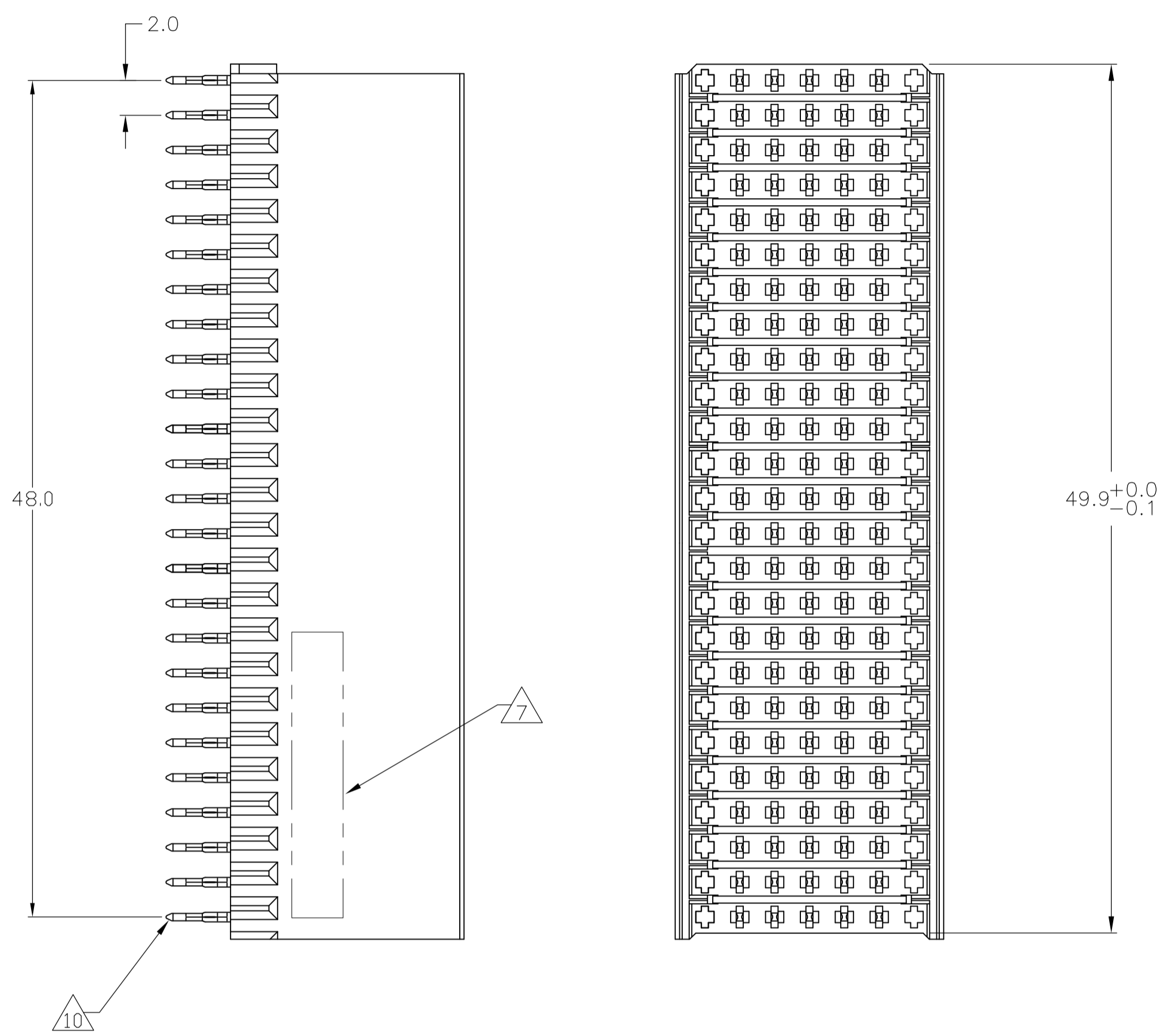
- Packaging Quantity = 11

Other:

- Brand = AMP

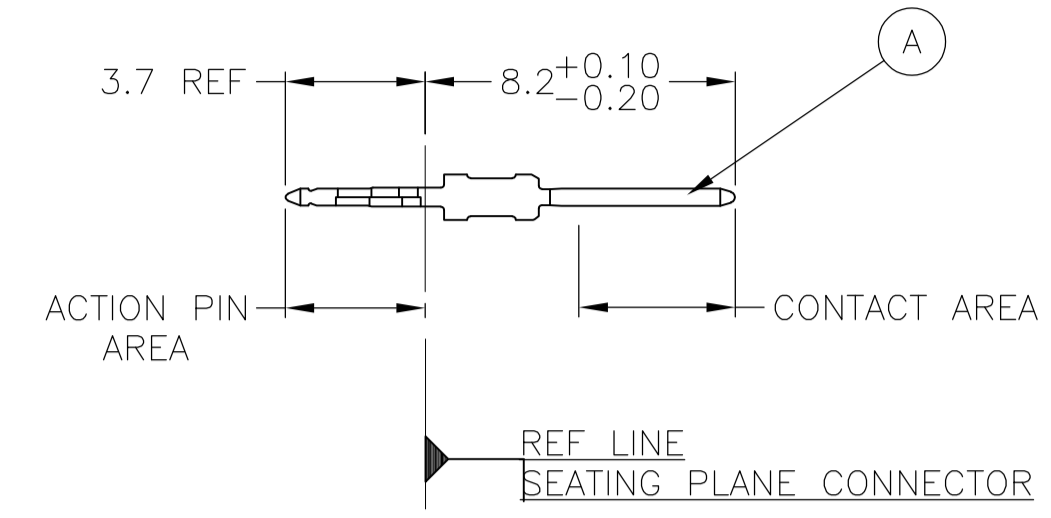
LOC		DIST		REVISIONS			
P	LTR	DESCRIPTION	DATE	DMN	APVD		
N2		REVISED PER ECO-11-005033	29MAR11	RK	HMR		
P		ECR-12-010652	6NOV12	SY	AC		

CONNECTOR ASSEMBLY EXAMPLARY LOADED



CONTACT DIMENSIONS

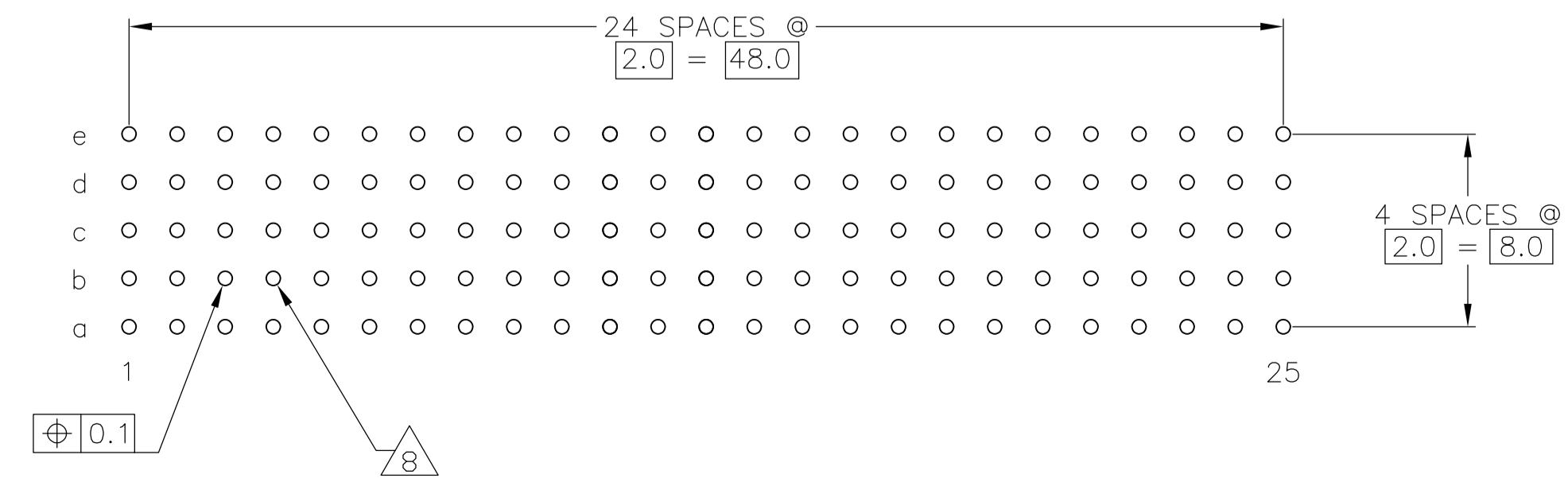
SCALE 5:1



CONTACT LAYOUT

	z	a	b	c	d	e	f
1		A	A	A	A	A	
2		A	A	A	A	A	
3		A	A	A	A	A	
4		A	A	A	A	A	
5		A	A	A	A	A	
6		A	A	A	A	A	
7		A	A	A	A	A	
8		A	A	A	A	A	
9		A	A	A	A	A	
10		A	A	A	A	A	
11		A	A	A	A	A	
12		A	A	A	A	A	
13		A	A	A	A	A	
14		A	A	A	A	A	
15		A	A	A	A	A	
16		A	A	A	A	A	
17		A	A	A	A	A	
18		A	A	A	A	A	
19		A	A	A	A	A	
20		A	A	A	A	A	
21		A	A	A	A	A	
22		A	A	A	A	A	
23		A	A	A	A	A	
24		A	A	A	A	A	
25		A	A	A	A	A	

RECOMMENDED PCB-HOLE LAYOUT COMPONENT SIDE SHOWN



PLATED THRU HOLES PARAMETERS

REFERENCE APPLICATION SPECIFICATION

OBSOLETE	2 3 13	3-100141-0
	2 6 12	1-100141-9
	2 5 12	100141-9
	2 4	100141-4
	2 3	100141-1
	FINISH	PART NUMBER

THIS DRAWING IS A CONTROLLED DOCUMENT.

STE TE Connectivity

MALE ASSEMBLY, Z-PACK 2mm HM, TYPE B

108-19082

114-19029

00779

100141


CUSTOMER DRAWING

SCALE 4:1 SHEET 1 OF 2 REV P

THIS DRAWING IS UNPUBLISHED. RELEASED FOR PUBLICATION
COPYRIGHT - By - ALL RIGHTS RESERVED.

LOC		DIST		REVISIONS				
AD	00	P	LTR	DESCRIPTION	DATE	DN	APVD	
-	-	-	-	SEE SHEET 1	-	-	-	

- 1 MATERIAL:
CONTACT: PHOSPHOR BRONZE.
HOUSING: GLASS-FILLED POLYESTER.
- 2 GENERAL PLATING SPECIFICATION: UNDERPLATING
(ENTIRE CONTACT): 1.27µm MIN NICKEL AND ACTION
PIN: 0.5µm MIN TIN LEAD.
FOR PLATING OF MATING SURFACES SEE APPLICABLE
SPECIFICATION REFERENCE FOR EACH DASH NUMBER.
- 3 CONFORMS TO ALL TESTING ACCORDING TO IEC 61076-4-101
PERFORMANCE LEVEL 2.
- 4 CONFORMS TO ALL TESTING ACCORDING TO IEC 61076-4-101
PERFORMANCE LEVEL 1.
- 5 CONNECTOR TESTED AND QUALIFIED AGAINST TELCORDIA GR-1217-CORE QUALITY LEVEL 3,
CENTRAL OFFICE APPLICATIONS.
- 6 CONNECTOR TESTED AND QUALIFIED AGAINST TELCORDIA GR-1217-CORE QUALITY LEVEL 3,
UNCONTROLLED ENVIROMENT APPLICATIONS.
- 7 CONNECTOR MARKED WITH PART NUMBER AND DATE CODE.
ADDITIONAL CHARACTERS OR MARKINGS, AS WELL AS THE LOCATION OF THE MARKINGS,
MAY BE ADDED FOR TRACEABILITY BASED UPON MANUFACTURERS DISCRETION.
- 8 PLATED-THROUGH HOLES AT 2x2mm SQUARE GRID
PATTERN DEFINED BY CONTACT LAYOUT.
- 9 FOR ACTUAL PIN LOADING SEE "CONTACT LAYOUT".
- 10 FOR ACTUAL PIN DIMENSIONS SEE "CONTACT DIMENSIONS".
- 11 TO BE MEASURED AT BOTTOM OF SHROUD.
- 12 CONNECTOR LUBRICATED WITH BELCORE APPROVED LUBRICANT,
TECHNICAL REFERENCE: TR-NWT-001217 ISSUE 1, SEP 1992.
- 13 0.76µm MIN GOLD PLATING AT MATING SURFACES.

THIS DRAWING IS A CONTROLLED DOCUMENT.		DIN F. BEUN ZONOV01		 TE Connectivity	
DIMENSIONS: mm		TOLERANCES UNLESS OTHERWISE SPECIFIED:			
0 PLC ± -		1 PLC ± 0.1		NAME MALE ASSEMBLY, Z-PACK 2mm HM, TYPE B	
1 PLC ± -		2 PLC ± -		PRODUCT SPEC 108-19082	
2 PLC ± -		3 PLC ± -		APPLICATION SPEC 114-19029	
3 PLC ± -		4 PLC ± -		SIZE A1	
4 PLC ± -		ANGLES ± -		CAGE CODE 00779	
MATERIAL SEE SHEET 1		FINISH SEE SHEET 1		DRAWING NO. 100141	
		WEIGHT -		RESTRICTED TO -	
		CUSTOMER DRAWING		SCALE 4:1 SHEET 2 OF 2 REV P	