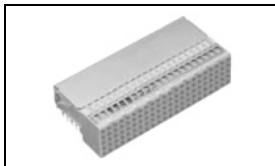


352069-1 Product Details



352069-1

TE Internal Number: 352069-1



2mm Hard Metric PCB Mount Connectors (Z-PACK 2mm HM)

[Not EU RoHS or ELV Compliant \(Find RoHS Compliant Alternates\)](#)

Product Highlights:

- Connector
- Connector Assembly
- Connector Style = Receptacle
- Type = Type B, 25 Column
- Interface Type = 2mm HM

Documentation & Additional Information

Product Drawings:

- [Z-PACK 2MM HM TYPE B - 25 COLUMNS PRE-SHIELDED RECEPTACLE \(PDF, English\)](#)

Catalog Pages/Data Sheets:

- None Available

Product Specifications:

- [Z-Pack 2 mm HM CONNECTORS \(PDF, English\)](#)

Application Specifications:

- [Z-PACK 2mm HM Interconnection System for Board-to-Board \(PDF, English\)](#)

Instruction Sheets:

- [INSERTION TOOL FOR Z-PACK 2mm HM CONN. \(PDF, Japanese\)](#)

CAD Files: (CAD Format & Compression Information)

- [2D Drawing \(DXF, Version F\)](#)
- [3D Model \(IGES, Version F\)](#)
- [3D Model \(STEP, Version F\)](#)

Additional Information:

- [Product Line Information](#)

Related Products:

- [Tooling](#)
- [Mating Products \(2\)](#)

Product Features (Please use the Product Drawing for all design activity)

Product Type Features:

- Product Type = Connector
- Connector Type = Connector Assembly
- [PCB Mounting Orientation](#) = Right Angle

Mechanical Attachment:

- [Board Mount](#) = Free Board
- Shield Type = Ground Return Shielding
- Shield Style = Upper

Electrical Characteristics:

- [Shielded](#) = Yes

Termination Features:

- [Interface Type](#) = 2mm HM
- Termination End Plating = Tin-Lead over Nickel

Dimensions:

- [Module Length \(mm \[in\]\)](#) = 50.00 [1.968]

Body Features:

- Type = Type B, 25 Column

Contact Features:

- [Contact Configuration](#) = Signal
- [Feedthrough Post Length \(mm \[in\]\)](#) = 3.70 [0.145]
- CompactPCI = Yes
- [Contact Plating, Mating Area, Material](#) = Gold (30)
- [Grounding Contact](#) = Without
- Contact Style = Short Tail
- Contact Base Material = Phosphor Bronze

Housing Features:

- Connector Style = Receptacle
- [Mating Alignment](#) = With
- [Mating Alignment Type](#) = Multi-Purpose Center
- Housing Color = Gray
- Housing Material = Polyester GF
- UL Flammability Rating = UL 94V-0

Configuration Features:

- [Number of Rows](#) = 5
- [Number of Positions](#) = 125
- [Crosstalk Version](#) = Standard
- Rows Loaded = E, D, B, A, C

Industry Standards:

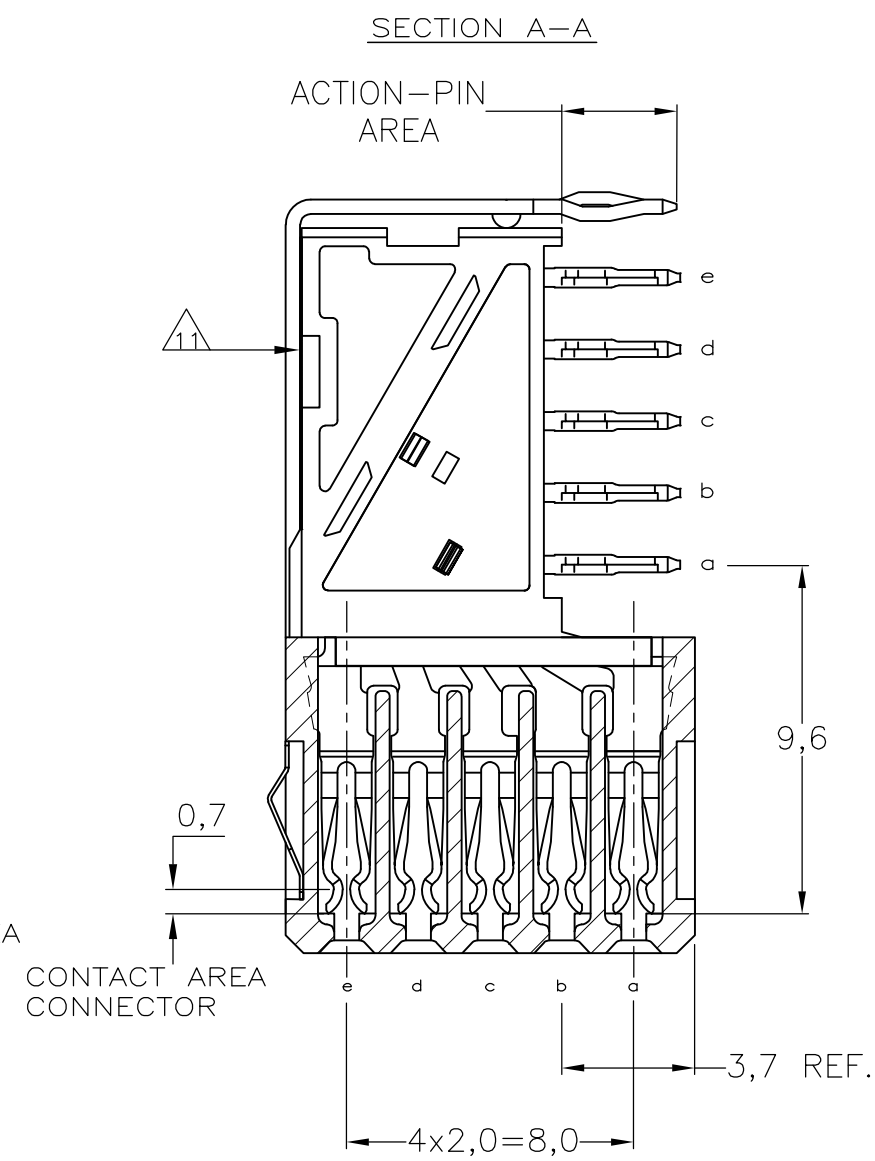
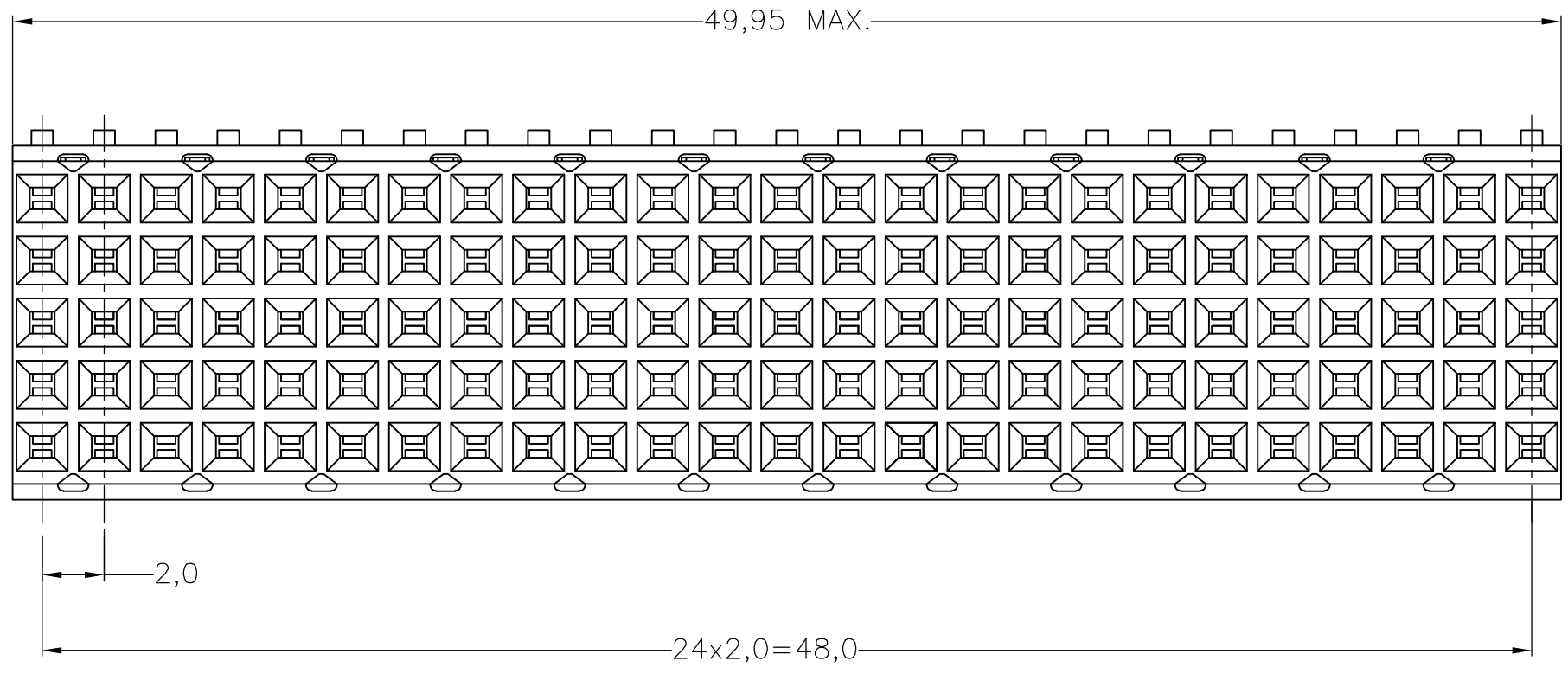
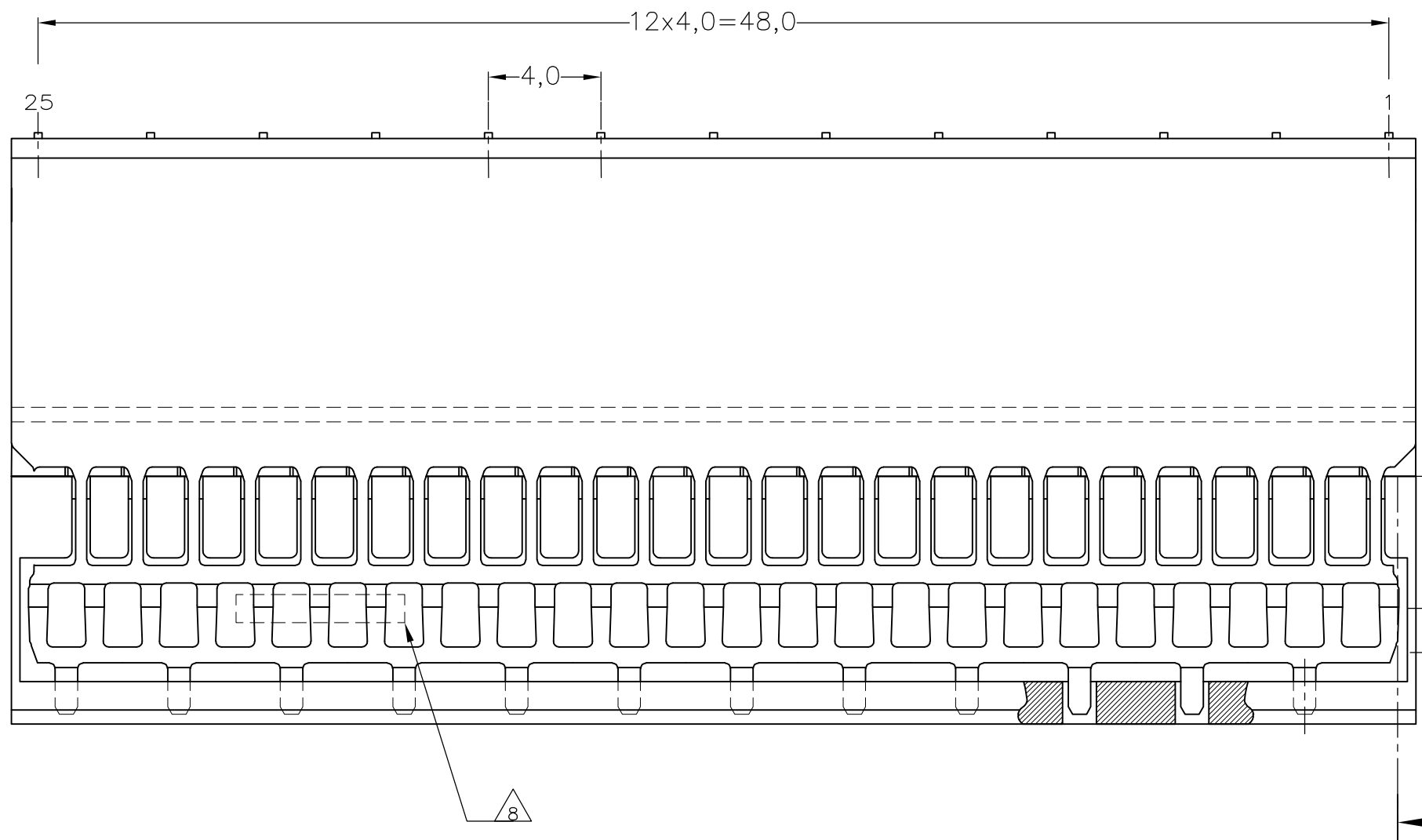
- [RoHS/ELV Compliance](#) = Not ELV/RoHS compliant
- [Lead Free Solder Processes](#) = Not relevant for lead free process

Other:

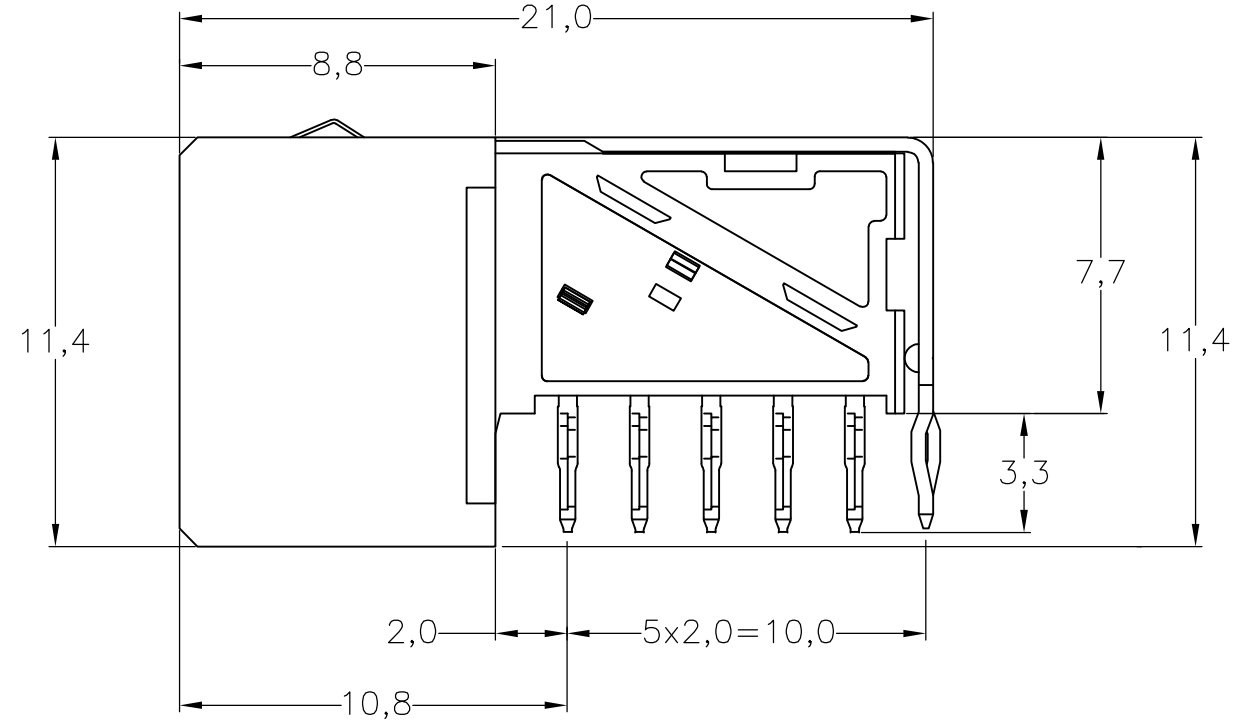
- Brand = AMP
- Comment = Female connector with pre-installed shield.

THIS DRAWING IS UNPUBLISHED. RELEASED FOR PUBLICATION
 © COPYRIGHT BY TYCO ELECTRONICS CORPORATION. ALL RIGHTS RESERVED.

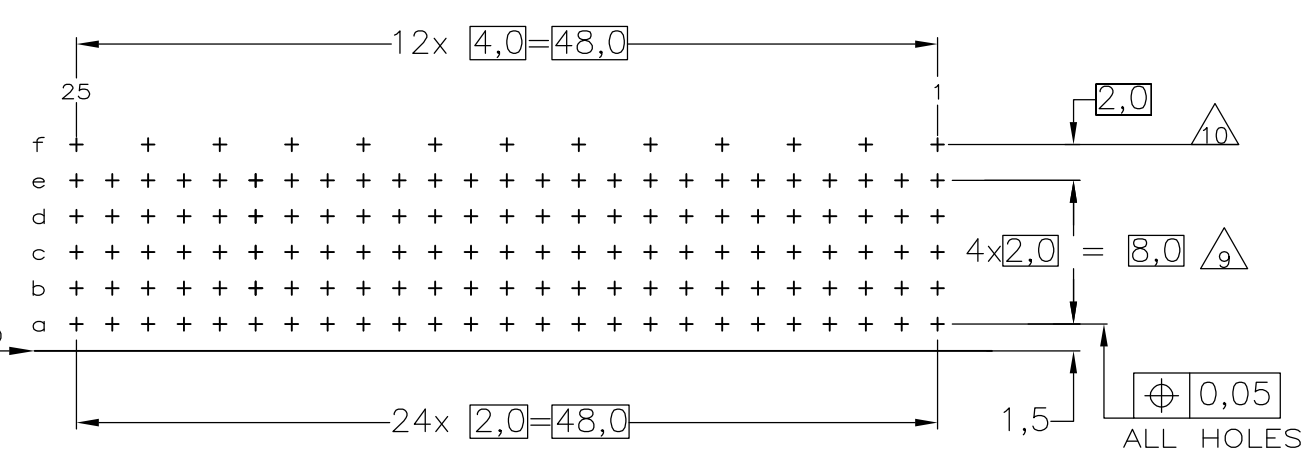
| LOC | DIST | REVISIONS | | | | | |
|-----|------|-----------|-----|---------------|---------|-----|------|
| | | P | LTR | DESCRIPTION | DATE | DWN | APVD |
| H | - | | H | ECR-10-018652 | 10SEP10 | SW | MQW |
| | | | J | ECO-11-024491 | 13DEC11 | SY | MQW |
| | | | K | ECR-12-010544 | 03DEC12 | SY | AC |



- NOTES:
- 1 MATERIAL CONTACTS; PHOSPHORBRONZE
MATERIAL HOUSING; GLASSFILLED POLYESTER (GRAY)
 - 2 GENERAL PLATING SPECIFICATION: UNDERPLATING
(ENTIRE CONTACT): 1,27µm NICKEL MIN. AND ACTION
PIN: 0,5µm TIN-LEAD MIN.
FOR PLATING OF MATING SURFACES SEE APPLICABLE
SPECIFICATION REFERENCE FOR EACH DASH NUMBER.
 - 3 CONFORMS TO ALL TESTING ACCORDING IEC 61076-4-101
PERFORMANCE LEVEL 2.
 - 4 CONFORMS TO ALL TESTING ACCORDING IEC 61076-4-101
PERFORMANCE LEVEL 1.
 - 5 CONNECTOR TESTED AND QUALIFIED AGAINST TELCORDIA
GR-1217-CORE QUALITY LEVEL III, CENTRAL OFFICE APPLICATIONS.
 - 6 CONNECTOR LUBRICATED WITH TELCORDIA GR-1217-CORE
APPROVED LUBRICANT.
 - 7 PLATING SHIELD
CONTACT AREA : 0,76µm Au MIN.
ACTION PIN : 0,5µm SnPb MIN.
REMAINDER : Ni
 - 8 ASSEMBLY PRINTED WITH P/N AND DATECODE.
THE MARKING CAN APPEAR ON THE FRONT SIDE
OR BACK SIDE.
 - 9 HOLE PATTERN FOR FEMALE CONNECTOR TYPE B
125 PLATED-THROUGH HOLES AT 2x2mm SQUARE GRID
 - 10 ROW "f" 13 PLATED THROUGH HOLES FOR UPERSHIELD
 - 11 SHIELD MOUNTED ON CONNECTOR WITH DOUBLE SIDED
ADHESIVE TAPE OR ADHESIVE
 - 12. BASIC P.N. LOWERSHIELD: 338110
 - 13 0.76µm MIN GOLD PLATING AT MATING SURFACES.



COMPONENT SIDE AS SHOWN
 RECOMMENDED PCB-HOLE LAY-OUT
 SCALE 2,5:1



P.C.B. HOLE DIM. ACTION PIN
 FOR DETAILS SEE
 APPLICATION SPECIFICATION

| FINISH | MATERIAL | PARTNUMBER |
|--------|----------|---------------------|
| △△△△△ | △ | 3-352069-0 |
| △△△△△ | △ | 352069-9 |
| △△△△△ | △ | 352069-4 |
| △△△△△ | △ | 352069-1 |

THIS DRAWING IS A CONTROLLED DOCUMENT.

DWN: D. TRUREN 20JAN97
 CHK: -
 APVD: -
 PRODUCT SPEC: 108-19082
 APPLICATION SPEC: 114-19029

TOLERANCES UNLESS OTHERWISE SPECIFIED:
 0-PLC ±
 1-PLC ±
 2-PLC ± ±0.2
 3-PLC ±
 4-PLC ±
 ANGLES ±

MATERIAL: - FINISH: -

Tyco Electronics Tyco Electronics Corporation
 s-Hertogenbosch, Netherlands.

Z-PACK 2MM HM
 TYPE B - 25 COLUMNS
 PRE-SHIELDED RECEPTACLE

SIZE: A2 CAGE CODE: 00779 DRAWING NO: C-352069 RESTRICTED TO: -
 CUSTOMER DRAWING SCALE: NTS SHEET: 1 OF 1 REV: K