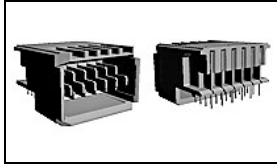


5223963-1 Product Details



5223963-1

TE Internal Number: 5223963-1



Active

Universal Power Modules

 Always EU RoHS/ELV Compliant (Statement of Compliance)

Product Highlights:

- Connector
- Header
- Connector Style = Plug
- Contact Type = Blade
- 3 Positions

Documentation & Additional Information

Product Drawings:

- [ASSEMBLY, RIGHT ANGLE HEADER, W/ RETENTION PEGS, UNI...](#) (PDF, English)

Catalog Pages/Data Sheets:

- [High Speed Backplane Connectors catalog - Z-PACK HM-...](#) (PDF, English)
- [High Speed Backplane Connectors catalog - Z-PACK HS3...](#) (PDF, English)
- [POWER_CONNECTORS_CATALOG_SEC01_BOARD_TO_BOARD](#) (PDF, English)
- [2_PIECE_POWER_CONNECTORS_qrg_4-1773458-1](#) (PDF, English)

Product Specifications:

- None Available

Application Specifications:

- [Universal Power Module \(UPM\) Connectors](#) (PDF, English)

Instruction Sheets:

- None Available

CAD Files: (CAD Format & Compression Information)

- [2D Drawing](#) (DXF, Version 0)
- [3D Model](#) (IGES, Version 0)
- [3D Model](#) (STEP, Version 0)

Additional Information:

- [Product Line Information](#)

Related Products:

- [Tooling](#)

Product Features (Please use the Product Drawing for all design activity)

Product Type Features:

- [Product Type](#) = Connector
- Connector Type = Header
- PCB Mounting Orientation = Right Angle
- [Keyed](#) = No
- Post Type = Compliant Post

Termination Features:

- Solder Tail Contact Plating = Tin

Dimensions:

- Mating Post Length (Row A) (mm [in]) = 9.30 [0.366]
- Mating Post Length (Row B) (mm [in]) = 10.90 [0.429]
- Mating Post Length (Row C) (mm [in]) = 9.30 [0.366]

Contact Features:

- Contact Type = Blade
- Contact Base Material = Phosphor Bronze
- Contact Plating, Mating Area, Material = Gold (50)

Housing Features:

- Connector Style = Plug
- Housing Material = Liquid Crystal Polymer (LCP)
- Housing Color = Natural

Configuration Features:

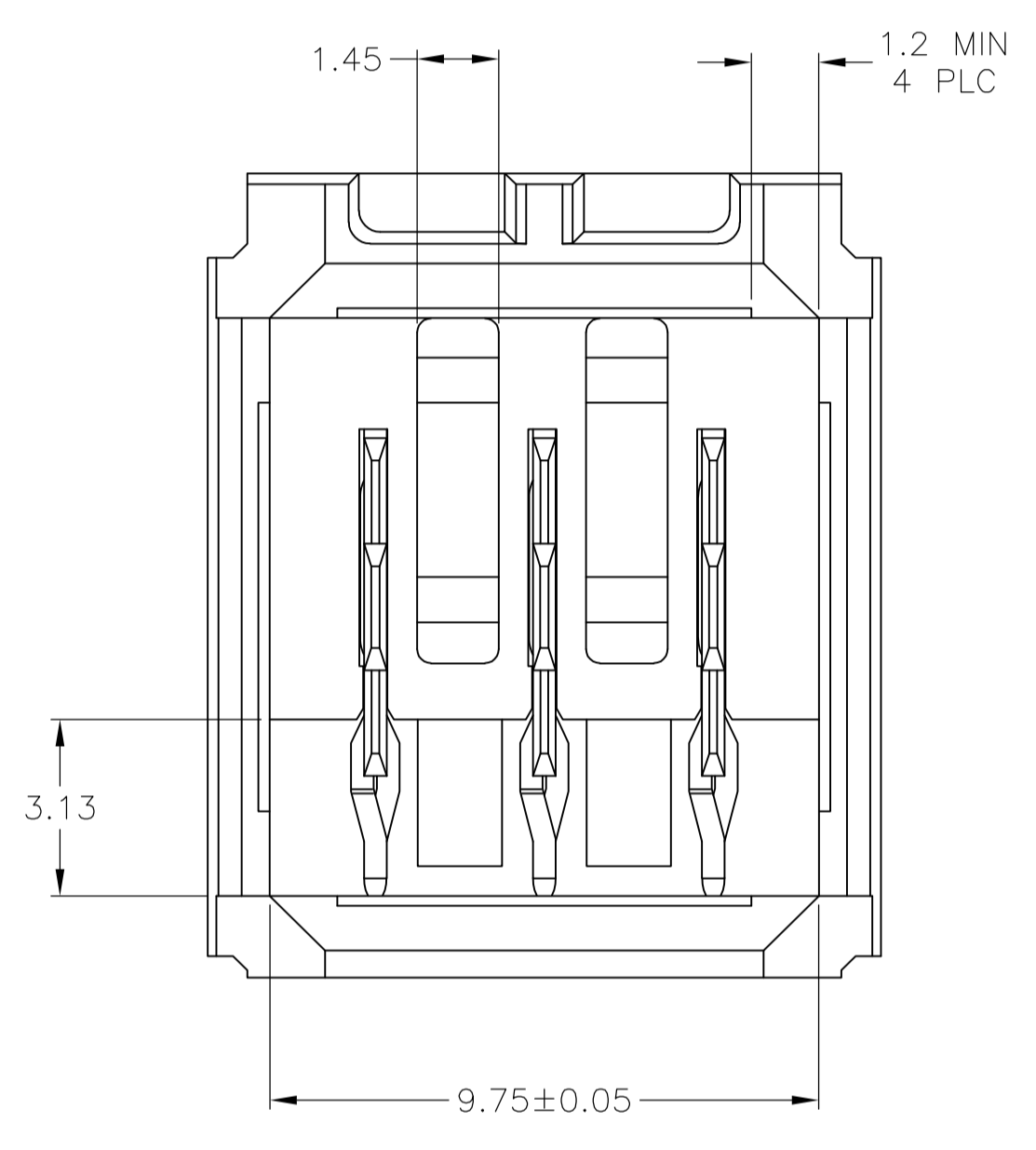
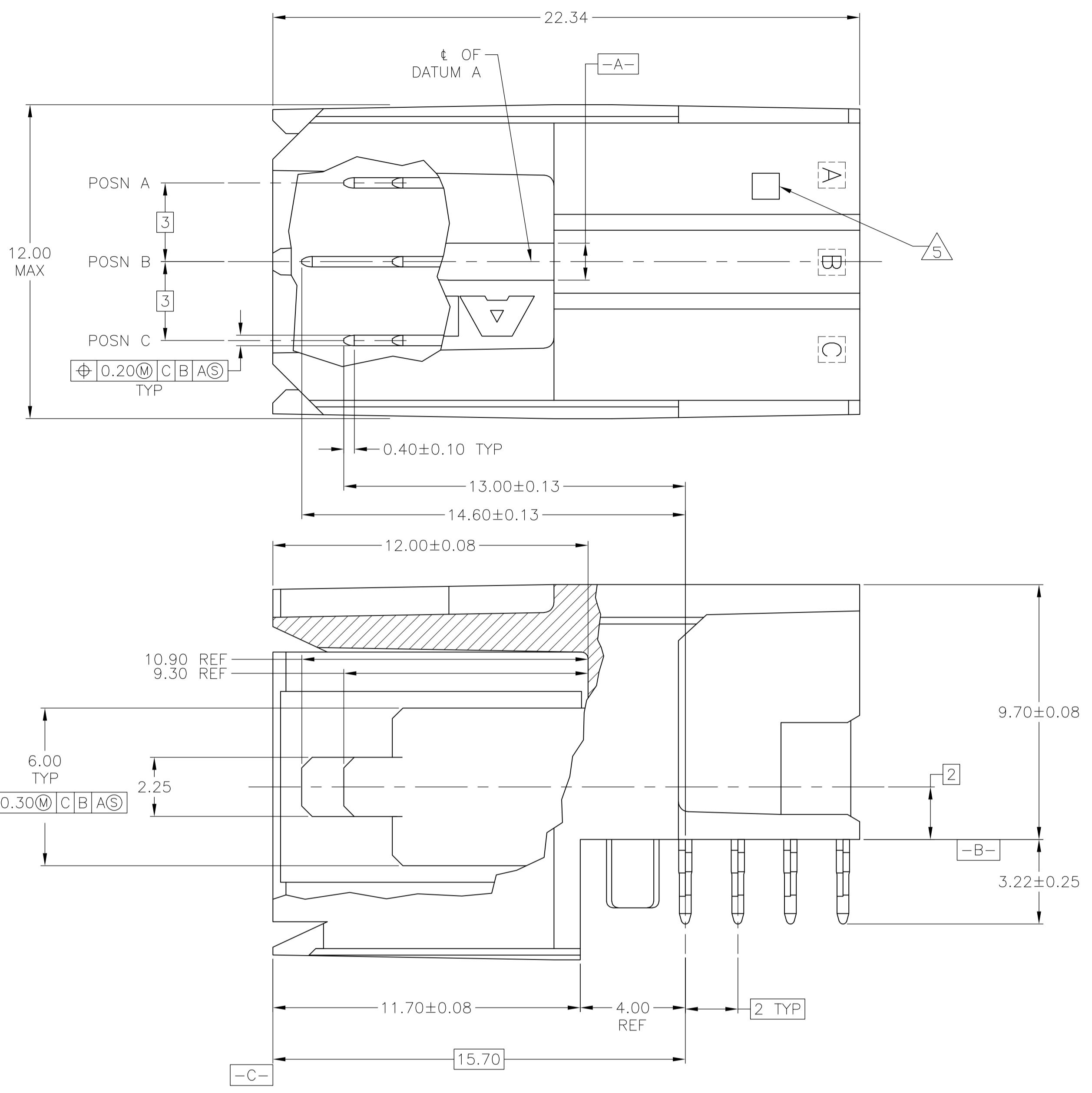
- [Number of Positions](#) = 3

Industry Standards:

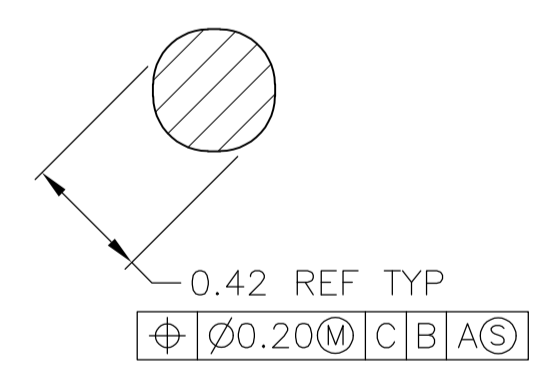
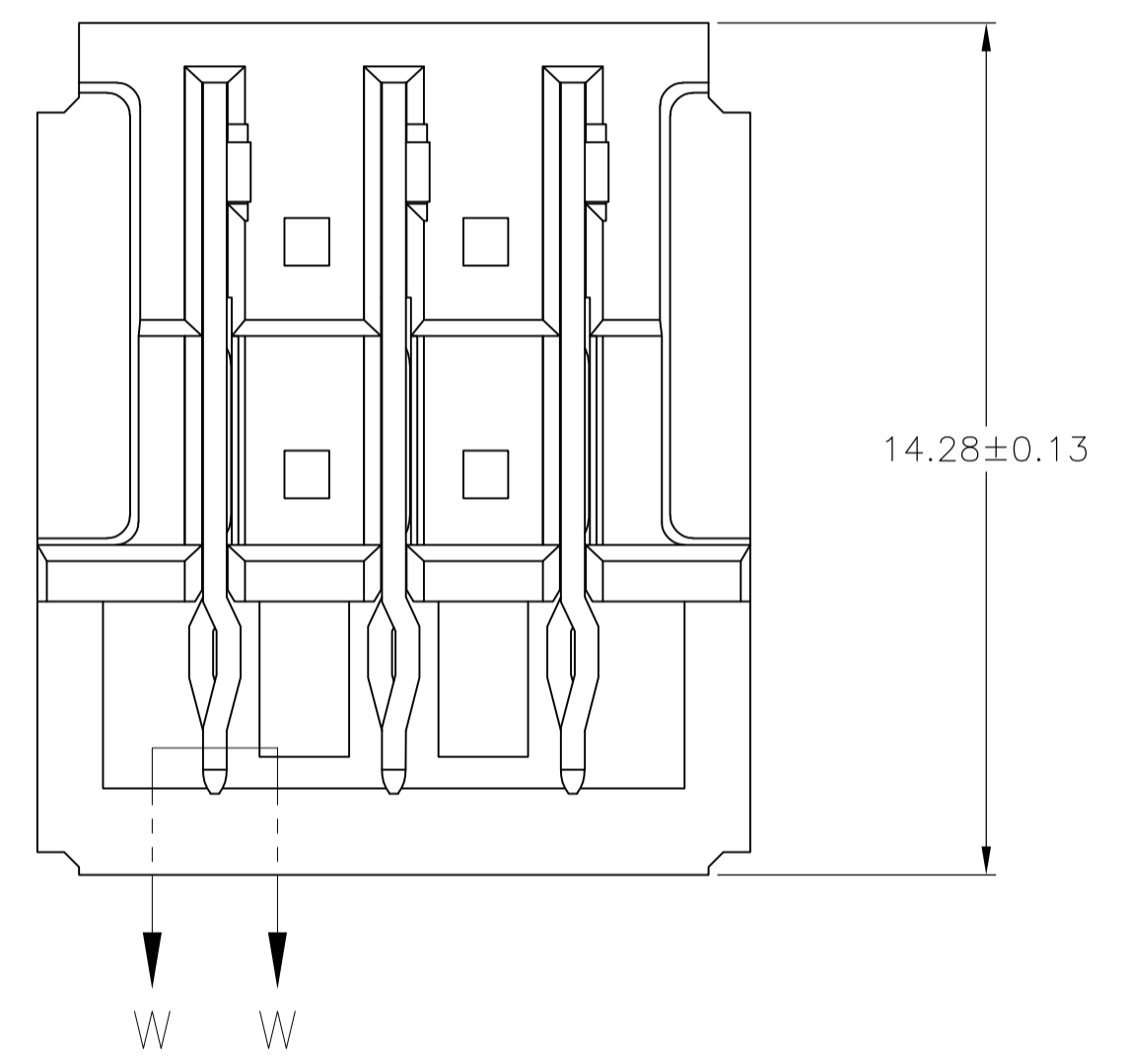
- [RoHS/ELV Compliance](#) = RoHS compliant, ELV compliant
- [Lead Free Solder Processes](#) = Not relevant for lead free process
- RoHS/ELV Compliance History = Always was RoHS compliant

Other:

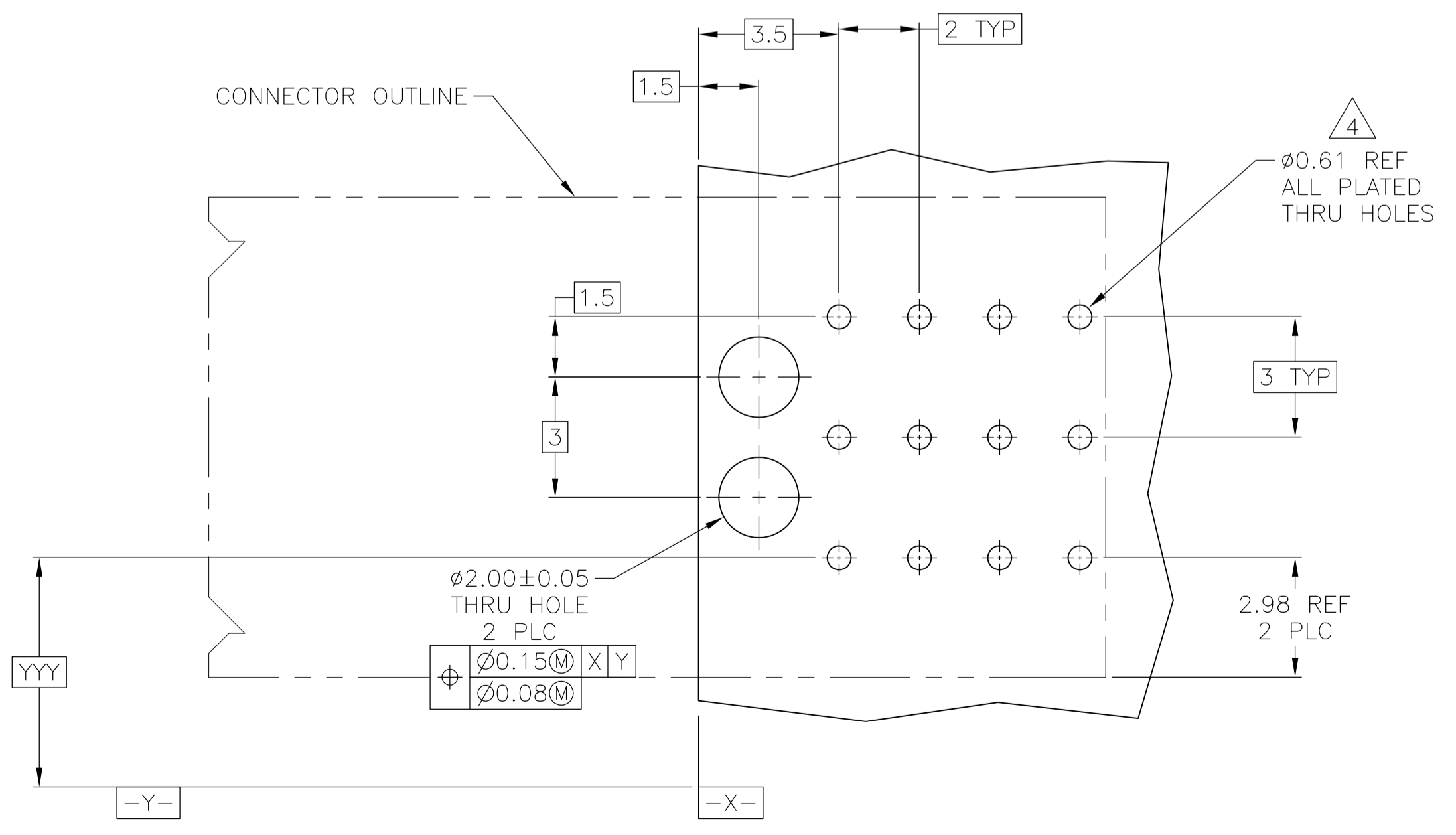
- Brand = AMP
- Comment = Contact area lubricated with Bellcore approved lubricant.



- 1 HOUSING: POLYESTER, GRAY. UL 94V-0. CONTACT: PHOSPHOR BRONZE.
- 2 CONTACT: MATING AREA: 1.27µm MIN GOLD OR 0.08µm MIN GOLD OVER 0.76µm MIN PALLADIUM-NICKEL. ACTION PIN AREA: 0.5µm MIN TIN PLATE. ALL OVER 1.27µm MIN NICKEL UNDERPLATE.
- 3 CONTACT LUBRICATION WITH BELCORE APPROVED LUBRICANT. TECHNICAL REFERENCE: TR-NWT-001217 ISSUE 1, SEPT 1992.
- 4 REFERENCE APPLICATION SPEC 114-1103 FOR RECOMMENDED PLATED THRU HOLE DIAMETER AND PLATING THICKNESS.
- 5 NUMBER "2" MARKED IN THIS AREA.
- 6 HOUSING: POLYESTER, GRAY. UL 94V-0. CONTACT: HI-CURRENT COPPER ALLOY.
- 7 CURRENT RATING 10A/CONTACT FOR PHOS BRONZE CONTACT AND 16A/CONTACT FOR HIGH CURRENT COPPER ALLOY CONTACTS PER PRODUCT SPEC 108-1651.



SECTION W-W
SCALE 40:1



RECOMMENDED PCB HOLE LAYOUT

5	2	3	6	5-5223963-1
1	2	3		5223963-7
1	2	3		5223963-1
REMARKS				PART NUMBER

THIS DRAWING IS A CONTROLLED DOCUMENT.		DIN	B. CARBO	29OCT04
DIMENSIONS: mm		CHK	R. PATTERSON	29OCT04
TOLERANCES UNLESS OTHERWISE SPECIFIED:		APVD	R. PATTERSON	29OCT04
0 PLC ± -		NAME		
1 PLC ± -		ASSEMBLY, RIGHT ANGLE HEADER, W/ RETENTION PEGS, UNIVERSAL POWER MODULE		
2 PLC ± 0.13		SIZE	A1	CAGE CODE
3 PLC ± -		DRAWING NO	00779	DRAWING NO
4 PLC ± -		WEIGHT		RESTRICTED TO
ANGLES ± -		CUSTOMER DRAWING	SCALE 8:1	SHEET 1 OF 1
MATERIAL SEE TABLE		FINISH SEE TABLE	REV	C