

## 1648115-1 Product Details



**1648115-1**

TE Internal Number: 1648115-1



Active

### High Current ELCON Drawer Connectors

 Always EU RoHS/ELV Compliant (Statement of Compliance)

#### Product Highlights:

- Connector
- Not Preloaded
- Connector Style = Receptacle
- Contact Size = 12, 20
- Drawer Style = Mini

### Documentation & Additional Information

#### Product Drawings:

- [CONNECTOR, SOCKET HOUSING, #12, #20, #12 CONFIGURATI...](#) (PDF, English)

#### Catalog Pages/Data Sheets:

- [POWER\\_CONNECTORS\\_CATALOG\\_SEC02\\_CABLE\\_MOUNTED](#) (PDF, English)
- [AMP & ELCON Power Connector Layout Forms Datasheet 6...](#) (PDF, English)

#### Product Specifications:

- None Available

#### Application Specifications:

- [ELCON Drawer Series Connectors](#) (PDF, English)

#### Instruction Sheets:

- None Available

#### CAD Files: (CAD Format & Compression Information)

- [2D Drawing](#) (DXF, Version A)
- [3D Model](#) (IGES, Version A)
- [3D Model](#) (STEP, Version A)

#### Additional Information:

- [Product Line Information](#)

#### Related Products:

- [Tooling](#)
- [Mating Products \(1\)](#)

### Product Features (Please use the Product Drawing for all design activity)

#### Product Type Features:

- Product Type = Connector

#### Electrical Characteristics:

- Current Rating (A) = 35

#### Body Features:

- Drawer Style = Mini
- Mount Type = Fixed

#### Contact Features:

- Contact Size = 12, 20

#### Housing Features:

- Connector Style = Receptacle
- Housing Material = Polyester GF
- Housing Color = Black
- UL Flammability Rating = UL 94V-0

#### Configuration Features:

- Preloaded = No
- Type of Contact = Size 12 + Size 20 + Size 12

#### Industry Standards:

- [RoHS/ELV Compliance](#) = RoHS compliant, ELV compliant
- [Lead Free Solder Processes](#) = Wave solder capable to 260°C, Wave solder capable to 240°C, Wave solder capable to 265°C
- [RoHS/ELV Compliance History](#) = Always was RoHS compliant

#### Other:

- Brand = Elcon

4

3

2

1

This drawing involves proprietary design rights of Tyco Electronics Corporation, and all design, manufacture, reproduction, use and sale rights regarding the same are expressly reserved. It is submitted for a specific purpose and the recipient by accepting this drawing, assumes custody and control and agrees to take reasonable precautions: (a) that this drawing will not be copied and reproduced, in whole or in part, or its contents revealed in any manner, or to any person except to meet the purpose for which it was delivered and (b) that any special features peculiar to this design will not be incorporated in other projects without the expressed written permission of Tyco Electronics Corporation.

REVISIONS			
EC	REV	DESCRIPTION	DATE
CPR	A	NEW RELEASE	03/07/06

TYPICAL SPECIFICATION TABLE			
POSITION	CONTACT SIZE	RATING	VOLTAGE RATING
1 - 3	#12	35 AMPERES	250 VOLTS
4 - 19	#20	5 AMPERES	250 VOLTS
20 - 22	#12	35 AMPERES	250 VOLTS

6. ITEMS PROVIDED TO THIS SPECIFICATION TO BE PERMANENTLY IDENTIFIED PER THE FOLLOWING IDENTIFIER:

YEAR  WEEK

TYCO PART NUMBER      DATE CODE (e.g. 0625)

XXXXXXX-X      XXXX

5. ALL DIMENSIONS SHOWN ACROSS A CENTERLINE (⌀) SHALL BE CENTRALIZED WITHIN THE TOLERANCE INDICATED FOR THAT DIMENSION.

4. A REFERENCE DIMENSION (.XXX) IS WITHOUT TOLERANCE AND USED FOR INFORMATION PURPOSE ONLY.

3. RECOMMENDED MOUNTING HARDWARE: TO BE ORDERED SEPARATELY.

- FOR PANEL MOUNTING, USE
  - 1650402-1: SHOULDER SCREW, #8-32
  - 1650106-1: SHOULDER SCREW, #6-32
  - 1650589-1: SHOULDER SCREW, M4X0.7
- FOR PCB MOUNTING, USE COMMERCIALY AVAILABLE SCREW AND WASHER (IF REQUIRED).

2. MATERIALS:




HOUSING: THERMOPLASTIC, GLASS REINFORCED, COLOR-BLACK UL94V-0 FLAMMABILITY RATED.

RETENTION CLIP: COPPER ALLOY OR STAINLESS STEEL

1. PART NUMBER CHANGES AND OR DESIGN CHANGES AFFECTING ITEM INTERCHANGEABILITY REQUIRE PRIOR ELCON APPROVAL AND AUTHORIZATION BY REVISION TO THIS DRAWING.

NOTES: UNLESS OTHERWISE SPECIFIED

1648115-1	AS SHOWN
PART NUMBER	DESCRIPTION

 THIRD ANGLE PROJECTION UNLESS OTHERWISE SPECIFIED DIMENSIONS ARE IN INCHES (METRIC) TOLERANCES ANGLES ± .5° DECIMALS .XXX ± .010 (.25) .XX ± .02 (.3)	DRAWN HA NGUYEN	DATE 03/07/06	 Tyco Electronics Corporation Menlo Park, Ca 94025 	
	CHECKED			TITLE CONNECTOR, SOCKET HOUSING #12, #20, #12 CONFIGURATION MINI DRAWER
	APPROVED			SIZE DWG NUMBER B C = 1648115
	APPROVED STEVE FLICKINGER	03/07/06		REV. A
	DCA APPROVED HA NGUYEN	03/07/06		
	ACAD FILE NUMBER	C1648115A.DWG	DWG SCALE 1=1 SH 1 OF 3	

4

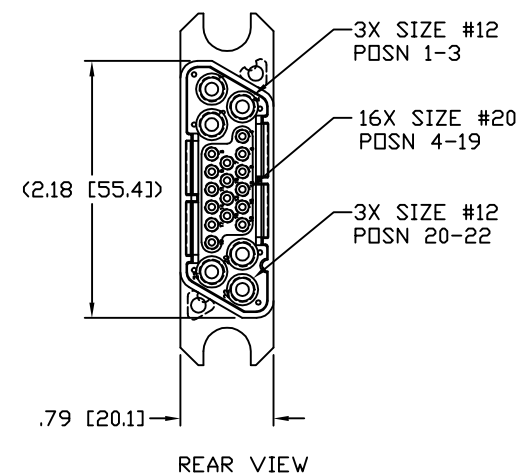
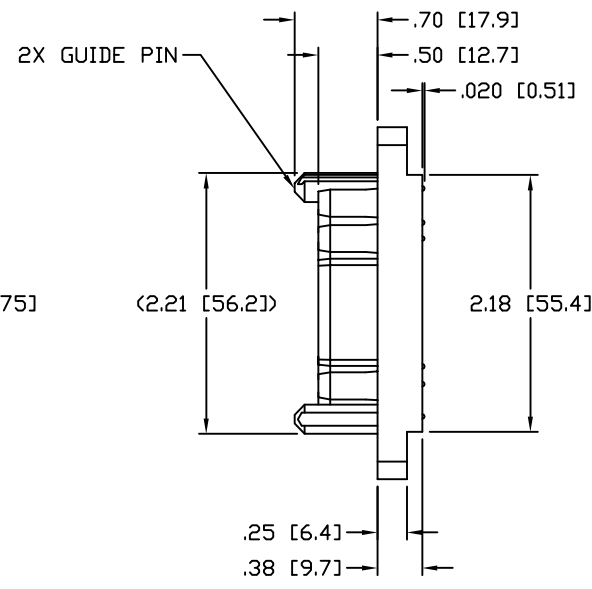
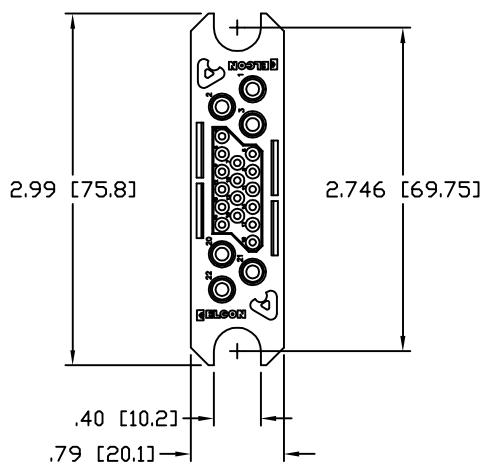
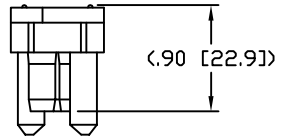
3

2

1

This drawing involves proprietary design rights of Tyco Electronics Corporation, and all design, manufacture, reproduction, use and sale rights regarding the same are expressly reserved. It is submitted for a specific purpose and the recipient by accepting this drawing, assumes custody and control and agrees to take reasonable precautions: (a) that this drawing will not be copied and reproduced, in whole or in part, or its contents revealed in any manner, or to any person except to meet the purpose for which it was delivered and (b) that any special features peculiar to this design will not be incorporated in other projects without the expressed written permission of Tyco Electronics Corporation.

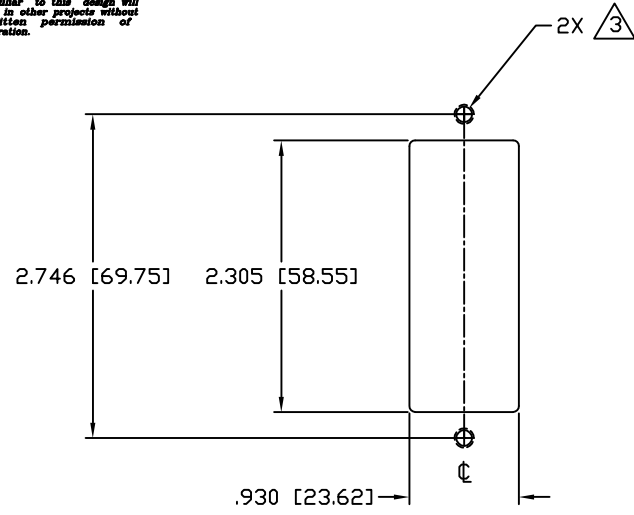
REVISIONS			
EC	REV	DESCRIPTION	DATE
		SEE SHEET 1	



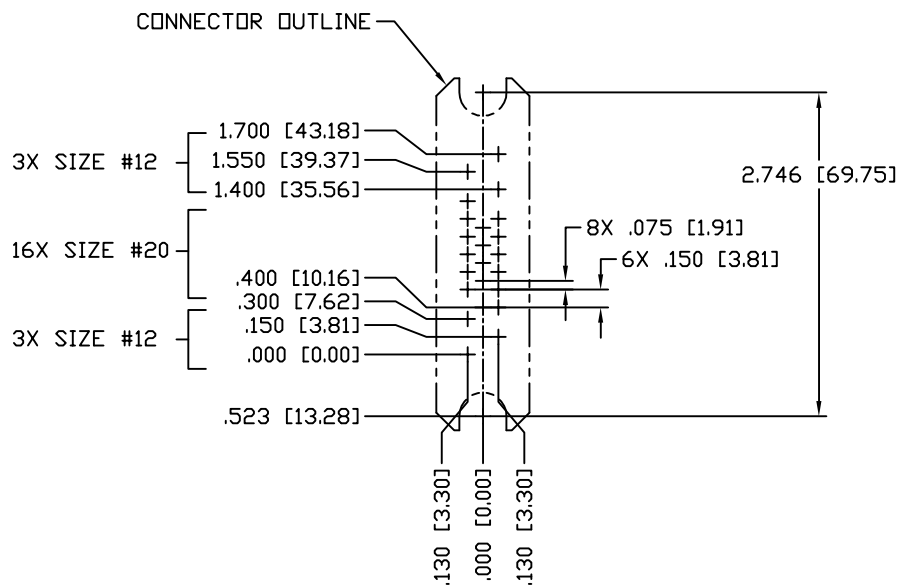
INCH OR INCH (MM)  THIRD ANGLE PROJECTION UNLESS OTHERWISE SPECIFIED DIMENSIONS ARE IN INCHES (METRIC) TOLERANCES ANGLES ± .5° DECIMALS .XXX ± .010 (.25) .XX ± .02 (.3)	DRAWN	DATE	Tyco Electronics Corporation Menlo Park, Ca 94025
	HA NGUYEN	03/07/06	
	CHECKED		TITLE
	APPROVED		CONNECTOR, SOCKET HOUSING #12, #20, #12 CONFIGURATION MINI DRAWER
	APPROVED		SIZE DWG NUMBER
	STEVE FLICKINGER	03/07/06	B C = 1648115
	DCA APPROVED		REV.
	HA NGUYEN	03/07/06	A
	ACAD FILE NUMBER	C1648115A.DWG	DWG SCALE 1=1 SH 2 OF 3

This drawing involves proprietary design rights of Tyco Electronics Corporation, and all design, manufacture, reproduction, use and sale rights regarding the same are expressly reserved. It is submitted for a specific purpose and the recipient by accepting this drawing, assumes custody and control and agrees to take reasonable precautions: (a) that this drawing will not be copied and reproduced, in whole or in part, or its contents revealed in any manner, or to any person except to meet the purpose for which it was delivered and (b) that any special features peculiar to this design will not be incorporated in other projects without the expressed written permission of Tyco Electronics Corporation.

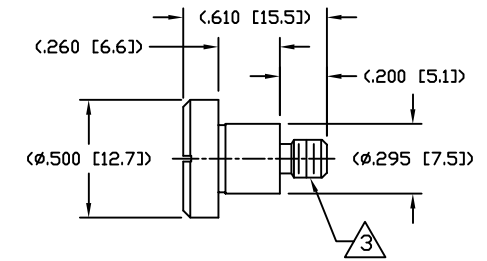
REVISIONS			
EC	REV	DESCRIPTION	DATE
		SEE SHEET 1	



RECOMMENDED PANEL CUTOUT  
AS VIEWED FROM CONNECTOR MOUNTING SIDE  
(FRONT VIEW)



CONNECTOR OUTLINE  
CONTACT LAYOUT  
AS VIEWED FROM CONNECTOR MOUNTING SIDE  
(FRONT VIEW)



SHOULDER SCREW  
SCALE 2:1  
SHOWN FOR REFERENCE ONLY

INCH OR INCH (MM)  THIRD ANGLE PROJECTION UNLESS OTHERWISE SPECIFIED DIMENSIONS ARE IN INCHES (METRIC) TOLERANCES ANGLES ± .5° DECIMALS .XXX ± .010 (.25) .XX ± .02 (.3)	DRAWN HA NGUYEN	DATE 03/07/06	 Tyco Electronics Corporation Menlo Park, Ca 94025 	
	CHECKED			TITLE USER INFORMATION RECOMMENDED PANEL CUTOUT AND CONTACT LAYOUT
	APPROVED		SIZE DWG NUMBER B C = 1648115	REV. A
	APPROVED STEVE FLICKINGER DCA APPROVED HA NGUYEN	03/07/06 03/07/06	ACAD FILE NUMBER C1648115A.DWG	DWG SCALE 1=1 SH 3 OF 3