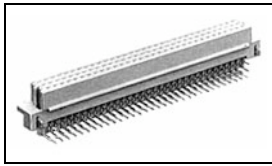


5650897-4 Product Details

[Share](#) [Print](#) [Email](#)



5650897-4

TE Internal Number: 5650897-4

 Active

[View 3D PDF](#)

Eurocard Type R

 Always EU RoHS/ELV Compliant (Statement of Compliance)

Product Highlights:

- Connector Style = Receptacle
- 64 Positions
- PCB Mounting Orientation = Right Angle
- With PCB Mount Retention
- Boardlock(s)

[View all Features](#)

Quick Links

- ▶ [Pricing & Availability](#)
- ▶ [Search for Tooling](#)
- ▶ [View Mating Products \(8\)](#)
- ▶ [Product Feature Selector](#)
- ▶ [Contact Us About This Product](#)

[Add to My Part List](#)

[Request Sample](#)

[Find Similar Products](#)

[Buy Product](#)

Documentation & Additional Information

Product Drawings:

- [ASSEMBLY, RECEPTACLE, EUROCARD, TYPE R, LEAD-FREE, ... \(PDF, English\)](#)

Catalog Pages/Data Sheets:

- None Available

Product Specifications:

- None Available

Application Specifications:

- [Eurocard Connectors Types B,C,M,Q,R, & Enhanced Typ... \(PDF, English\)](#)

Instruction Sheets:

- None Available

CAD Files: [\(CAD Format & Compression Information\)](#)

- [2D Drawing \(DXF, Version 0\)](#)
- [3D Model \(IGES, Version 0\)](#)
- [3D Model \(STEP, Version 0\)](#)

[List all Documents](#)

Additional Information:

- [Product Line Information](#)

Related Products:

- [Tooling](#)
- [Mating Products \(8\)](#)

Product Features (Please use the Product Drawing for all design activity)

Product Type Features:

- [PCB Mounting Orientation](#) = Right Angle
- [PCB Mount Retention](#) = With
- [PCB Mount Retention Type](#) = Boardlock(s)
- [Post Type](#) = Solder Post
- [Guides](#) = Without
- [Make First / Break Last](#) = No
- [DIN Level](#) = II
- [Flux-Tight Coating](#) = Without
- [Color](#) = Gray

Termination Features:

- [Termination Post Length \(mm \[in\]\)](#) = 2.79 [0.110]

Dimensions:

- [PCB Thickness \(Minimum\) \(mm \[in\]\)](#) = 1.57 [0.062]

Contact Features:

- [Contact Cross Section \(mm \[in\]\)](#) = 0.30 x 0.61 [.012 x .024]
- [Contact Base Material](#) = Copper Alloy
- [Contact Plating, Mating Area, Material](#) = DIN 41612 Class 2
- [Solder Tail Contact Plating](#) = Tin

Housing Features:

- [Connector Style](#) = Receptacle
- [Mating Alignment](#) = Without
- [Housing Material](#) = Polymer
- [UL Flammability Rating](#) = UL 94V-0

Configuration Features:

- [Number of Positions](#) = 64
- [Rows Loaded](#) = A, C

Industry Standards:

- [RoHS/ELV Compliance](#) = RoHS compliant, ELV compliant
- [Lead Free Solder Processes](#) = Wave solder capable to 240°C, Wave solder capable to 260°C, Wave solder capable to 265°C
- [RoHS/ELV Compliance History](#) = Always was RoHS compliant

Other:

- [Brand](#) = AMP

Corporate Information

[About TE](#)
[Investors](#)
[News Room](#)
[Supplier Portal](#)

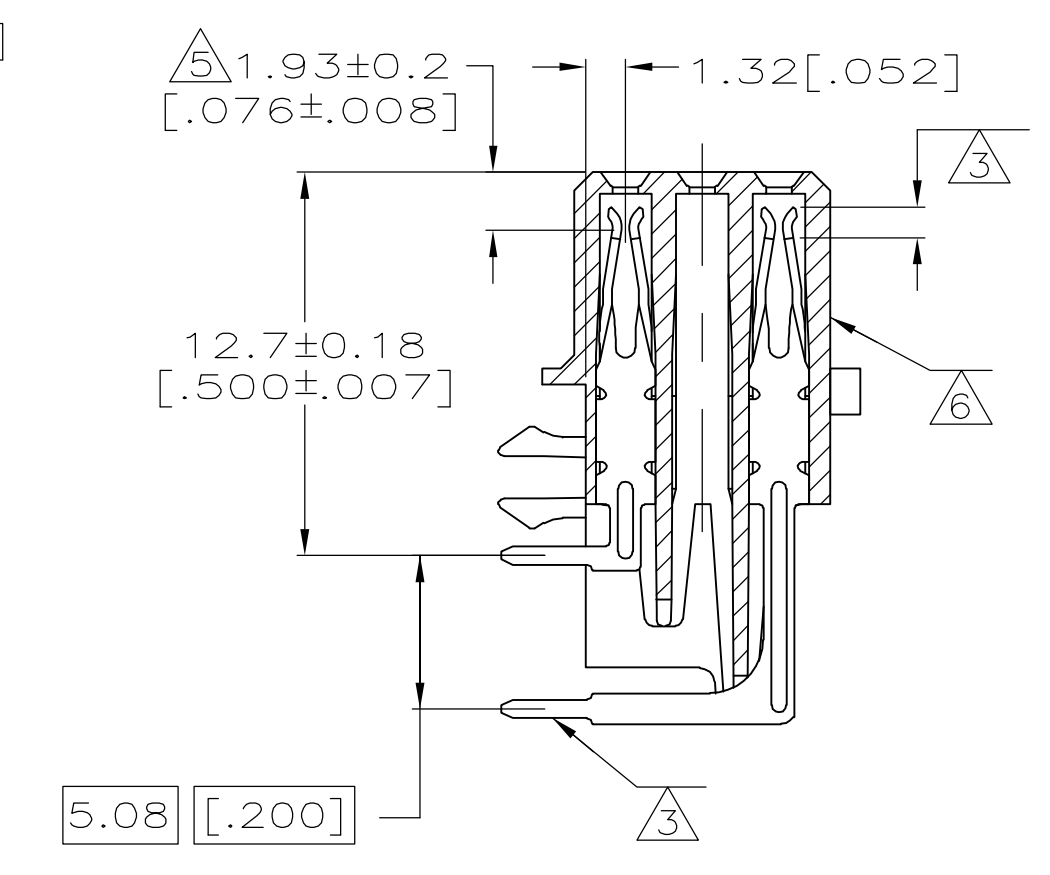
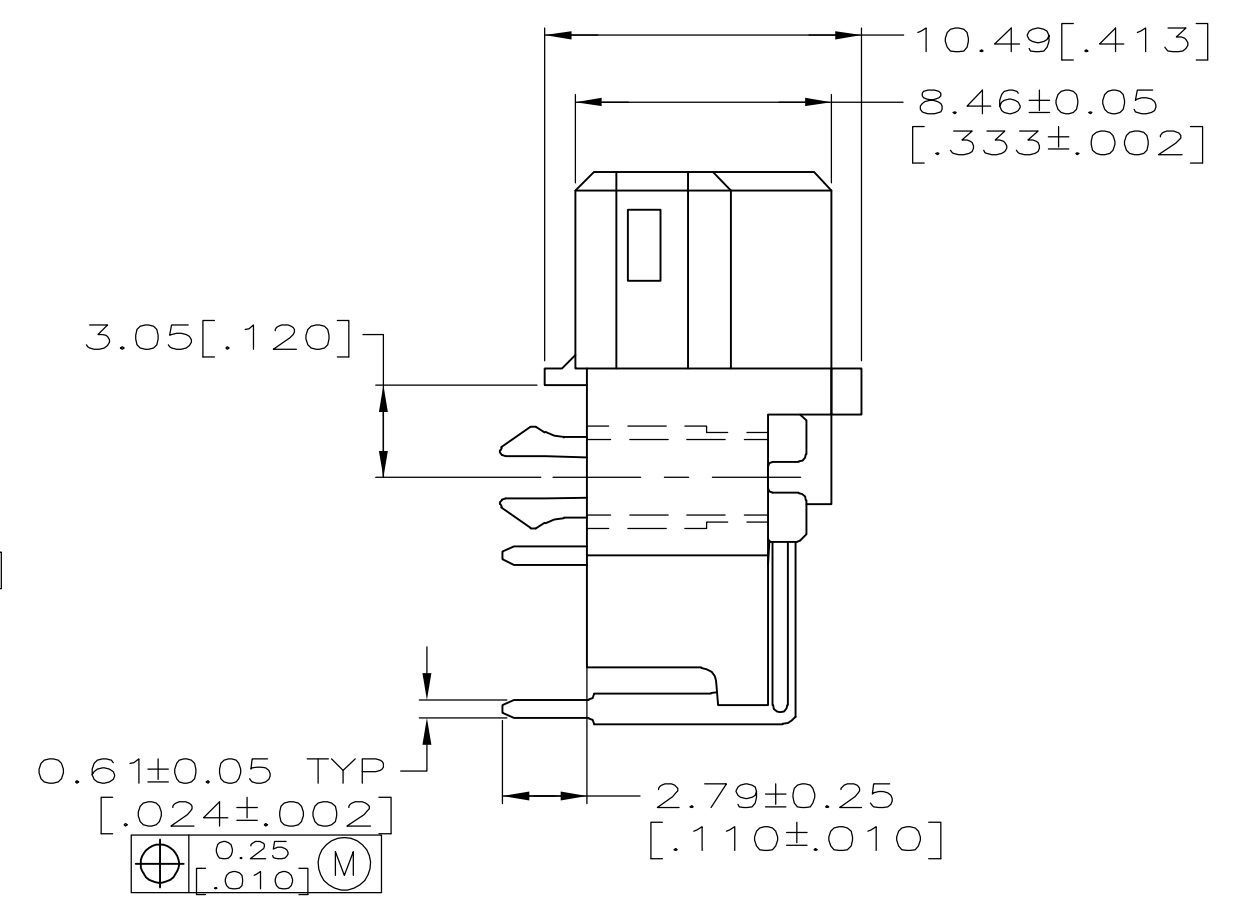
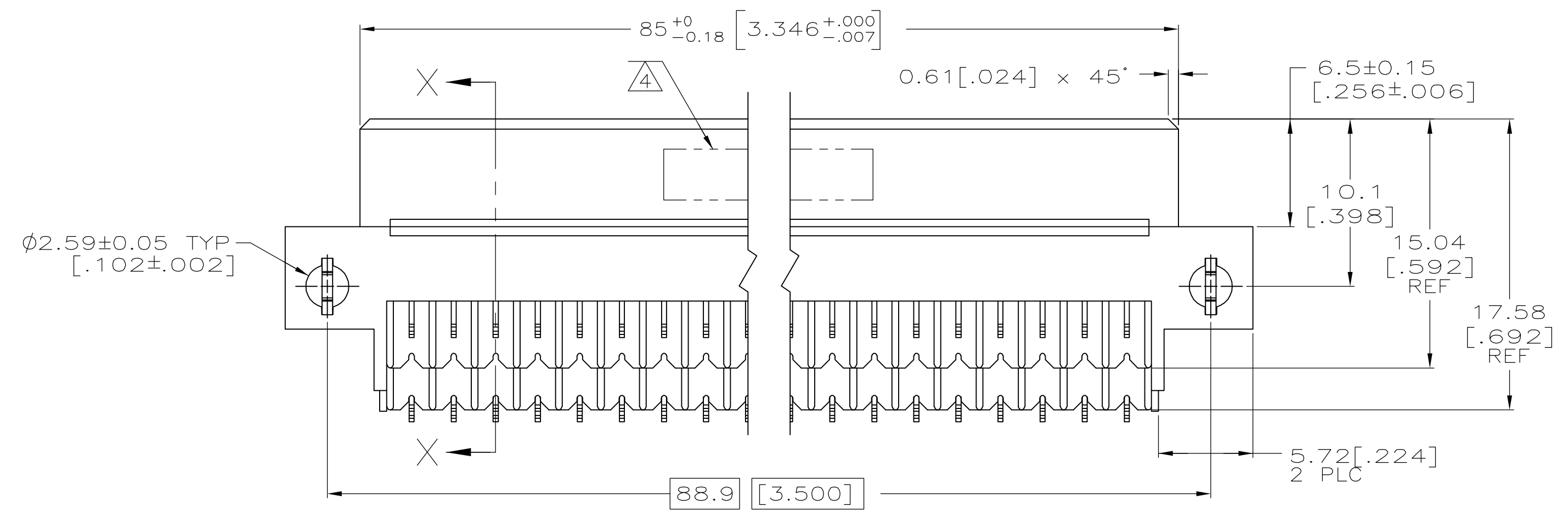
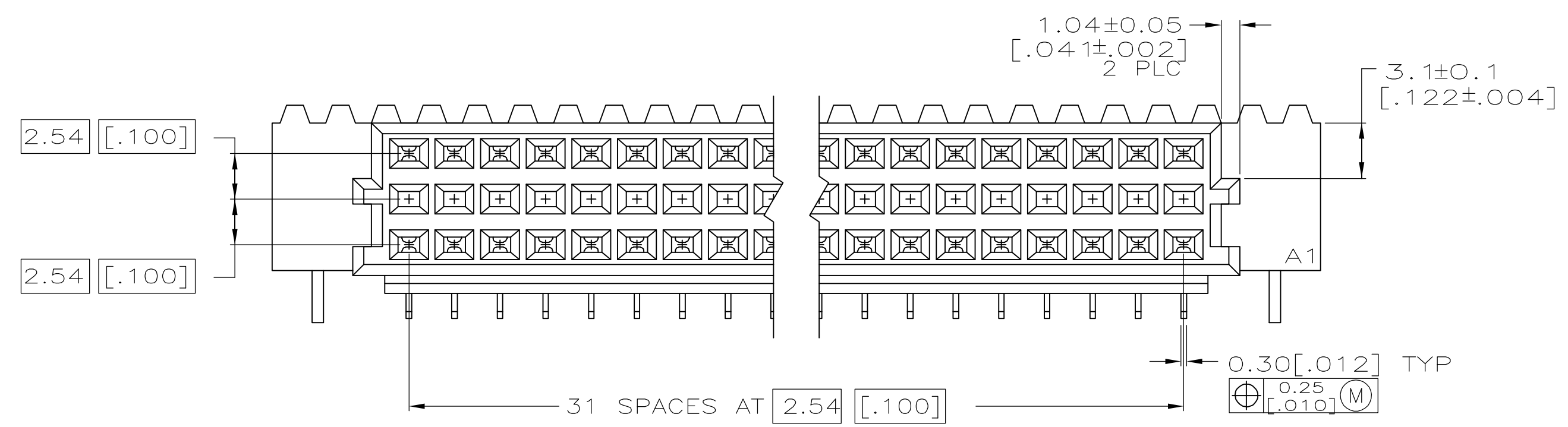
Quick Links

[Distributor Inventory](#)
[Product Cross Reference](#)
[Documents & Drawings](#)
[Product Compliance Support Center](#)

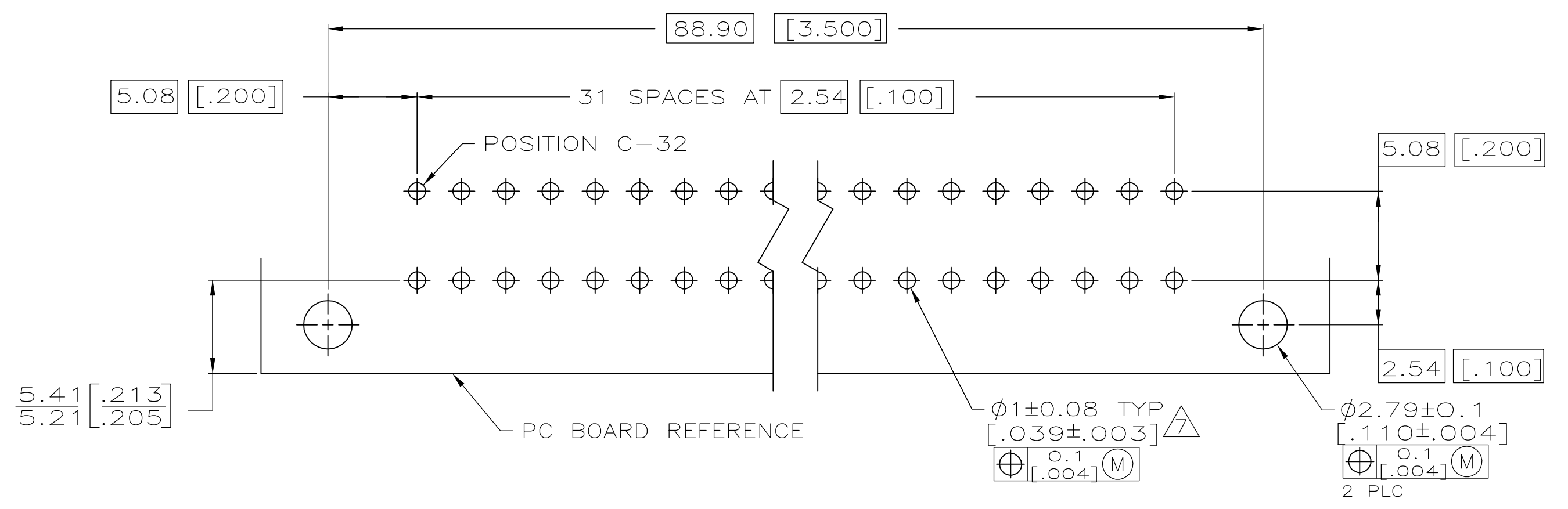
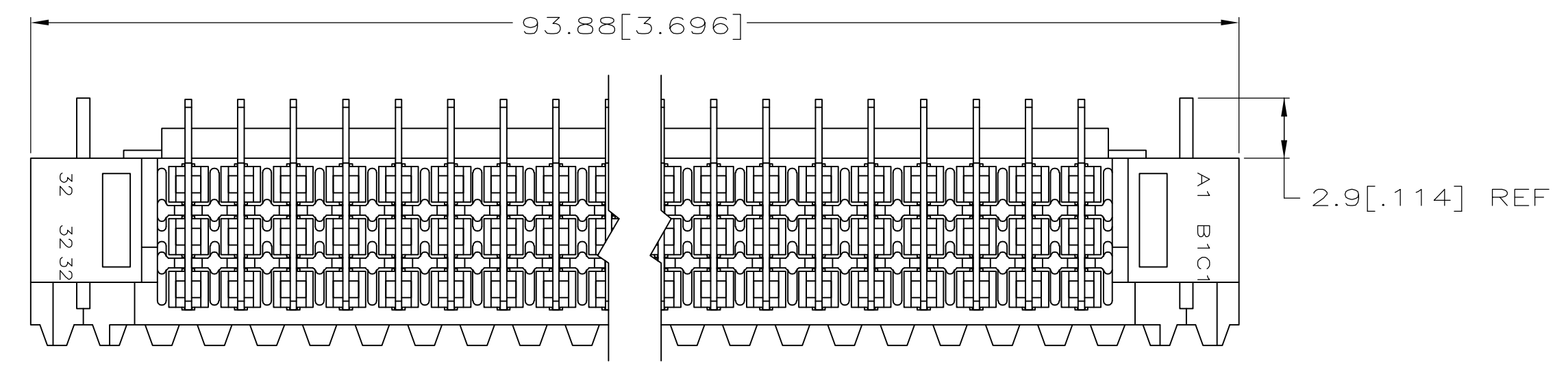
Customer Support

[Email or Chat With Us](#)
[Find a Phone Number](#)
[Knowledge Base](#)
[Manage Your Account](#)

- △ HOUSING MATERIAL: GLASS-FILLED POLYMER.
- △ CONTACT MATERIAL: COPPER ALLOY.
- △ CONTACT FINISH: DIN 41612 CLASS 2 IN CONTACT AREA. TIN PLATE ON POSTS.
- △ PART NUMBER, DATE CODE IDENTIFICATION, CSA LOGO, THIS APPROXIMATE AREA.
- △ CONTACT POINT.
- △ MARKING ON THIS SIDE.
- △ RECOMMENDED HOLE SIZE FOR MANUAL APPLICATION OF CONNECTOR ONTO PC BOARD.



SECTION X-X



PC BOARD LAYOUT
 RECOMMENDED PC BOARD THICKNESS 1.57 [.062]

1-32	X	-	X	64	5650897-5
1-32	X	-	X	64	5650897-4
POSITIONS LOADED	C	B	A	NO. OF LOADED POSITIONS	PART NUMBER

THIS DRAWING IS A CONTROLLED DOCUMENT.

DW	J. POLIGNONE	03JUN05	tyco Electronics	Tyco Electronics Corporation Harrisburg, Pa 17105-3608	
CHK	A. SHARPE	03JUN05		NAME	ASSEMBLY, RECEPTACLE, EUROCARD, TYPE R, LEAD-FREE, A and C, 64/96 POSITION, 2.79 [.110] SOLDER POSTS, WITH BOARD LOCKS
APP'D	A. SHARPE	03JUN05	PRODUCT SPEC	SIZE	CAGE CODE
			APPLICATION SPEC	DRAWING NO	RESTRICTED TO
				A1	00779
MATERIAL			WEIGHT		

CUSTOMER DRAWING SCALE 4:1 SHEET 1 OF 1 REV 0