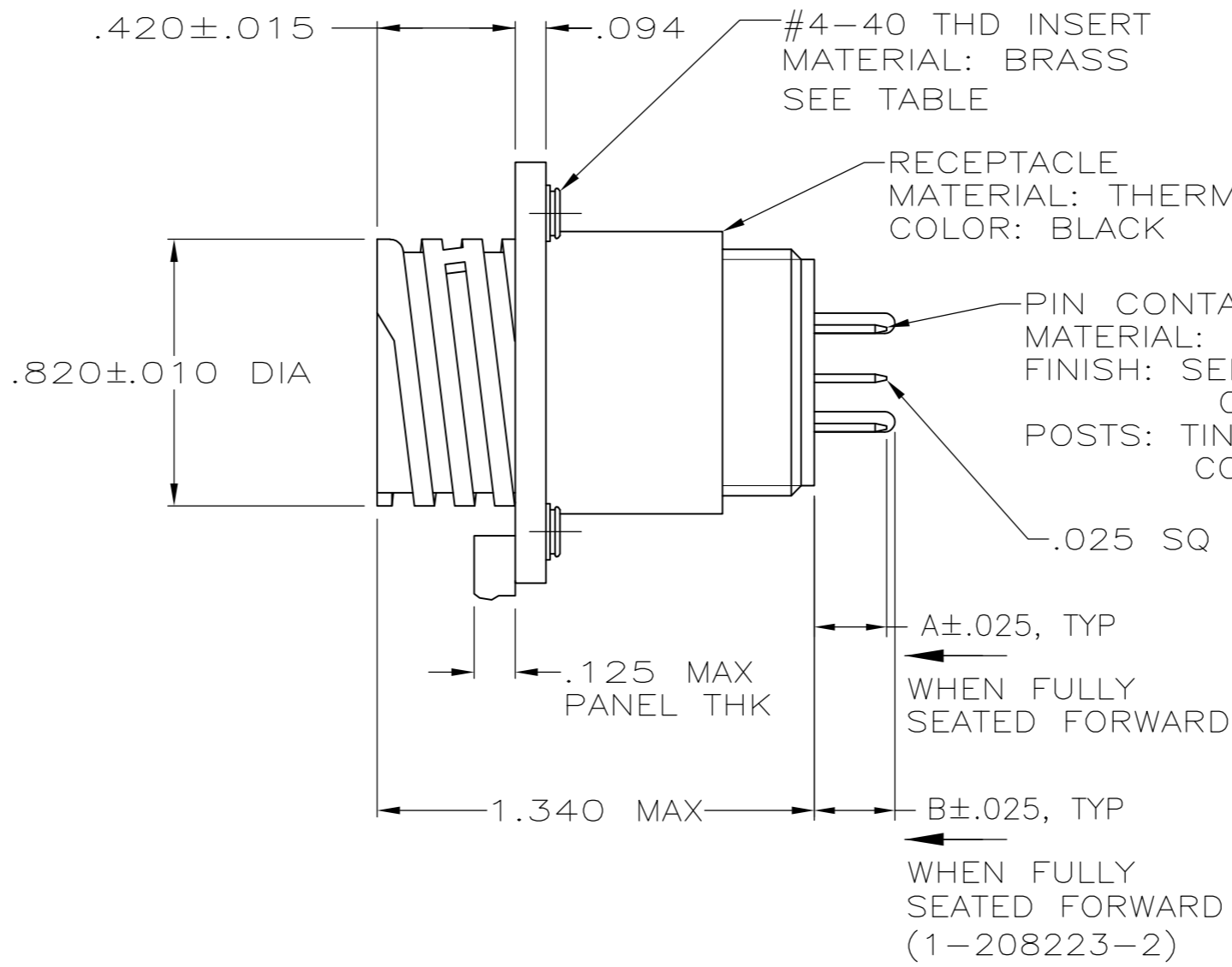
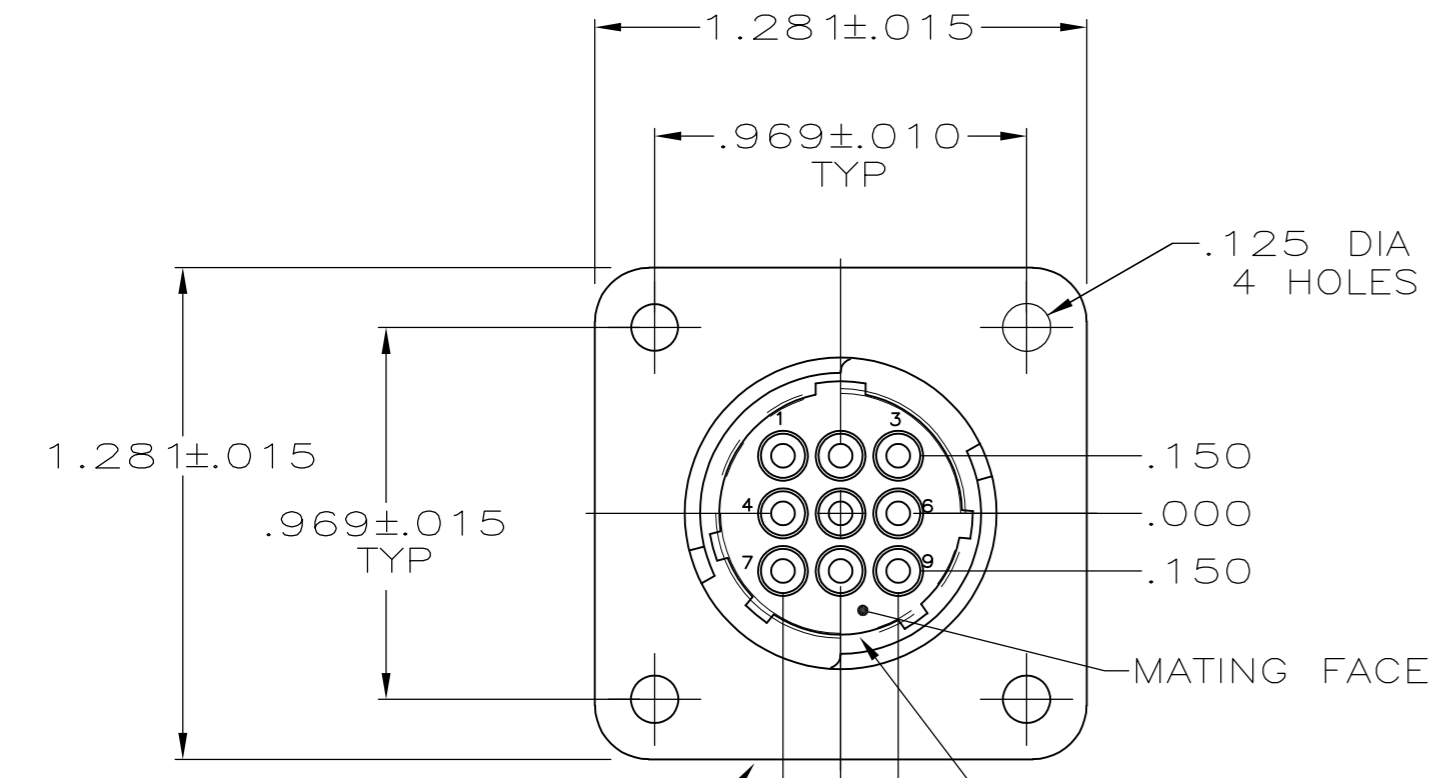
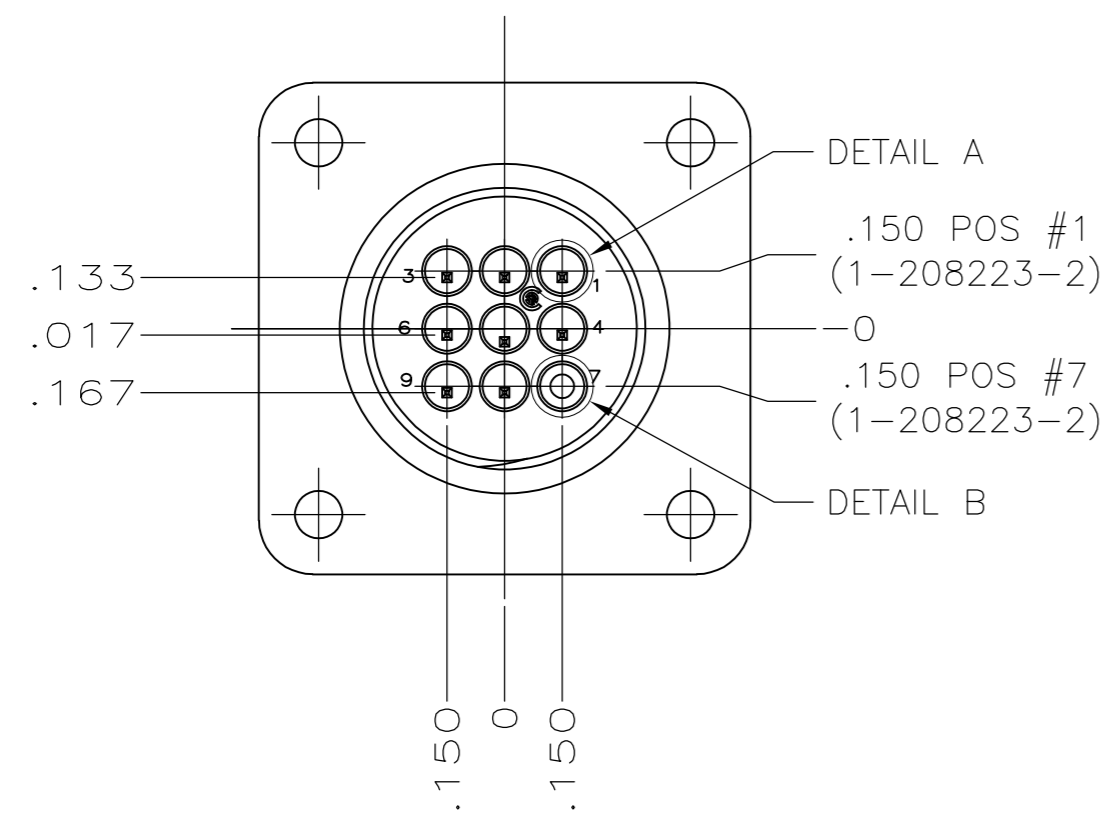


THIS DRAWING IS UNPUBLISHED. RELEASED FOR PUBLICATION
 © COPYRIGHT - By - ALL RIGHTS RESERVED.

LOC		DIST		REVISIONS			
P	LTR	DESCRIPTION	DATE	DWN	APVD		
FT	0						
	T	REVISED PER ECO-12-015665	26SEP12	KH	MZ		

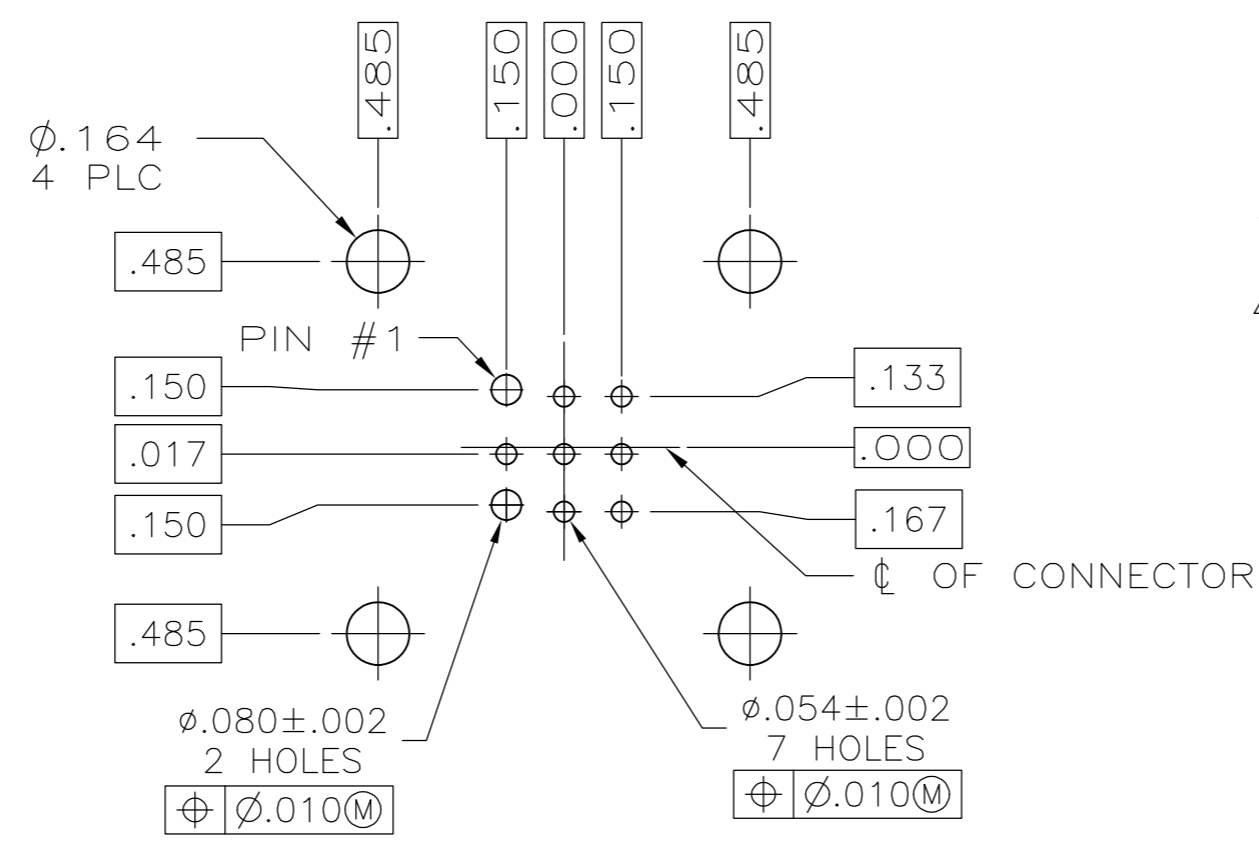
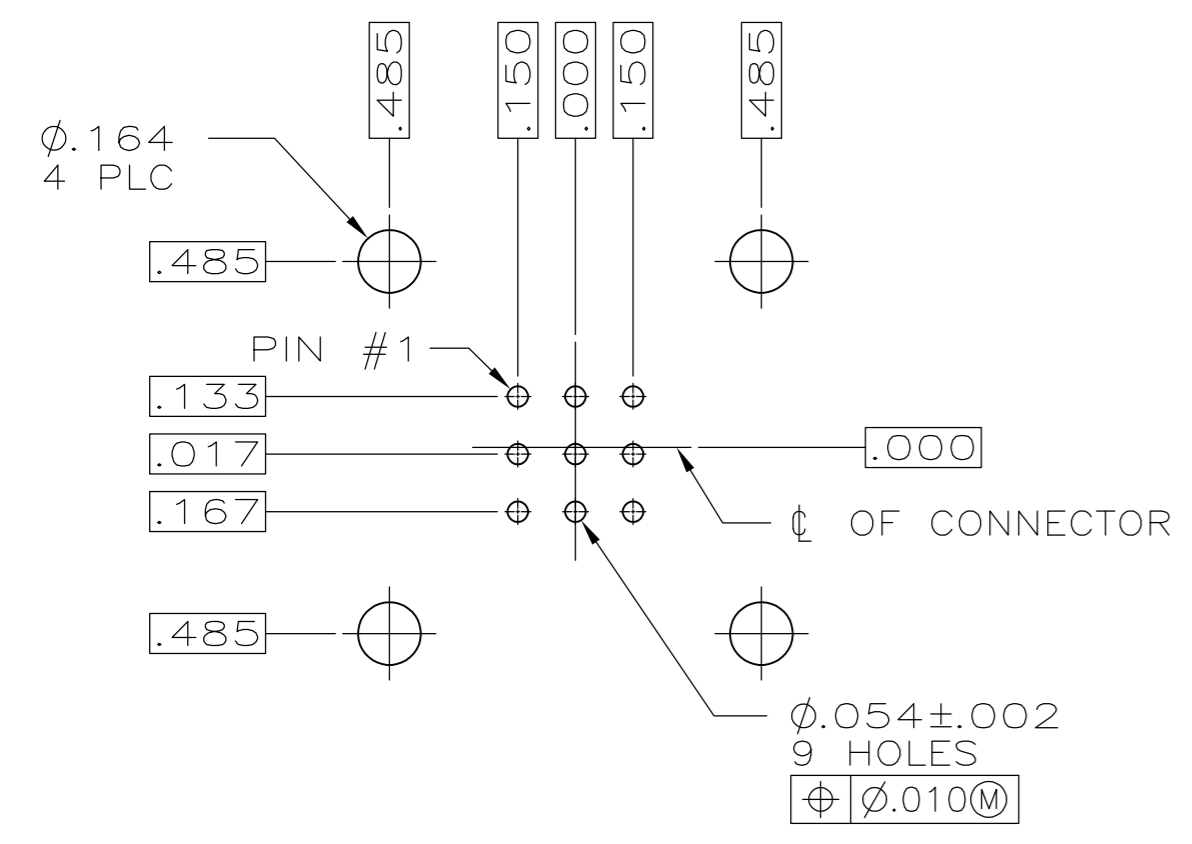


PART NUMBER AND DATE CODE MARKED ON ANY FLANGE EDGE



- 1 1-66460-0 WILL BE SELECTIVELY LOADED INTO POSITIONS 2, 4, 6, 7, 9 AND 66464-3 WILL BE LOADED INTO POSITIONS 1, 3, 5, 8 OF THE HOUSING.
- 2 LOAD ALL POSITIONS EXCEPT POSITION NUMBER 4.
- 3 TIN PLATED CONTACTS.
- 4 194264-1 LOADED INTO POSITIONS 1 & 7.
- 5 OBSOLETE PARTS: OBSOLETE CIS STREAMLINING PER D.RENAUD/D.SINISI

	B	A	PERIPHERAL SEAL	THREADED INSERTS	PART NUMBER
4	.245	.220	NO	YES	1-208223-2
3	-	.220	YES	YES	1-208223-1
3	-	.220	NO	YES	1-208223-0
3	-	.220	NO	NO	208223-9
PRELIMINARY	-	.220	YES	NO	208223-8
PRELIMINARY	-	.220	NO	NO	208223-7
PRELIMINARY	-	.618	NO	YES	208223-6
OBSOLETE	-	.220	YES	YES	208223-5
1	-	.220	NO	NO	208223-4
-	-	.220	NO	YES	208223-3
OBSOLETE	-	.429	NO	NO	208223-2
-	-	.220	NO	NO	208223-1



RECOMMENDED P.C. BOARD LAYOUT

RECOMMENDED P.C. BOARD LAYOUT (1-208223-2 ONLY)

THIS DRAWING IS A CONTROLLED DOCUMENT.

DIMENSIONS: INCHES	TOLERANCES UNLESS OTHERWISE SPECIFIED:	DWN R.LEE BG 6-22-91	TE Connectivity
		CHK W.G.LENKER 4-14-92	
		APVD -	RECEPTACLE ASSEMBLY, POSTED, STD SEX, SERIES 1, 13-9, CPC
		PRODUCT SPEC 108-10024	
		APPLICATION SPEC	
MATERIAL SEE CALLOUT	FINISH SEE CALLOUT	WEIGHT -	RESTRICTED TO -
		CUSTOMER DRAWING	SCALE 2:1 SHEET 1 of 1 REV T