

1-5103308-3 Product Details



1-5103308-3

TE Internal Number: 1-5103308-3

 Active

AMP-LATCH Pin and Pinless Headers

 Always EU RoHS/ELV Compliant (Statement of Compliance)

Product Highlights:

- Header
- Header Type = Pin Header
- AMP-LATCH Product Line
- Low Profile
- 24 Positions

Documentation & Additional Information

Product Drawings:

- [HEADER ASSY, VERTICAL, LOW PROFILE, AMP-LATCH](#) (PDF, English)

Catalog Pages/Data Sheets:

- [AMPMODU_INTERCONNECTION_SYSTEM_SECTIONS](#) (PDF, English)
- [Ribbon Cable Interconnect Solutions](#) (PDF, English)

Product Specifications:

- [AMP-LATCH and IDC Header Connectors, .100 x .100 Inc...](#) (PDF, English)

Application Specifications:

- None Available

Instruction Sheets:

- None Available

CAD Files: ([CAD Format & Compression Information](#))

- [2D Drawing](#) (DXF, Version B)
- [3D Model](#) (IGES, Version B)
- [3D Model](#) (STEP, Version B)

Additional Information:

- [Product Line Information](#)

Related Products:

- [Tooling](#)
- [Mating Products \(5\)](#)

Product Features (Please use the Product Drawing for all design activity)

Product Type Features:

- Connector Type = Header
- Product Line = AMP-LATCH
- Profile = Low
- PCB Mounting Orientation = Vertical
- PCB Mount Retention = Without
- Mating Connector Lock = Without
- Ejection Latches = Without
- Post Size (mm [in]) = 0.64 [.025]
- Shrouded = Yes

Electrical Characteristics:

- Current Rating (A) = 1
- Insulation Resistance (MΩ) = 5,000

Termination Features:

- [Termination Post Length](#) (mm [in]) = 3.05 [0.120]
- Solder Tail Contact Plating = Tin over Nickel

Dimensions:

- [Shrouded] End Dimension (mm [in]) = 3.81 [0.150]

Body Features:

- Header Type = Pin Header
- Daisy Chain = With

Contact Features:

- [Contact Plating](#), [Mating Area](#), [Material](#) = Gold (15), Gold Flash over Palladium Nickel
- Contact Shape = Square
- Contact Base Material = Copper Alloy

Housing Features:

- [Centerline, Matrix](#) (mm [in]) = 2.54 x 2.54 [.100 x .100]
- [Mating Alignment Type](#) = Center, Dual Polarizing Bar
- [Housing Style](#) = 4-Sided
- Mating Alignment = With
- Housing Material = Thermoplastic - GF
- UL Flammability Rating = UL 94V-0
- Housing Color = Black

Configuration Features:

- [Number of Positions](#) = 24

Industry Standards:

- [RoHS/ELV Compliance](#) = RoHS compliant, ELV compliant
- [Lead Free Solder Processes](#) = Wave solder capable to 240°C, Wave solder capable to 260°C, Wave solder capable to 265°C
- RoHS/ELV Compliance History = Always was RoHS compliant
- Approved Standards = UL E28476, CSA LR7189

Environmental:

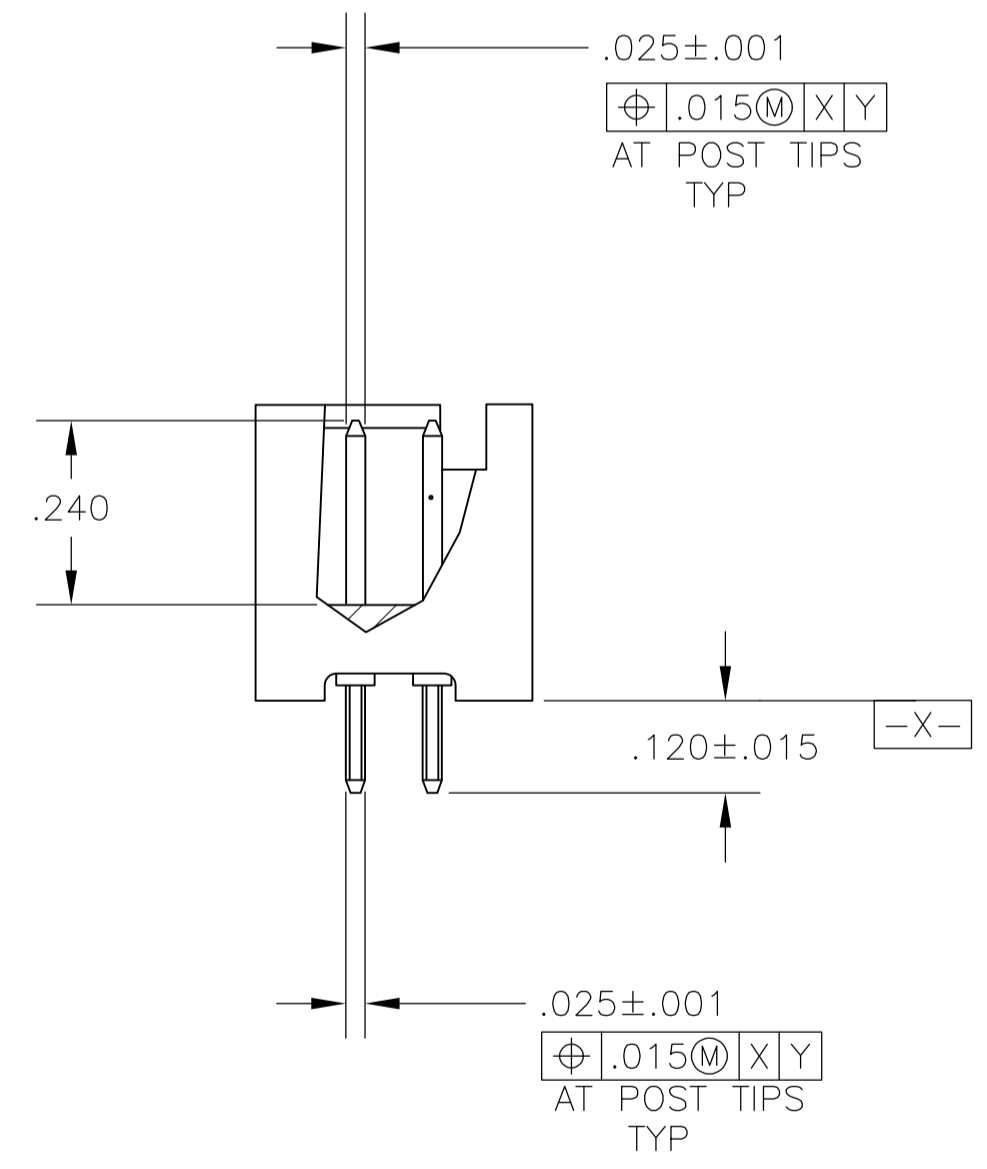
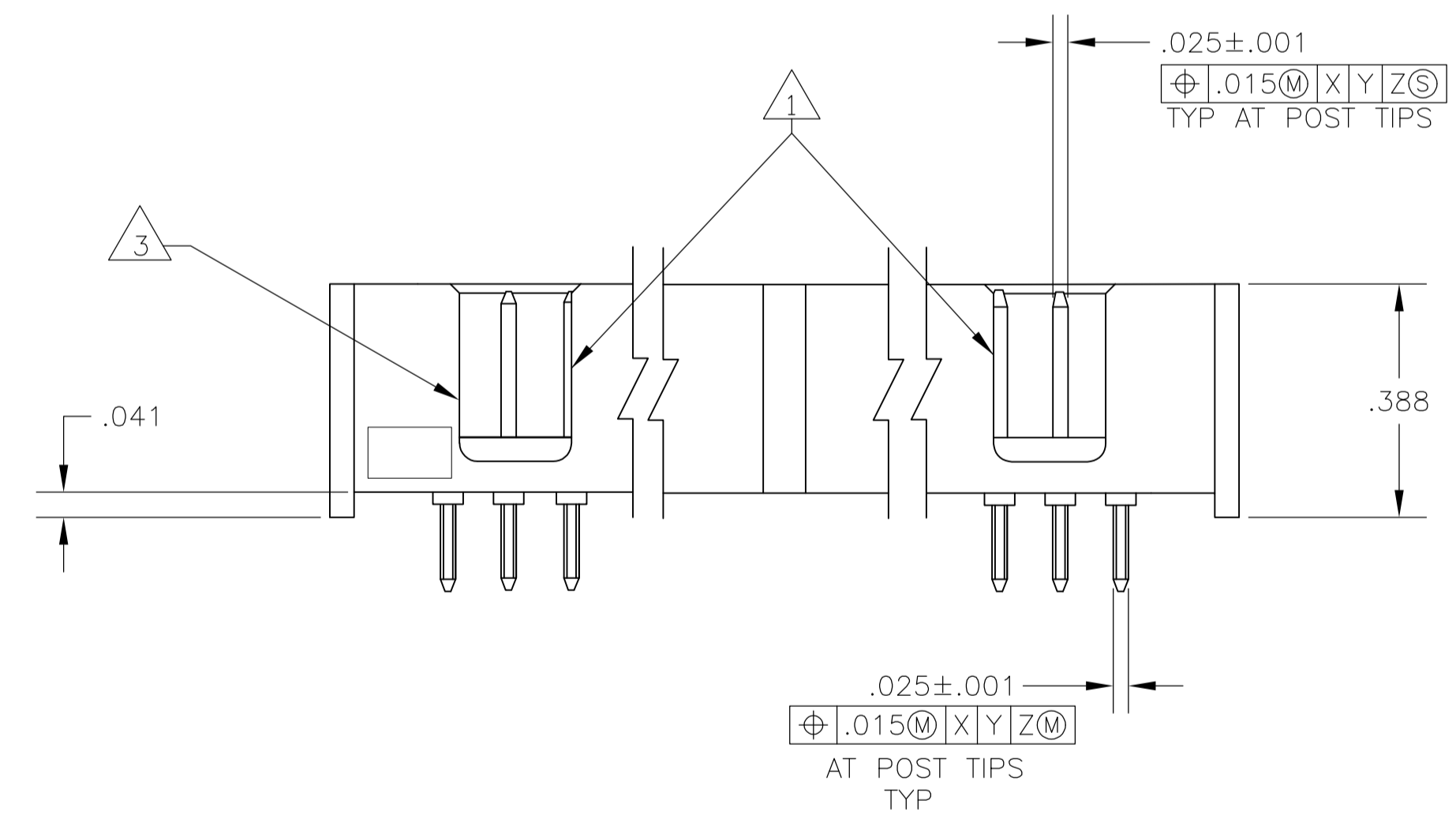
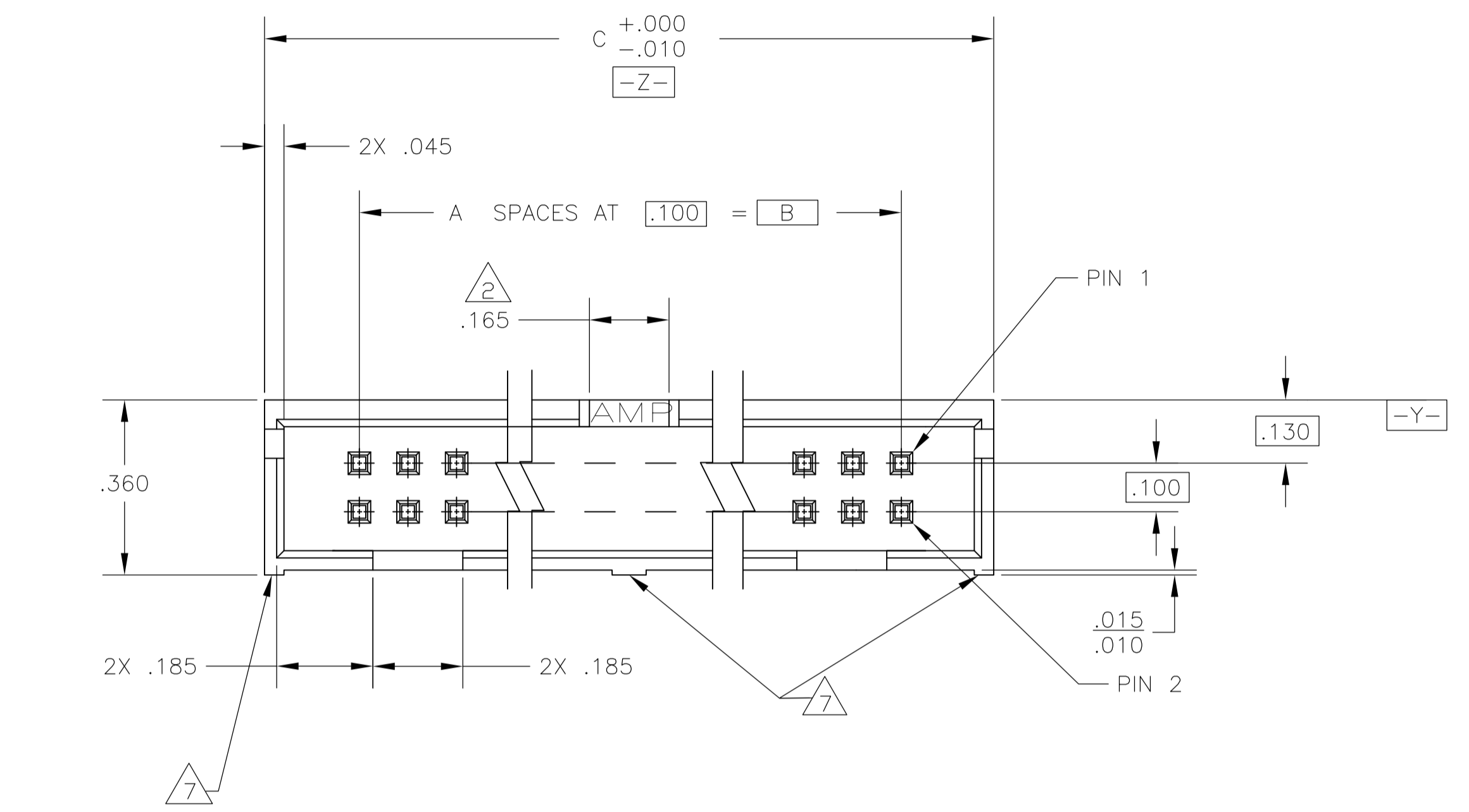
- Operating Temperature (°C) = -65 – +105

Conditions for Usage:

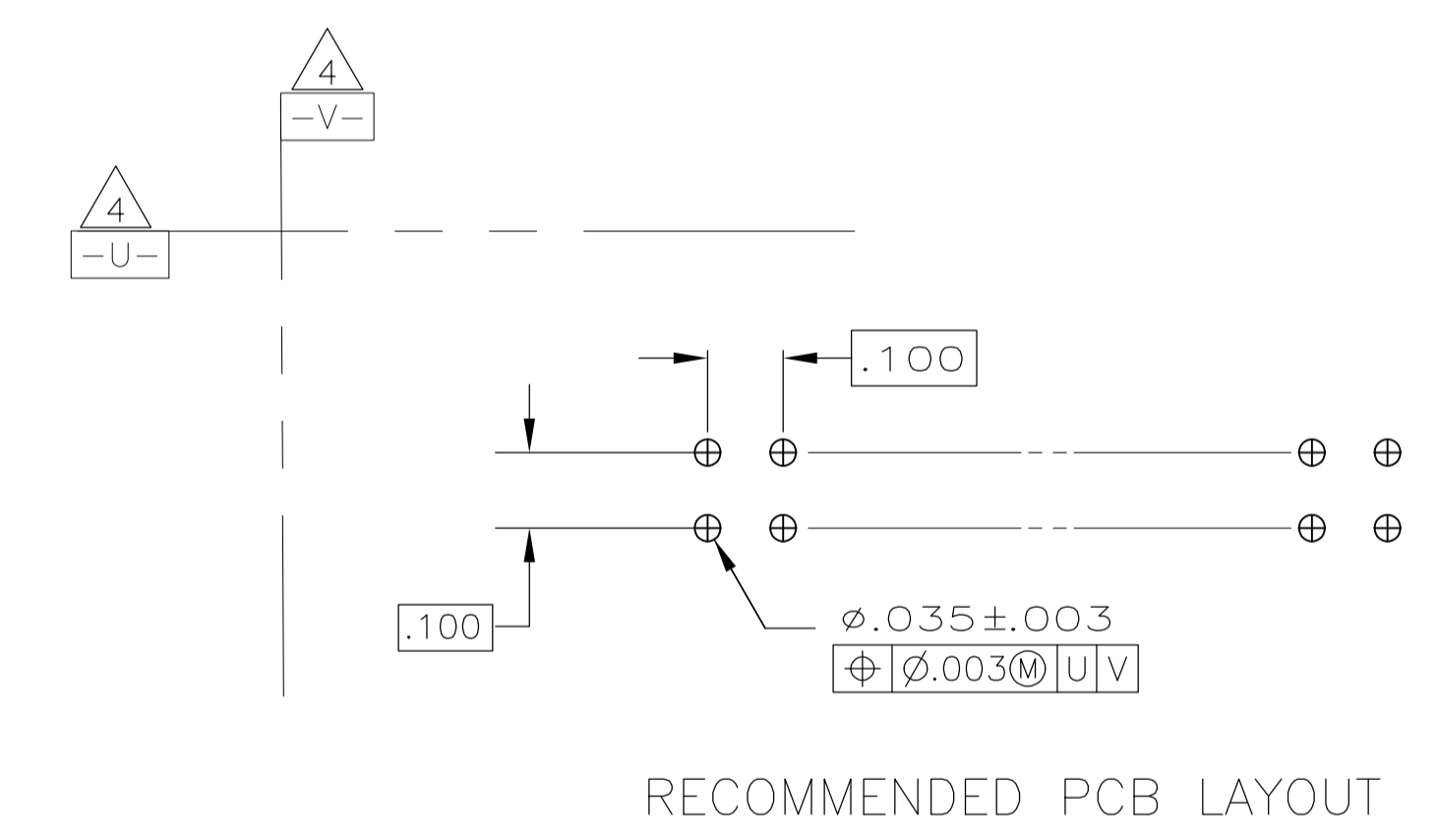
- [Temperature Rating](#) = Standard

Other:

- Brand = AMP



- 1 DOUBLE BAR POLARIZATION SLOTS.
- 2 CENTER POLARIZATION SLOT.
- 3 FOR 10 POSN ASSEMBLY, SLOT OMITTED IN THIS LOCATION.
- 4 DATUMS U AND V TO BE ESTABLISHED BY THE CUSTOMER.
- 5 HOUSING: GLASS FILLED NYLON OR PBT, BLACK, UL 94V-0 RATED. POSTS: BRASS.
- 6 POSTS: GOLD FLASH OVER PALLADIUM-NICKEL PLATE, .000015 MIN TOTAL ON THE MATING SURFACES, .000100 MIN TIN PLATE ON THE SOLDER-TAILS, .000050 MIN NICKEL UNDERPLATE ON THE ENTIRE POST.
-OR-
.000015 MIN GOLD PLATE ON THE MATING SURFACES, .000100 MIN TIN PLATE ON THE SOLDER-TAILS, .000050 MIN NICKEL UNDERPLATE ON THE ENTIRE POST.
- 7 RIBS:
ALL POSITION SIZES-2 LOCATED AT ENDS OF HOUSING.
20 THRU 34 POSITION SIZES-1 ADDITIONAL RIB CENTERED ON HOUSING.
40 THRU 60 POSITION SIZES- 2 ADDITIONAL RIBS EVENLY SPACED WITHIN REMAINING LENGTH OF HOUSING.



1.500	1.100	11	24	1-5103308-3
3.300	2.900	29	60	1-5103308-2
2.800	2.400	24	50	1-5103308-0
2.300	1.900	19	40	5103308-8
2.000	1.600	16	34	5103308-7
1.600	1.200	12	26	5103308-6
1.300	.900	9	20	5103308-5
1.100	.700	7	16	5103308-3
1.000	.600	6	14	5103308-2
.800	.400	4	10	5103308-1
C	B	A	NO OF POSN	PART NUMBER

THIS DRAWING IS A CONTROLLED DOCUMENT.

DIMENSIONS: INCHES	TOLERANCES UNLESS OTHERWISE SPECIFIED:	0 PLC ± -	1 PLC ± -	2 PLC ± -	3 PLC ± .005	4 PLC ± -	ANGLES ± -
--------------------	--	-----------	-----------	-----------	--------------	-----------	------------

MATERIAL: 5 FINISH: 6

APPROVED BY: S. BOLASH	DATE: 01 NOV 05	NAME: M. WALMSLEY
APPROVED BY: B. LATTUCA	DATE: 01 NOV 05	NAME:

PRODUCT SPEC: 108-40018

APPLICATION SPEC: -

SIZE: A1 CAGE CODE: 00779 DRAWING NO: 5103308

WEIGHT: -

CUSTOMER DRAWING

SCALE: 4:1 SHEET: 1 OF 1 REV: E

STE TE Connectivity

HEADER ASSY, VERTICAL, LOW PROFILE, AMP-LATCH