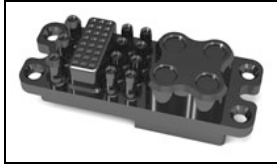


1648578-1 Product Details



1648578-1

TE Internal Number: 1648578-1



High Current ELCON Drawer Connectors

 Always EU RoHS/ELV Compliant (Statement of Compliance)

Product Highlights:

- Connector
- Not Preloaded
- Connector Style = Receptacle
- Contact Size = 0, 12, 20
- Drawer Style = Double

Documentation & Additional Information

Product Drawings:

- [CONNECTOR, SOCKET WITH RETENTION CLIPS, DOUBLE DRAWER](#) (PDF, English)

Catalog Pages/Data Sheets:

- [POWER_CONNECTORS_CATALOG_SEC02_CABLE_MOUNTED](#) (PDF, English)
- [AMP & ELCON Power Connector Layout Forms Datasheet 6...](#) (PDF, English)

Product Specifications:

- None Available

Application Specifications:

- [ELCON Drawer Series Connectors](#) (PDF, English)

Instruction Sheets:

- None Available

CAD Files: (CAD Format & Compression Information)

- [2D Drawing](#) (DXF, Version A)
- [3D Model](#) (IGES, Version A)
- [3D Model](#) (STEP, Version A)

Additional Information:

- [Product Line Information](#)

Related Products:

- [Tooling](#)
- [Mating Products \(1\)](#)

Product Features (Please use the Product Drawing for all design activity)

Product Type Features:

- Product Type = Connector

Electrical Characteristics:

- Current Rating (A) = 200

Body Features:

- Drawer Style = Double
- Mount Type = Fixed

Contact Features:

- Contact Size = 0, 12, 20

Housing Features:

- Connector Style = Receptacle
- Housing Material = Thermoplastic - GF
- Housing Color = Black
- UL Flammability Rating = UL 94V-0

Configuration Features:

- Preloaded = No
- Type of Contact = Size 0 + Size 12 + Size 20

Industry Standards:

- [RoHS/ELV Compliance](#) = RoHS compliant, ELV compliant
- [Lead Free Solder Processes](#) = Wave solder capable to 240°C, Wave solder capable to 260°C, Wave solder capable to 265°C
- [RoHS/ELV Compliance History](#) = Always was RoHS compliant

Other:

- Brand = Elcon

4

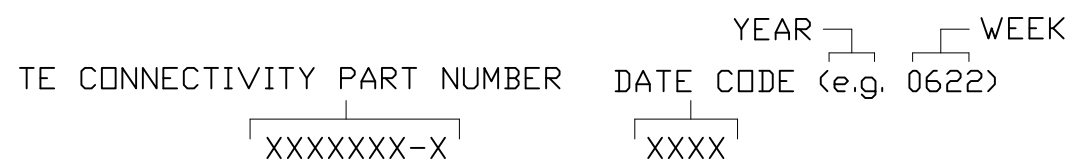
3

2

1

REVISIONS			
EC	REV	DESCRIPTION	DATE
CPR	A1	REVISED PER ECO-11-005140	24MAR11

- 7. CONTACTS PURCHASED SEPARATELY.
- 6. ELCON EQUIVALENT SERIES 296-0049-01100.
- 5. ITEMS PROVIDED TO THIS SPECIFICATION TO BE PERMANENTLY IDENTIFIED PER THE FOLLOWING IDENTIFIER:



4 A REFERENCE DIMENSION (X.XX) IS WITHOUT TOLERANCE AND USED FOR INFORMATION ONLY.

3. FINISHES:
RETENTION CLIPS: BRITE DIP PICKLED PER INDUSTRY STANDARDS.

2. MATERIALS:
INSULATORS: THERMOPLASTIC, GLASS REINFORCED, UL94V-0 FLAMMABILITY RATED, COLOR-BLACK.

RETENTION CLIPS: COPPER OR STAINLESS STEEL.

1. PART NUMBER CHANGES AND OR DESIGN CHANGES AFFECTING ITEM INTERCHANGEABILITY REQUIRE PRIOR TE CONNECTIVITY APPROVAL AND AUTHORIZATION BY REVISION TO THIS DRAWING.

NOTES: UNLESS OTHERWISE SPECIFIED

PART NUMBER
1648578-1

<p>THIRD ANGLE PROJECTION</p> <p>UNLESS OTHERWISE SPECIFIED DIMENSIONS ARE IN INCHES (METRIC)</p> <p>TOLERANCES</p> <p>ANGLES ± .5°</p> <p>DECIMALS</p> <p>.XXX ± .010 (.25)</p> <p>.XX ± .02 (.3)</p>	<p>INCH OR INCH (MM)</p> <p>MM</p>	<p>DRAWN</p> <p>R. F. A.</p>	<p>DATE</p> <p>3/22/06</p>		
	<p>CHECKED</p>	<p>TITLE</p> <p>CONNECTOR, SOCKET WITH RETENTION CLIPS DOUBLE DRAWER</p>			
	<p>APPROVED</p>	<p>APPROVED</p> <p>S. FLICKINGER</p>	<p>SIZE</p> <p>B</p>	<p>DWG NUMBER</p> <p>C= 1648578</p>	<p>REV.</p> <p>A1</p>
	<p>DCA APPROVED</p>	<p>ACAD FILE NUMBER</p> <p>C1648578A.DWG</p>	<p>DWG SCALE</p> <p>1=1</p>	<p>SH</p> <p>1 OF 3</p>	

4

3

2

1

4

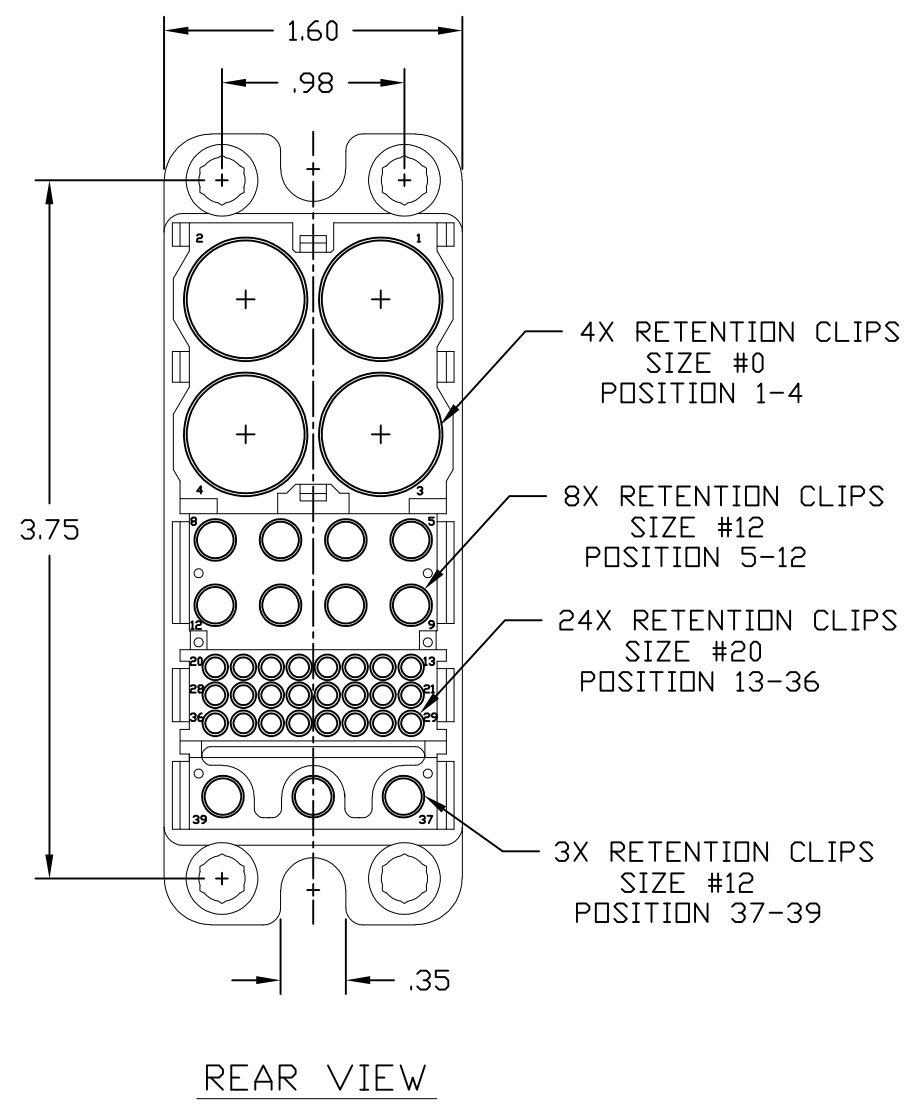
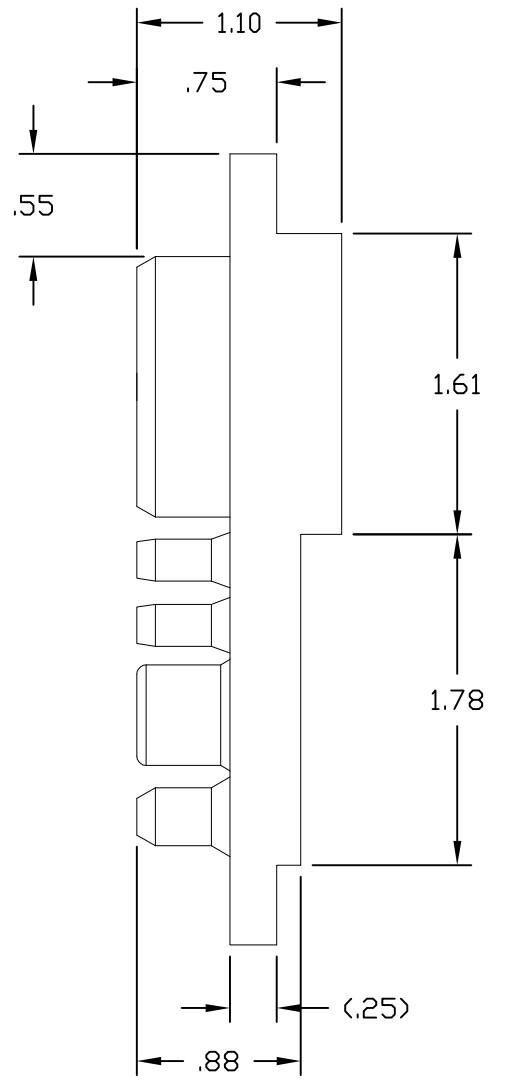
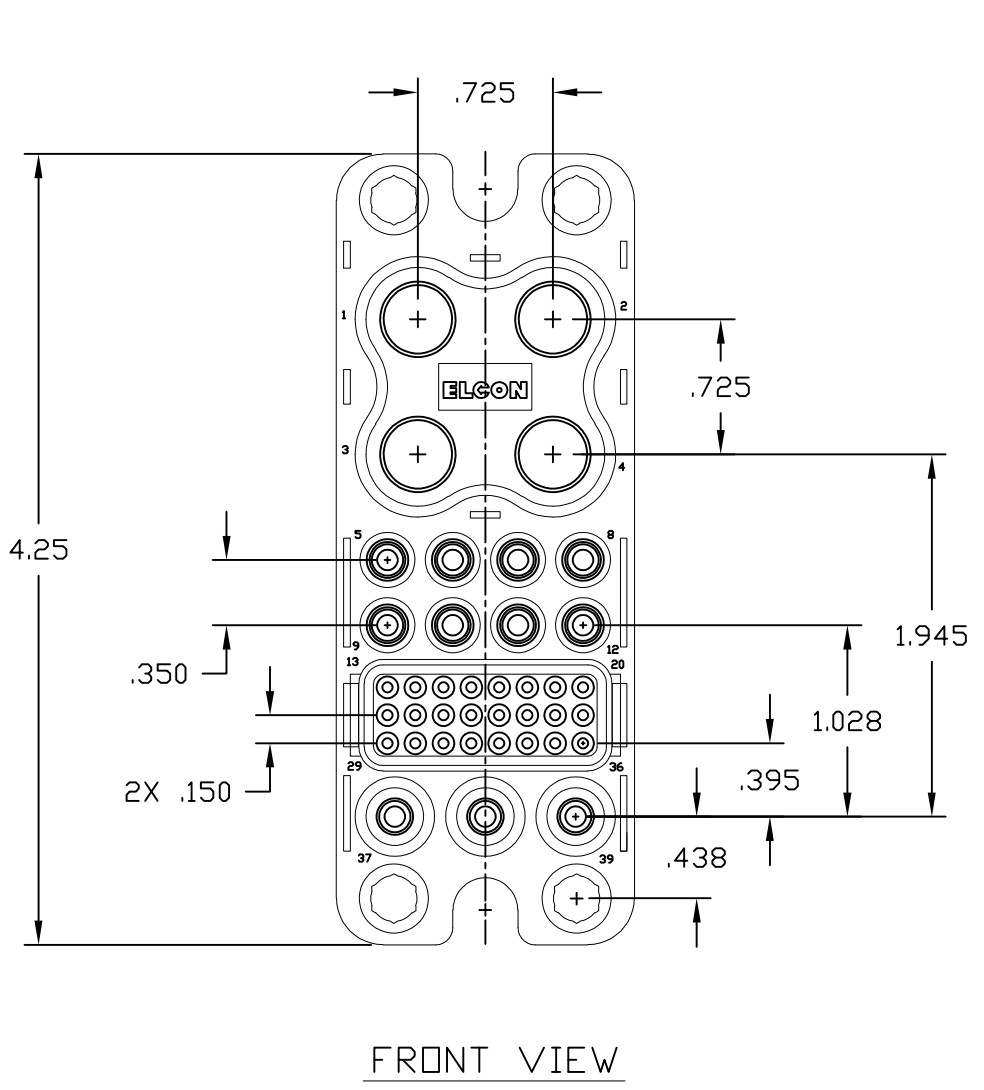
3

2

1

REVISIONS

EC	REV	DESCRIPTION	DATE
		SEE SHEET 1	



INCH OR INCH (MM) MM THIRD ANGLE PROJECTION UNLESS OTHERWISE SPECIFIED DIMENSIONS ARE IN INCHES (METRIC) TOLERANCES ANGLES ± .5° DECIMALS .XXX ± .010 (.25) .XX ± .02 (.3)	DRAWN R. F. A.	DATE 3/22/06	TE Connectivity	
	CHECKED		TITLE CONNECTOR, SOCKET WITH RETENTION CLIPS DOUBLE DRAWER	
	APPROVED S. FLICKINGER		SIZE B	DWG NUMBER C= 1648578
	DCA APPROVED			REV. A1
	ACAD FILE NUMBER C1648578A.DWG		DWG SCALE 1=1	SH 2 OF 3

4

3

2

1

B

B

A

A

4

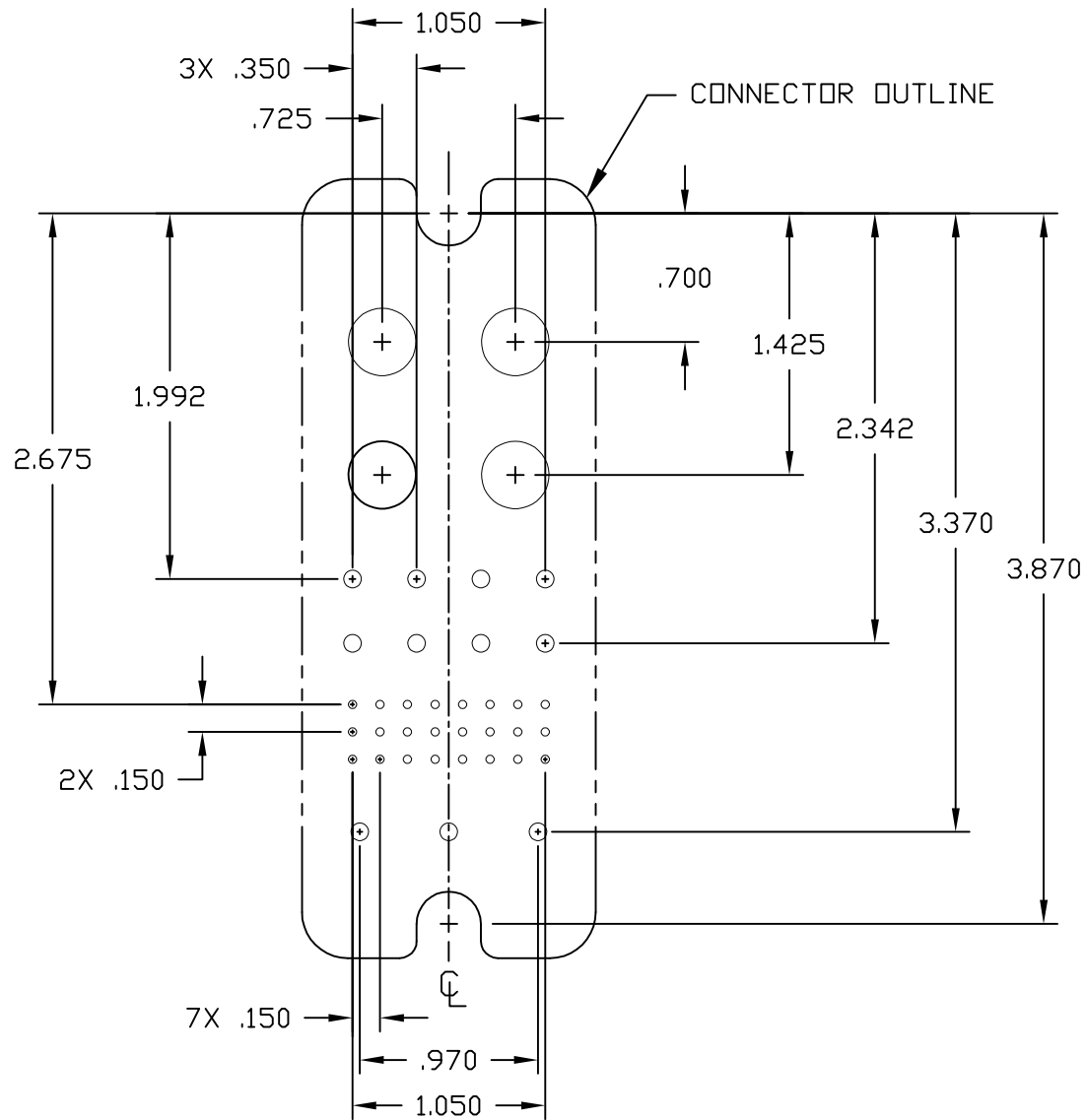
3

2

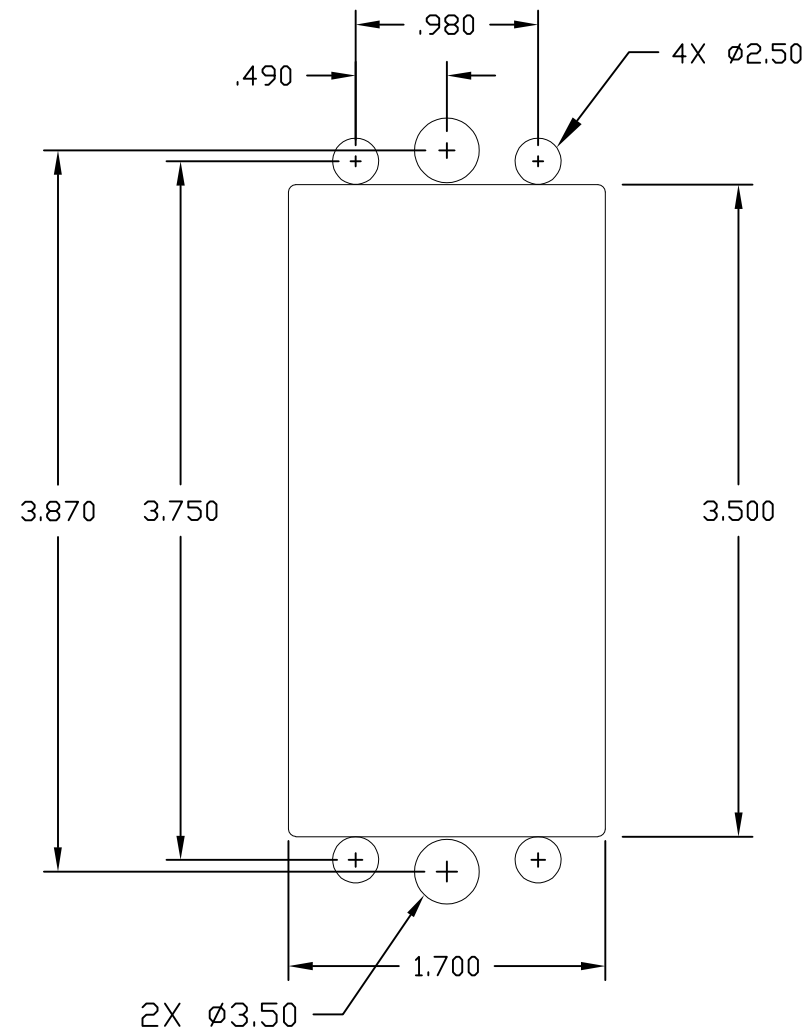
1

REVISIONS

EC	REV	DESCRIPTION	DATE
		SEE SHEET 1	



SUGGESTED PCB LAYOUT



SUGGESTED PANEL CUTOUT
(VIEWED FROM CONNECTOR MOUNTING SIDE)

INCH OR INCH (MM) THIRD ANGLE PROJECTION UNLESS OTHERWISE SPECIFIED DIMENSIONS ARE IN INCHES (METRIC) TOLERANCES ANGLES ± .5° DECIMALS .XXX ± .010 (.25) .XX ± .02 (.3)	DRAWN R. F. A.	DATE 3/22/06	TE Connectivity
	CHECKED	TITLE CONNECTOR, SOCKET WITH RETENTION CLIPS PANEL CUTOUT AND PCB LAYOUT	
APPROVED	APPROVED S. FLICKINGER	SIZE B	DWG NUMBER C= 1648578
DCA APPROVED	ACAD FILE NUMBER C1648578A.DWG	DWG SCALE 1=1	REV. A1
		SH 3 OF 3	

4

3

2

1