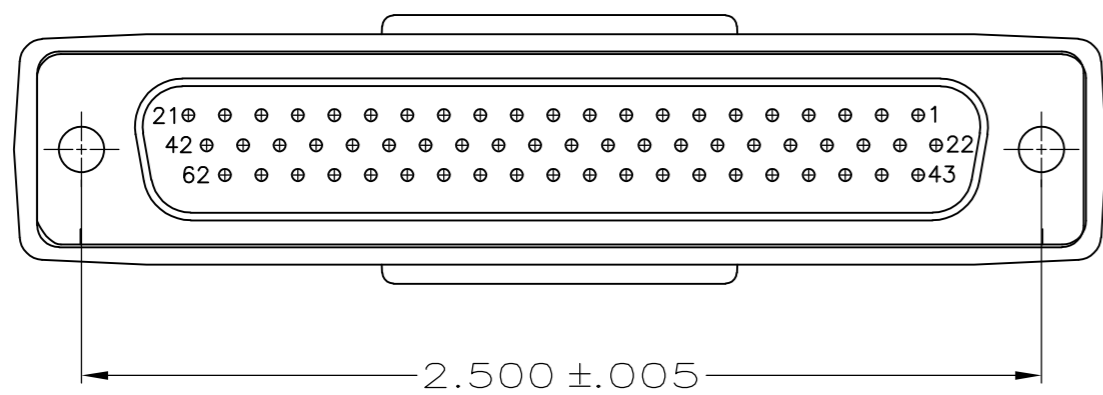
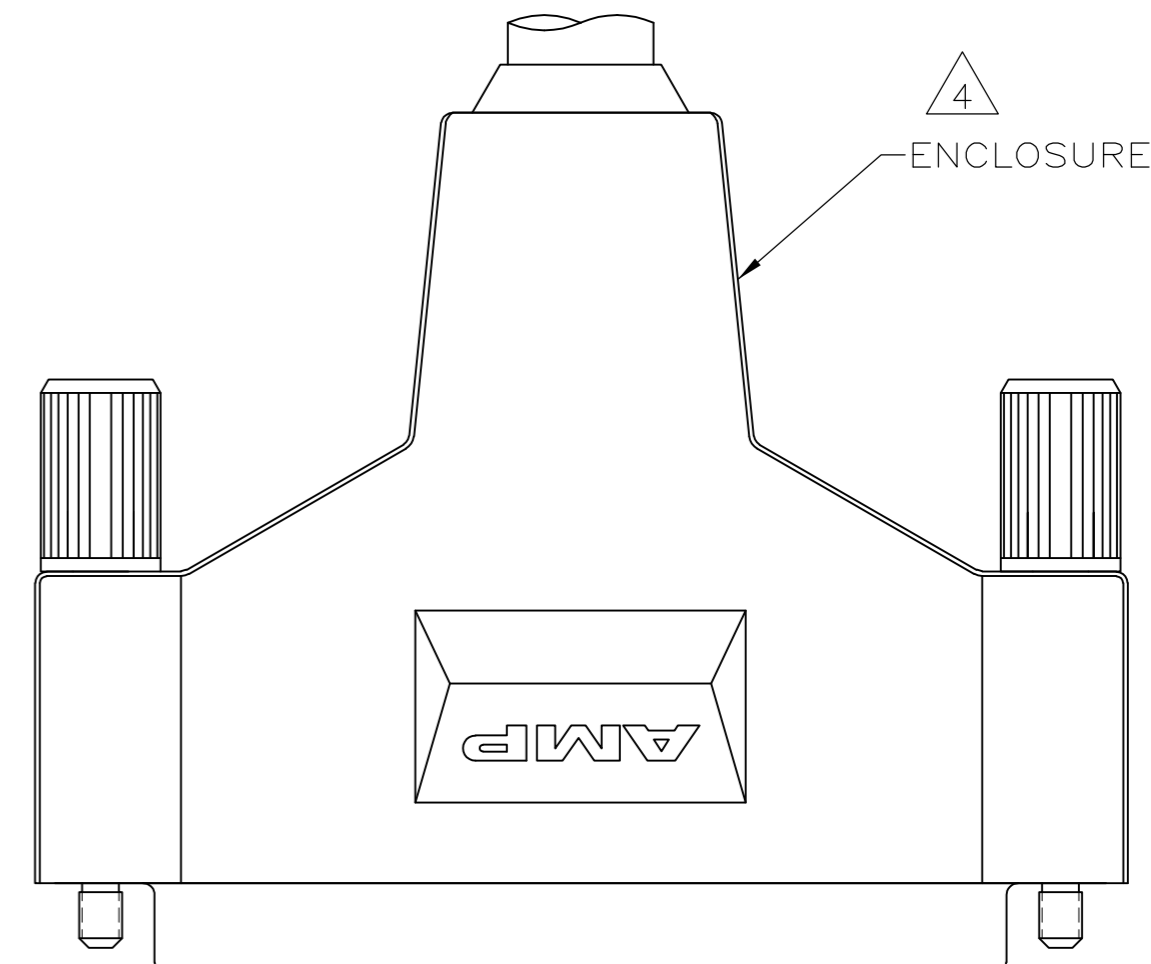
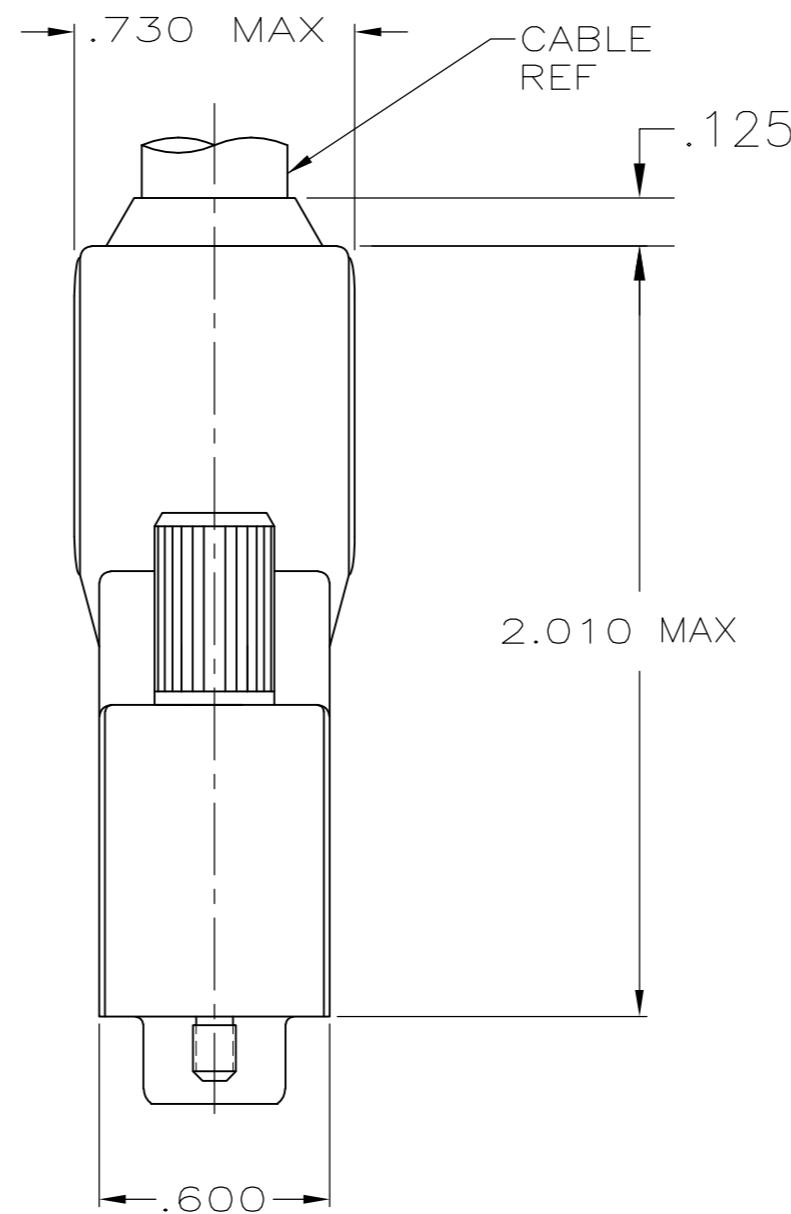
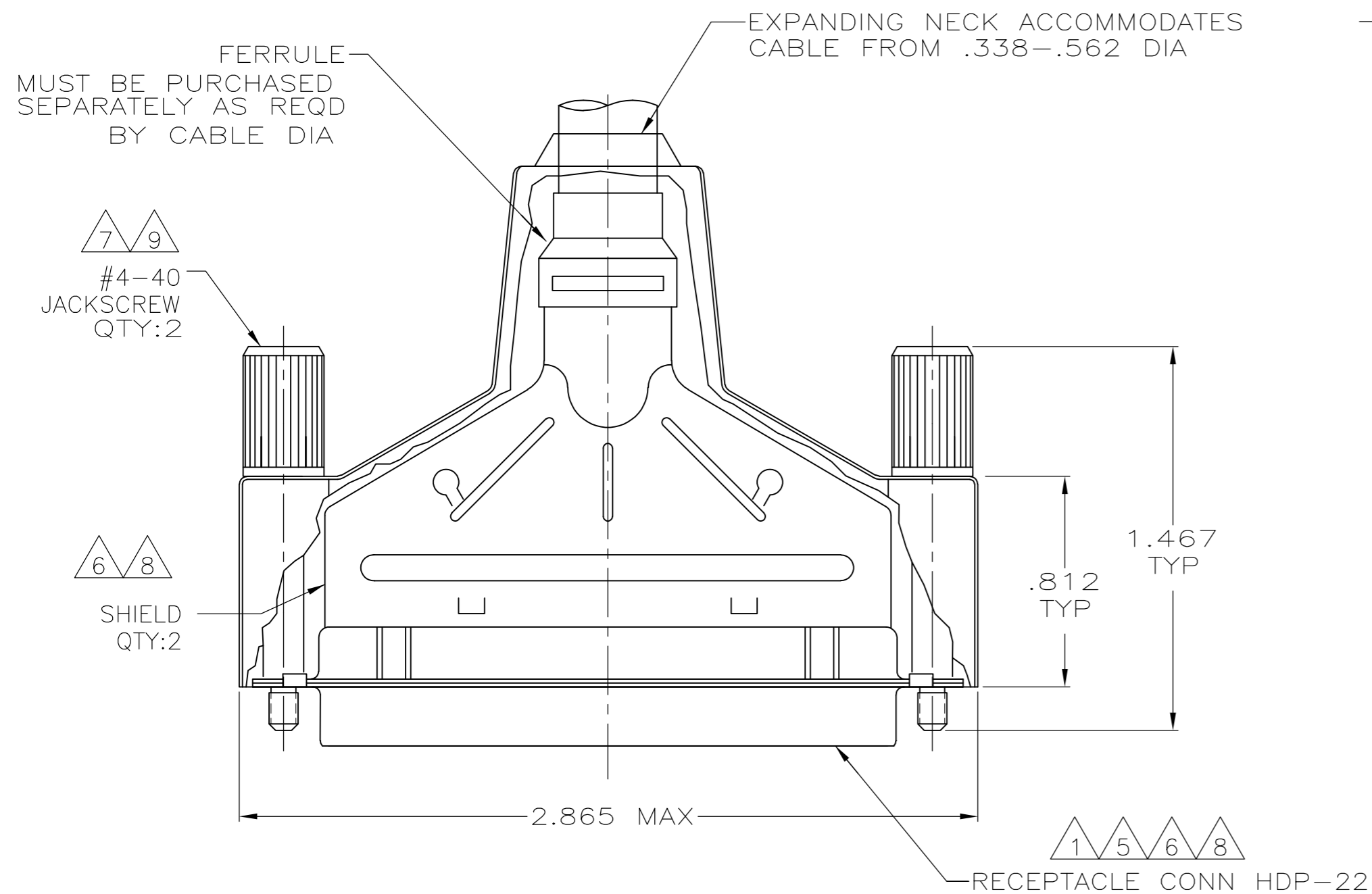


THIS DRAWING IS UNPUBLISHED. RELEASED FOR PUBLICATION  
 © COPYRIGHT - By - ALL RIGHTS RESERVED.

LOC	DIST	REVISIONS					
GP	00	P	LTR	DESCRIPTION	DATE	DWN	APVD
		C		REVISED PER ECO-13-017159	20DEC2013	KH	SB

- 1 RECEPTACLE ACCEPTS SIZE 22 DF SOCKET CONTACTS. CONTACTS MUST BE PURCHASED SEPARATELY.
- 2 ALL PARTS SHIPPED UNASSEMBLED.
- 3 COMPONENTS INDIVIDUALLY BULK PACKAGED.
- 4 ELASTOMER, STYRENE POLYOLEFIN OR PVC, COLOR BLACK.
- 5 FLAME RETARDANT GLASS FILLED, 94V-0 RATED, COLOR BLACK.

- 6 CARBON STEEL PER ASTM A109.
- 7 CARBON STEEL, C1022.
- 8 .000200 MIN TIN PLATE OVER .000100 MIN COPPER UNDERPLATE.
- 9 ZINC NICKEL, TRIVALENT BLACK.



3	W/ LOGOS	5748642-1
PACKAGING	REMARKS	PART NUMBER

THIS DRAWING IS A CONTROLLED DOCUMENT.		DWN 12-21-04 L. VARELA - DOCK5	<b>TE</b> TE Connectivity	
DIMENSIONS: INCHES		CHK 12-21-04 J. GERACE		
TOLERANCES UNLESS OTHERWISE SPECIFIED:		APVD 12-21-04 M. WALMSLEY	NAME	
0 PLC ± -		PRODUCT SPEC	6	
1 PLC ± -		108-40005 & 108-40030	SIZE 4, 62 POSITION, AMPLIMITE, HDP-22	
2 PLC ± -		APPLICATION SPEC	SIZE	CAGE CODE
3 PLC ± .020		114-40030	A2	00779
4 PLC ± -		WEIGHT -	DRAWING NO C=5748642	
ANGLES ± -		RESTRICTED TO		
FINISH		CUSTOMER DRAWING		
4 5 6 7		SCALE 2:1		SHEET 1 of 1
8 9		REV C		