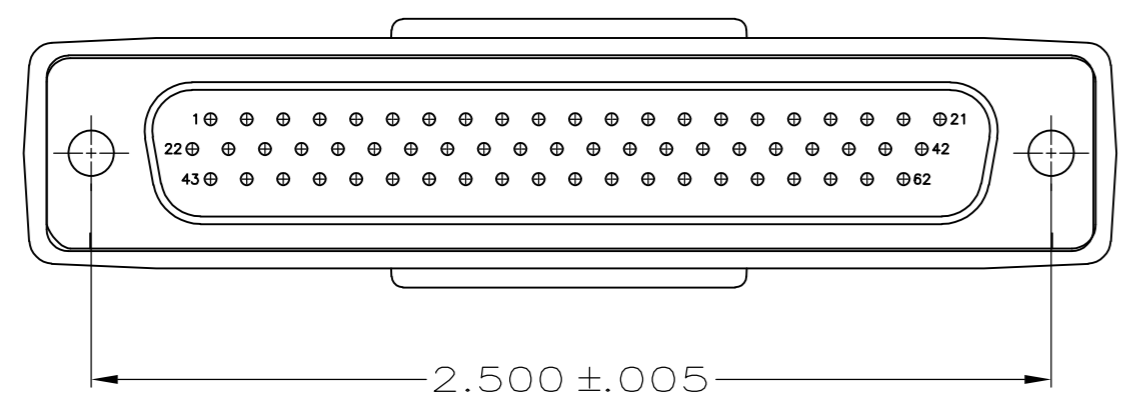
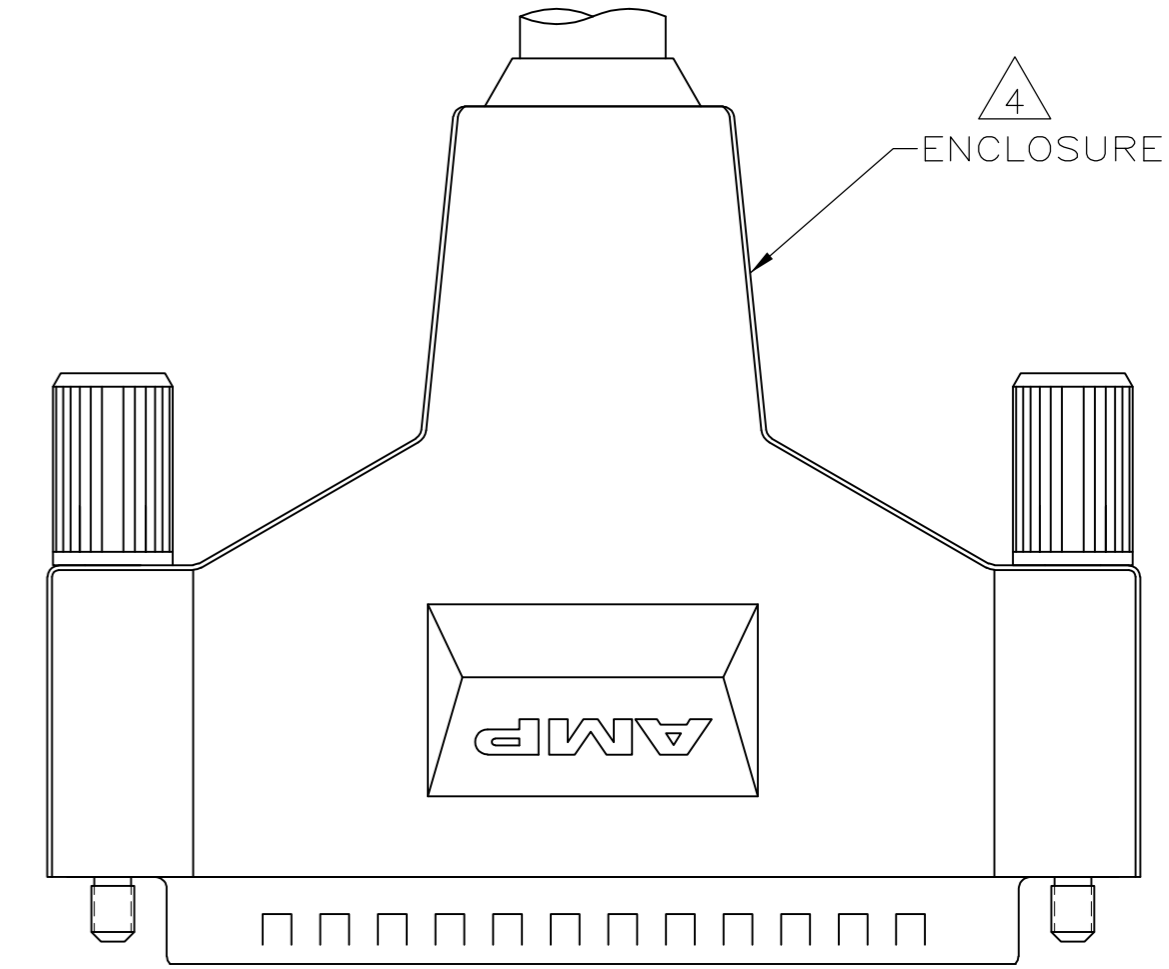
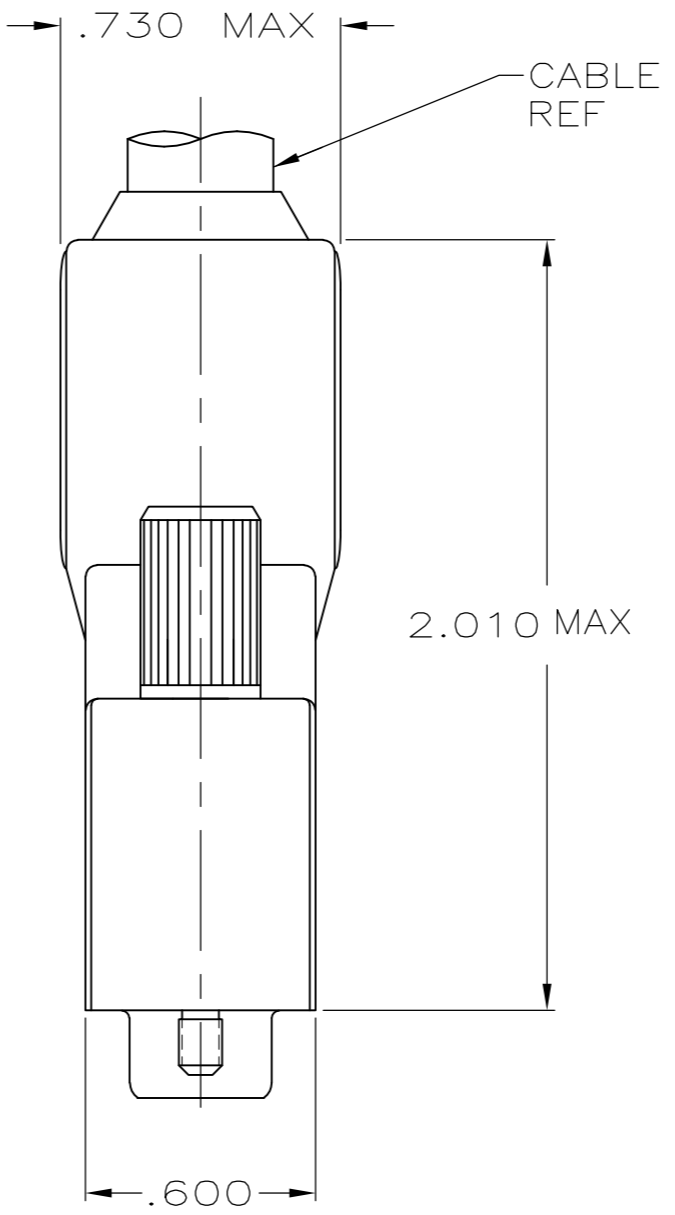
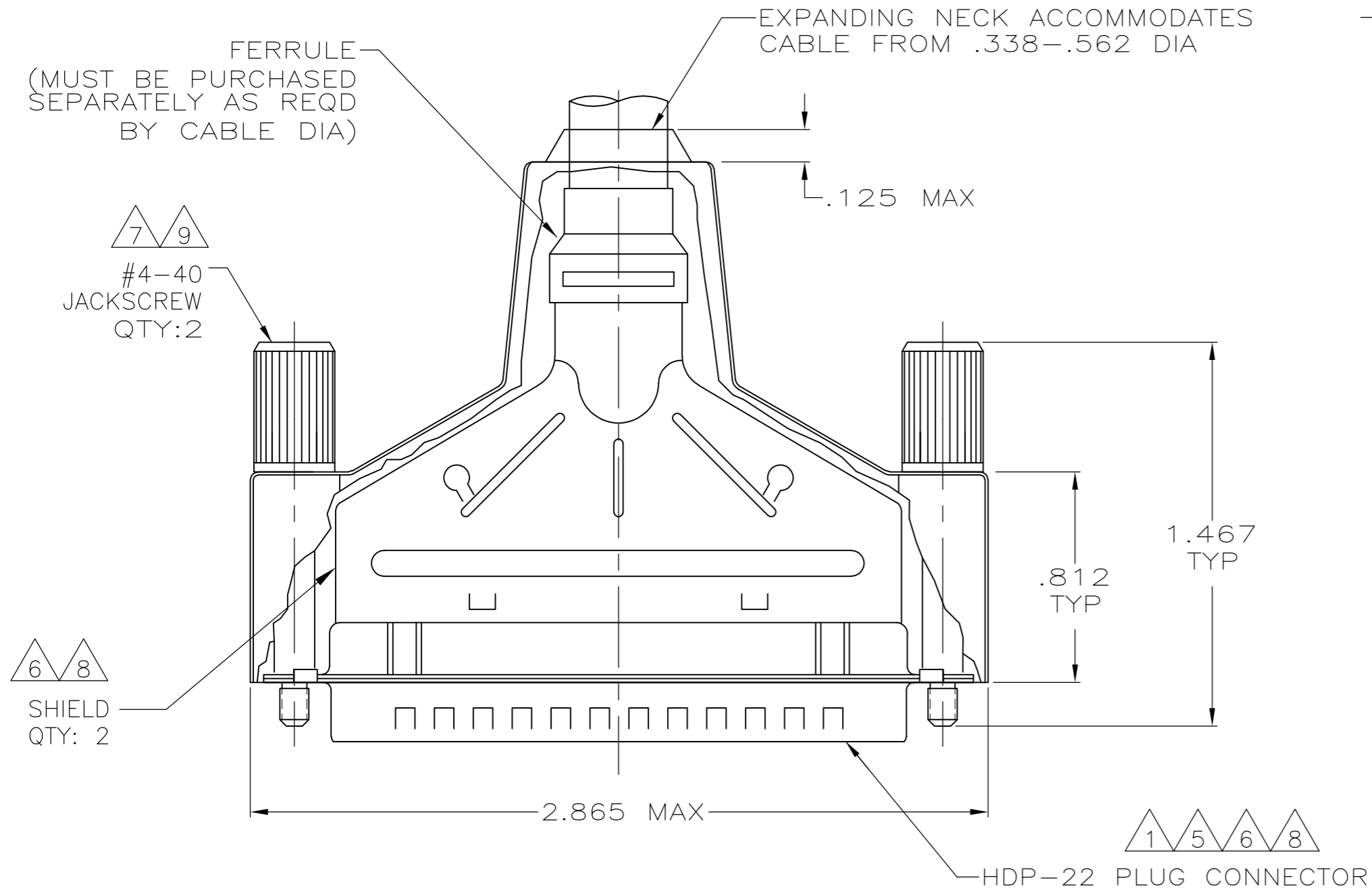


THIS DRAWING IS UNPUBLISHED. RELEASED FOR PUBLICATION
 © COPYRIGHT - By - ALL RIGHTS RESERVED.

LOC		DIST		REVISIONS			
P	LTR	DESCRIPTION		DATE	DWN	APVD	
GP	00	E		REVISED PER ECO-13-017159	20DEC2013	KH	SB



- 1 PLUG ACCEPTS SIZE 22 DF PIN CONTACTS PURCHASED SEPARATELY.
- 2 ALL PARTS SHIPPED UNASSEMBLED.
- 3 COMPONENTS INDIVIDUALLY BULK PACKAGED.
- 4 ELASTOMER, STYRENE POLYOLEFIN, OR PVC, BLACK.
- 5 FLAME RETARDANT, 94V-0 RATED, GLASS FILLED, NYLON, BLACK.
- 6 CARBON STEEL PER ASTM A109.
- 7 CARBON STEEL, C1022.
- 8 .000200 MIN TIN PLATE OVER .000100 MIN COPPER UNDERPLATE.
- 9 ZINC NICKEL, TRIVALENT BLACK.

3	W/ LOGOS	5748476-1
PACKAGING	REMARKS	PART NUMBER

THIS DRAWING IS A CONTROLLED DOCUMENT.		DWN 12-21-04 L. VARELA - DOCK5		
DIMENSIONS: INCHES		CHK 12-21-04 J. GERACE		
TOLERANCES UNLESS OTHERWISE SPECIFIED:		APVD 12-21-04 M. WALMSLEY	NAME	
0 PLC ± -		PRODUCT SPEC	SHIELDING ENCLOSURE KIT, PLUG, SIZE 4, 62 POSITION, AMPLIMITE, HDP-22	
1 PLC ± -		APPLICATION SPEC	-	
2 PLC ± -		114-40030	SIZE	CAGE CODE
3 PLC ± .020		WEIGHT	A2	00779
4 PLC ± -		RESTRICTED CUSTOMER	DRAWING NO	5748476
ANGLES ± -		SCALE	2:1	SHEET
FINISH		RESTRICTED TO	1 of 1	REV
MATERIAL				E