



Part Number
Key Word



Site Search

TOP

NEWS RELEASE

CONNECTOR SEARCH

CATALOG


SAMPLE

STOCK CHECK

[TOP](#) > [FI-RE51S-HF](#)

Product List

| | |
|-------------------------------------|--------------------|
| Product Name | FI-RE51S-HF |
| Series Name | FI-R Series |
| Contact spacing (mm) | 0.5 |
| Number of Contacts | 51 |
| Connector type | Receptacle |
| PCB mounting method | Soldering |
| SMT flag | TRUE |
| Wire termination method | - |
| Applicable wire | - |
| Applicable wire insulation diameter | - |
| Remarks on applicable wire | - |
| Material of contact | Copper alloy |

| | |
|---|--|
| Finish of contact in connecting area | Gold over Nickel |
| Finish of contact in terminal area | |
| Finish of contact in PCB mounting area | Tin over Nickel |
| Shell Material / Finish | Stainless steel / Tin |
| PCB side connector styles | Right angle |
| PCB mounted height (mm) | 3.75 |
| Operating temperature range | -40 to +80 |
| Current rating (Amps) | 0.8 |
| Withstanding voltage (VACr.m.s. (1 minute)) | 500 |
| Insulation resistance (megohms min.) | 100 |
| Contact resistance (milliohms max.) | 40 |
| Applicable contacts | |
| Use with accessories | |
| Applicable product part numbers | |
| Remarks | |
| Related Documents |  138Kbytes |
| Pair | |

Notice:

- The values specified in this web site are only for reference. The products and their specifications are subject to change without notice. Contact our sales staff for further information before considering or ordering any of our products.
For purchase, a product specification must be agreed upon.

2. Users are requested to provide protection circuits and redundancy circuits to ensure safety of the equipment, and sufficiently review the suitability of JAE's products to the equipment.
3. The products presented in this web site are designed for the uses recommended below. We strongly suggest you contact our sales staff when considering use of any of the products in any other way than the recommended applications or for a specific use that requires an extremely high reliability.

(1) Applications that require consultation:

- (i) Please contact us if you are considering use involving a quality assurance program that you specify or that is peculiar to the industry, such as:
Automotive electrical components, train control, telecommunications devices (mainline), traffic light control, electric power, combustion control, fire prevention or security systems, disaster evention equipment, etc.
- (ii) We may separately give you our support with a quality assurance program that
you specify, when you think of a use such as :

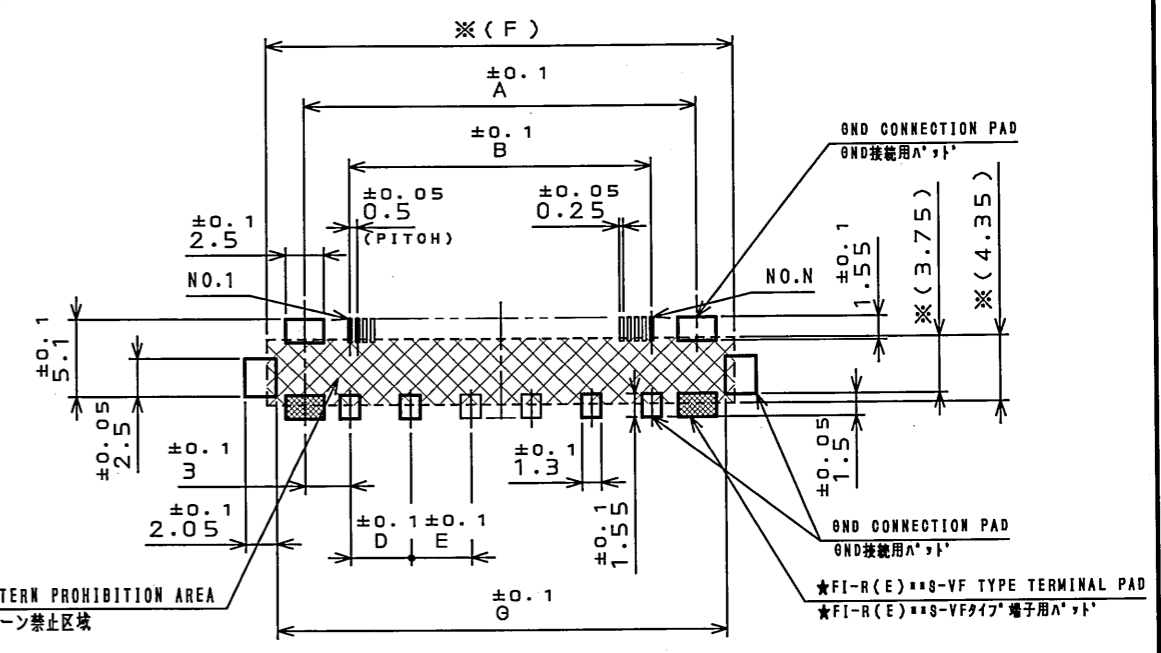
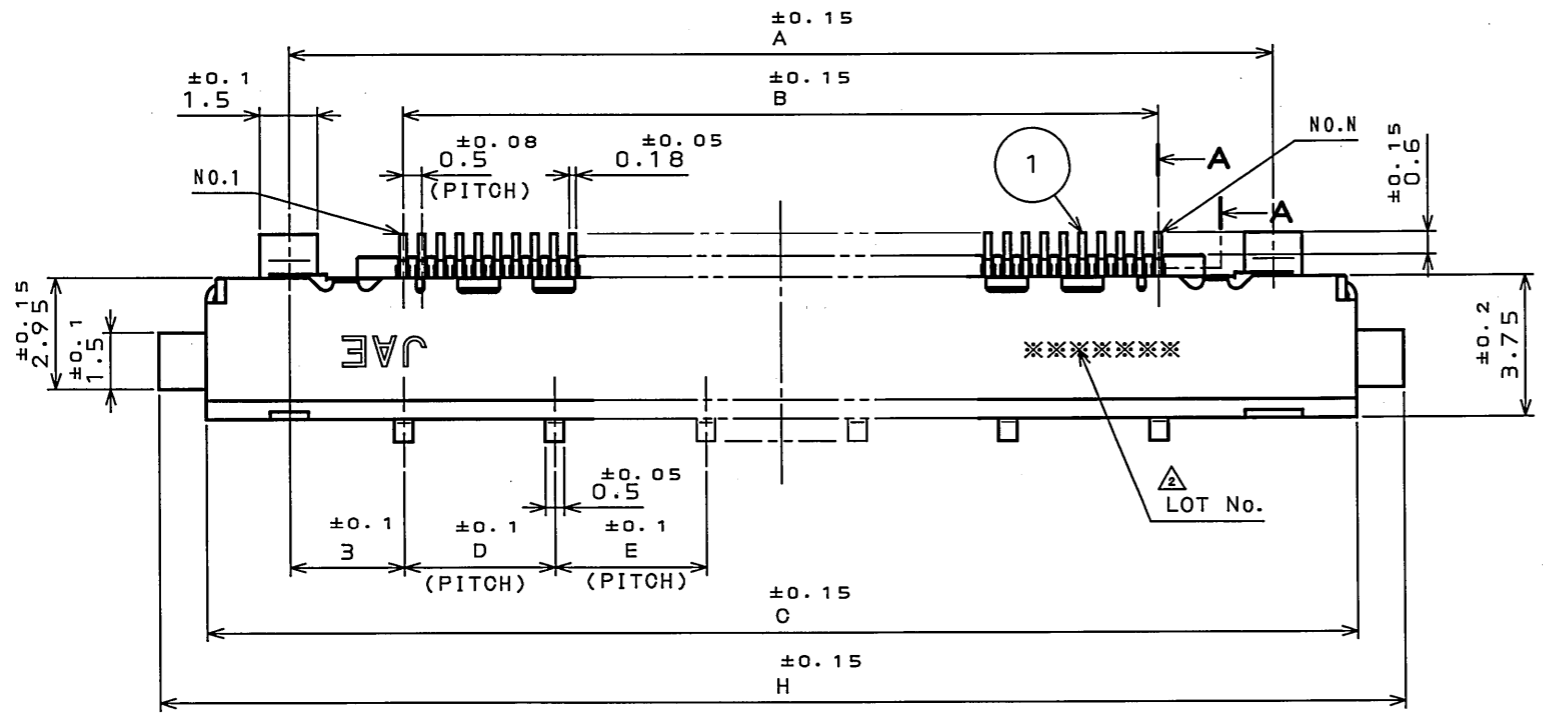
Aviation or space equipment, submarine repeaters, nuclear power control systems, medical equipment for life support, etc.

(2) Recommended applications include:

Computers, office appliances, telecommunications devices (terminals, mobile units), measuring equipment, audiovisual equipment, home electric appliances, factory automation equipment, etc

SJ102934
(図面番号)(DRAWING NO.)

| 版数 REV. | 年月日 DATE | DCN NO. | 変更内容 DESCRIPTION | 製図 DR. | 担当 CHK. | 査閲 APPD. | 承認 APPD. |
|------------|-------------|---------|---------------------------------|-----------|-------------|-------------|-------------|
| 2 | 4.Sep.2006 | 060981 | ADDED LOT No. etc ロットNo.追加、他 | | K.HISAMATSU | M.Suzuki | K.Hisatomi |



△ SECT. A-A
(SCALE 10:1)

APPLICABLE P.C.B. DIMENSION (REF.)
適合基板寸法 (参考)

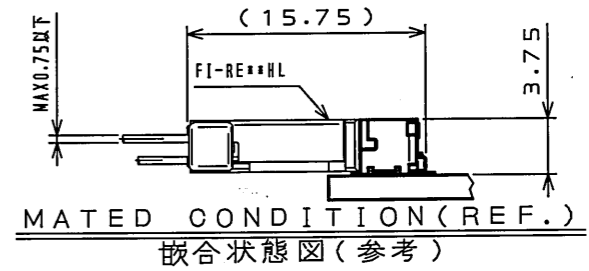
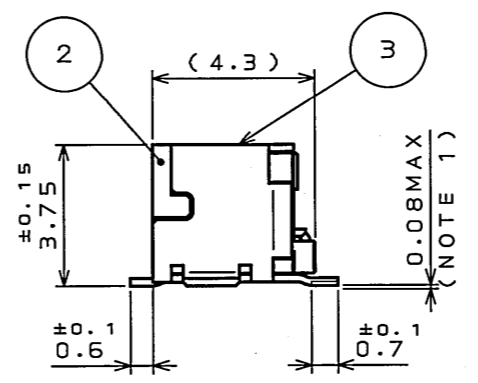
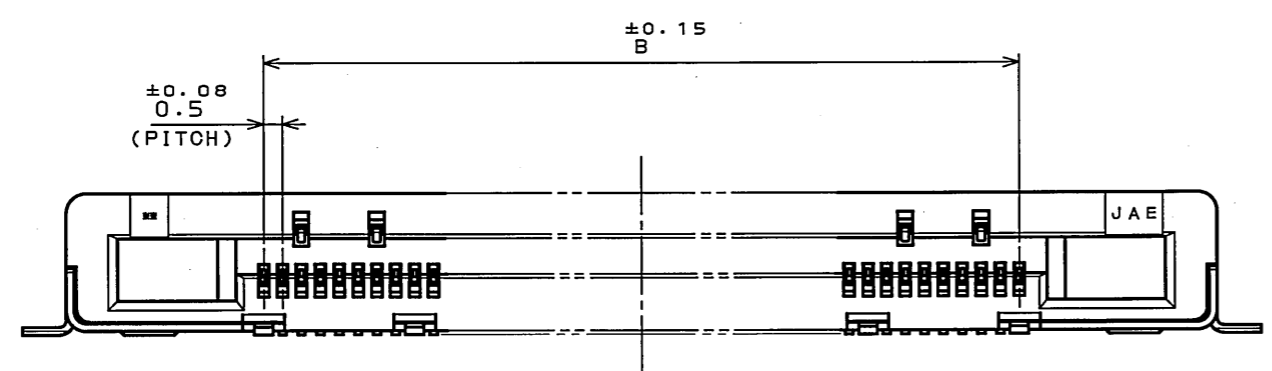


TABLE 1
表1

| CONTACT AREA 接触部 | SOLDERING AREA 端子部 |
|---------------------------|--------------------------|
| GOLD OVER NICKEL Ni上Au | TIN OVER NICKEL Ni上Sn |

TABLE 2
表2

| NO.OF CONTACTS (N) | A | B | C | D | E | F | G | H |
|--------------------|----|----|-------|---|---|-------|-------|-------|
| 21 | 16 | 10 | 20.35 | 3 | — | 20.95 | 19.75 | 22.85 |
| 31 | 21 | 15 | 25.35 | 4 | — | 25.95 | 24.75 | 27.85 |
| 41 | 26 | 20 | 30.35 | 4 | 4 | 30.95 | 29.75 | 32.85 |
| 51 | 31 | 25 | 35.35 | 5 | 5 | 35.95 | 34.75 | 37.85 |

NOTE1. COPLANARITY BETWEEN TERMINAL AND HOLD DOWN OF SHELL SHOULD BE 0.08mm MAX.
 △ 2. PRODUCTION LOT NUMBER AS INDICATED.
 注1. 端子及び、シェルホルドダウンの相互のバラツキは0.08以内とする。
 △ 2. 図示の位置にロット番号を表示する。

| 符号 NO. | 名称 DESCRIPTION | 個数 QTY. | 材料 MATERIAL | 仕上 FINISH | 備考 REMARKS |
|------------------------|----------------------|------------------------------------|-------------------------------------|---|-----------------------|
| 3 | SHELL シェル | 1 | STAINLESS STEEL ステンレス | TIN PLATING Snメッキ | |
| 2 | INSULATOR インシュレータ | 1 | HEAT RESISTING PLASTIC 耐熱性プラスチック | | UL94 V-0 |
| 1 | CONTACT コンタクト | TABLE 2 | COPPER ALLOY 銅合金 | TABLE 1 | |
| 仕様書 (SPECIFICATION) | | 第1版 (ORIGINAL DATE) 15.Mar.2005 | | 尺度 (SCALE) 5:1 | シリーズ (SERIES) FI-R |
| 公差 (GENERAL TOLERANCE) | | 製図 DR. | | 名称 (TITLE) JAPAN AVIATION ELECTRONICS INDUSTRY, LTD. | |
| 寸法 (DIMENSION) | | 担当 CHK. K.HISAMATSU | | FI-R**S-HF (SHIELD TYPE) | |
| 角度 (ANGLES) | | 査閲 APPD. M.SUZUKI | | 図面番号 (DRAWING NO.) SJ102934 | |
| . ±0.8 | | 承認 APPD. K.HISATOMI | | 版数 (REV.) 2 | |
| .X ±0.4 | | | | | |
| .XX ±0.1 | | | | | |
| .XXX ± | | | | | |

DOF-0-212E(03.08)

