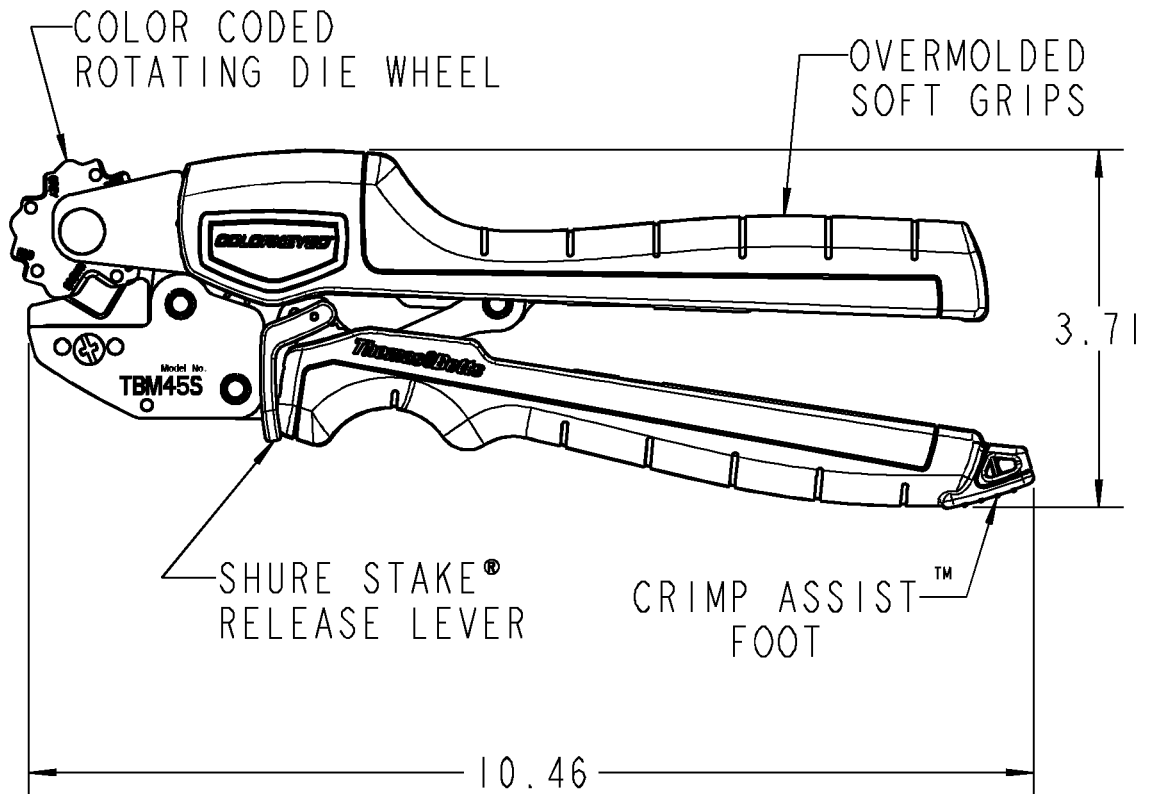


FOR INSTALLING COLOR-KEYED® COPPER
AND ALUMINUM LUGS, SPLICES, C-TAPS,
AND PIGTAILS, 8-2 AWG Cu, 10-6 AWG Al



CAUTION: HANDLES NON-INSULATING,
DO NOT CRIMP ENERGIZED WIRES

GENERAL NOTES

1. ALL DIMENSIONS ARE FOR REFERENCE ONLY.
2. DIMENSIONS IN BRACKETS [] ARE IN METRIC UNITS.

REVISIONS

** SEE ERN (****)
FOR APPROVAL SIGNATURES
& RELEASE DATE.
PROJECT NO: ****

COLORKEYED®

Thomas & Betts
www.tnb.com

DESCRIPTION: **TBM455 COMFORT CRIMP COMPRESSION
TOOL WITH SHURE STAKE MECHANISM**

ORIGINAL PROJECT NO / (ERN NO)

SHEET NO:

REV. NO:

DRAWING NO:

TD55632 / [2010868]

1 OF 1

-

WSD-000506