

NOTES:

1. INITIAL TOOL SETTING REQUIRMENTS:

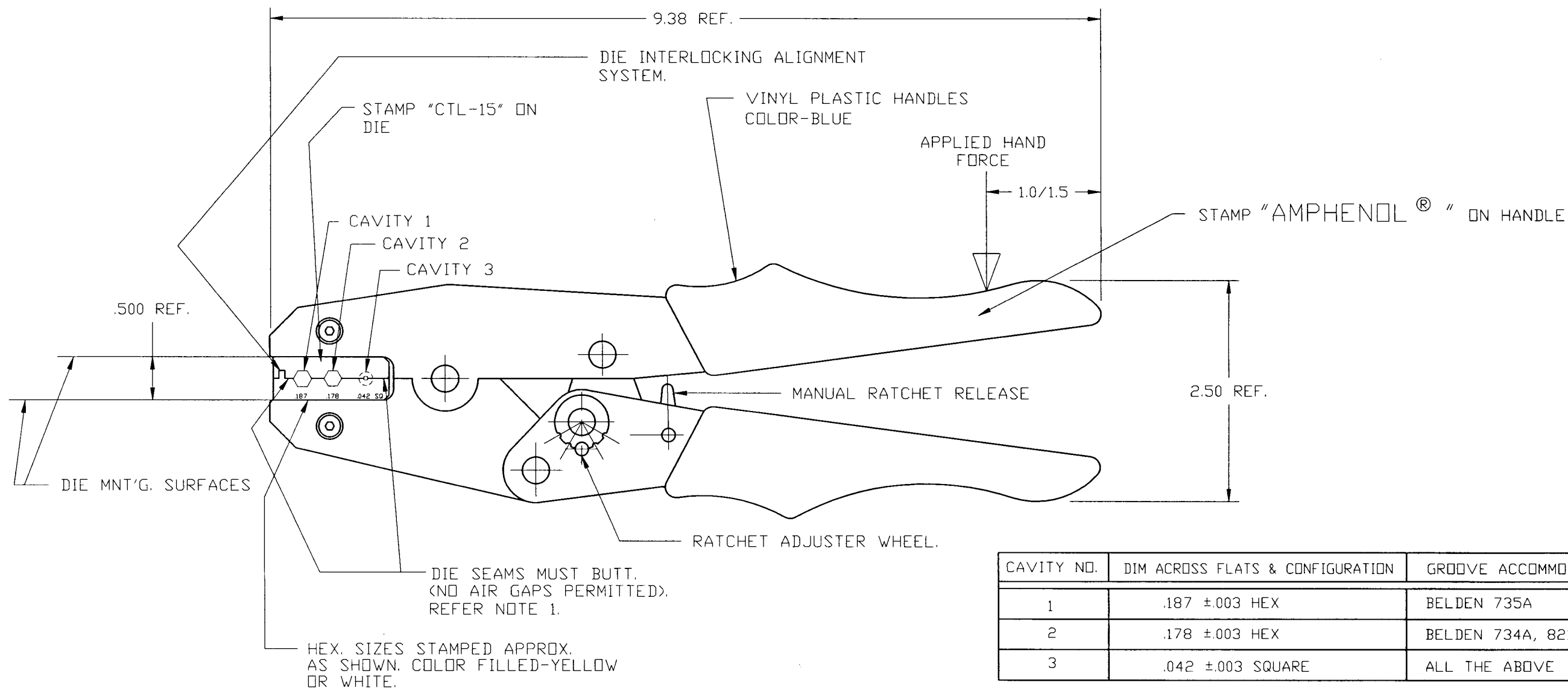
WITH DIES FIRMLY AFFIXED IN TOOL ON THE DIE MNT'G. SURFACES, CLOSE THE TOOL FULLY (UNTIL THE RATCHET RELEASES) WITH 25-35 LBS. HAND FORCE. THE DIES MUST BE 'BUTTED' (TOUCHING BOTH FRONT & REAR SURFACES). THE RATCHET ADJUSTER WHEEL SHOULD BE POSITIONED IN THE CENTER INDENT (± ONE INDENT POSITION).

- 2. NOTE: TOOL CONTAINER BOX (SUPPLIED BY VENDOR) MUST HAVE LABEL, DWG. PART NO. 999-622, AFFIXED. LABEL PROVIDED BY VENDOR.
- 3. DO NOT SCALE THIS DRAWING.
- 4. REMOVE ALL BURRS, BREAK SHARP EDGES AND CORNERS .005 MAXIMUM, UNLESS OTHERWISE SPECIFIED.
- 5. UNLESS OTHERWISE SPECIFIED, ALL DIMENSIONS ARE AFTER PLATING.

CTL-15

REVISIONS

DRAWING NO.	REV	DESCRIPTION	DATE	ECD	APPR
THIRD ANGLE PROJ.	A	RELEASE TO MFG.	8/25/00	43452	CPM/



CAVITY NO.	DIM ACROSS FLATS & CONFIGURATION	GROOVE ACCOMMODATIONS
1	.187 ±.003 HEX	BELDEN 735A
2	.178 ±.003 HEX	BELDEN 734A, 8218
3	.042 ±.003 SQUARE	ALL THE ABOVE

UNLESS OTHERWISE SPECIFIED, DIMENSIONS ARE IN INCHES AND TOLERANCES ARE:
 2 PLACE DECIMAL ±.015 (0,381 mm)
 3 PLACE DECIMAL ±.005 (0,127 mm)
 ANGLES ± 1°

NOTICE - These drawings, specifications, or other data (1) are, and remain the property of Amphenol Corp. (2) must be returned upon request; and (3) are confidential and not to be disclosed to any person other than those to whom they are given by Amphenol Corp. The furnishing of these drawings, specifications, or other data by Amphenol Corp., or to any other person to anyone for any purpose is not to be regarded by implication or otherwise in any manner licensing, granting rights or permitting such holder or any other person to manufacture, use or sell any product, process or design, patented or otherwise, that may in any way be related to or disclosed by said drawings, specifications, or other data.

MATERIAL AS PURCHASED

REFERENCE

DRAWN C. McGRATH DATE 7/19/00

ENGINEER T. AUBIN DATE 7/19/00

APPROVED DATE

CAD FILE F:\DEPT611\TOOLS\CTL-15

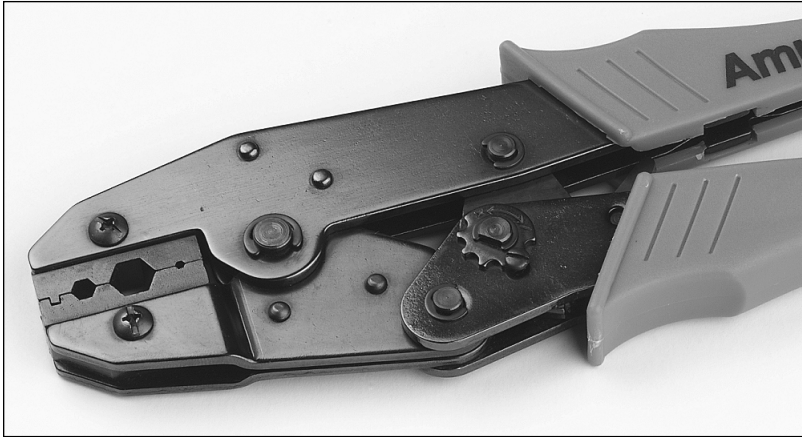
TITLE QUICK CRIMP TOOL FOR 75 OHMS CRIMP PLUGS

Amphenol
 Amphenol Corporation
 RF/Microwave Operations
 Danbury, Conn. U.S.A. 06810

SCALE: .75:1 SHEET 1 OF 1

CODE ID 74868 DWG SIZE B DRAWING NO. CTL-15 ISSUE A

CTL Crimp Tool



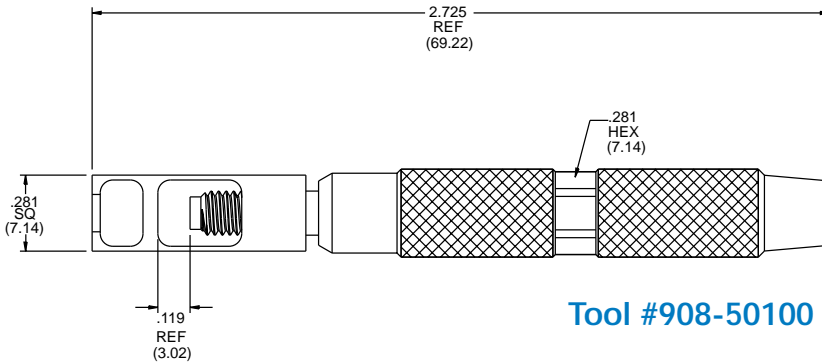
Amphenol CTL Series crimp tools are sold complete as a tool handle with the die set included. Purchase of some or all of the seven tools shown below will allow the user to terminate most popular RG coaxial cables.

To order the crimp tool required for a specific application, please refer to the Connector Assembly Instruction for the Amphenol part number. The recommended tool number is listed under the column labeled "CTL Series Tool Number".

CTL Crimp Tool order information

Crimp Tool Part Number	Cable RG-/U	Connector Series by Cavity Used	Hex Sizes Across Flats, In. (mm)		
			Cavity 1	Cavity 2	Cavity 3
CTL-13	RG-174, 178, 188, 196, 316, RD-316	MicroMate, SMB, SMA	.105 (2.67)	.128 (3.25)	.151 (3.84)
PCTL-1300 Die set only for Bench Crimper					

CAP Installation and Connector Removal Tool



Universal tool for MicroMate (MMCX) right angle connectors for protective cap mounting and decoupling of connectors.

Tool #908-50100

Tool Data

CTL Series Tool No.	Hex Sizes	Cable RG-/U	Connectors	Notes
CTL-14	 .255 (6.5) .319 (8.2) .324 (8.3) .042 (1.1)	Belden 8281, 1694A AT&T 734A		for 3-Piece BNC Crimp Connectors
CTL-15	 .178 (4.6) .187 (4.8) .042 (1.1)	AT&T 735A AT&T 734A Belden 8218		for 3-Piece BNC Crimp Connectors

▲ distributor stocked