

MEMO

For more details, visit our website at <http://www.patlite.com>

Optional Parts

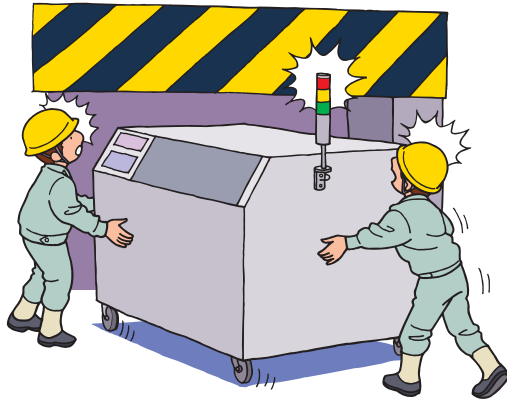


Optional Parts

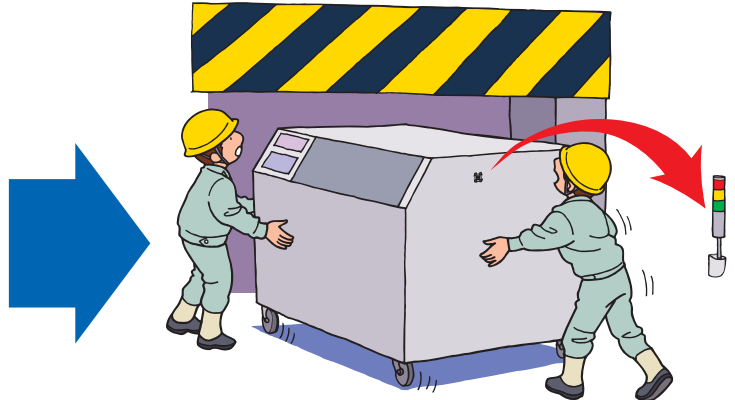
Wall Mount Bracket

- **Avoid Potential Trouble when moving machinery!**
- **Easily removable connection! (Wiring unplugs along with it!)**
- **Easy to disconnect when needing repair!**

BEFORE...



AFTER...



Easy steps to installing the bracket



Drill the holes on the machine to attach the mounting connector and bracket.



Fix the mounting parts onto the machine with the proper hardware.



Join the connectors together.



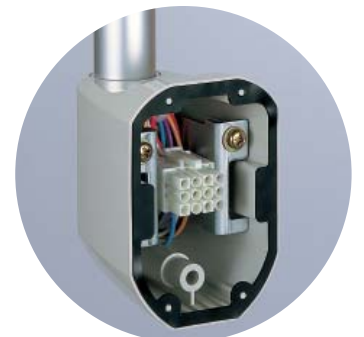
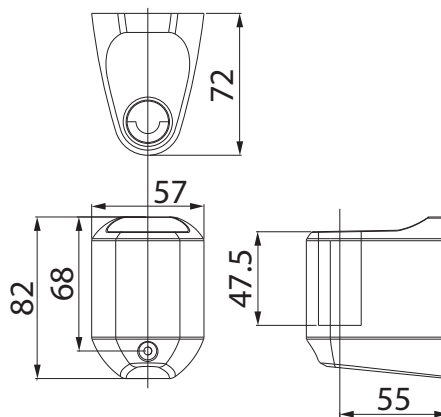
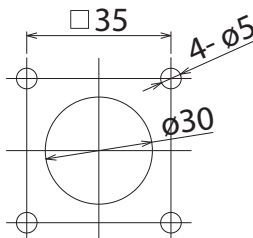
Hook the mounting bracket onto the metal tabs and attach it with the screws.

SZ-020 (For $\phi 21.7\text{mm}$ Pole)

SZ-021 (For $\phi 17.3\text{mm}$ Pole)



Mounting Dimensions



Wire connector SZ-020-001 (Sold Separately)

MP-B

Signal Tower Option



Ø30

85 db at 1m

Electronic Sound 1

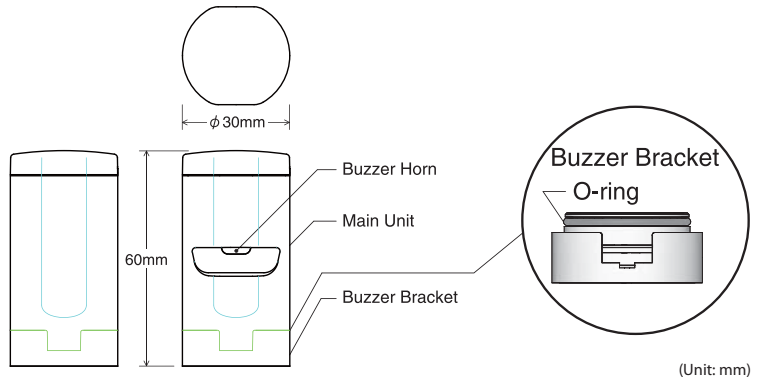


FEATURES

- Double-insulation for enhanced durability and safety
- Direct mount installation with just a single screw
- Main body made of heat resistant ABS resin for superior impact resistance
- Compatible with the MP and MPS Signal Tower
(The Red module is required when using the optional MP-B)

Part Names and Dimensions

- Operates in conjunction with the Red LED module (Alarm activation with other colors must be special ordered).



Specifications

Model	Rated Voltage	Sound Level	Power Consumption
Ⓞ MP-B	AC/DC 24V	80dB (at 1m)	0.7W

Ⓞ Requires Red LED Module

DEB

LED Lamp

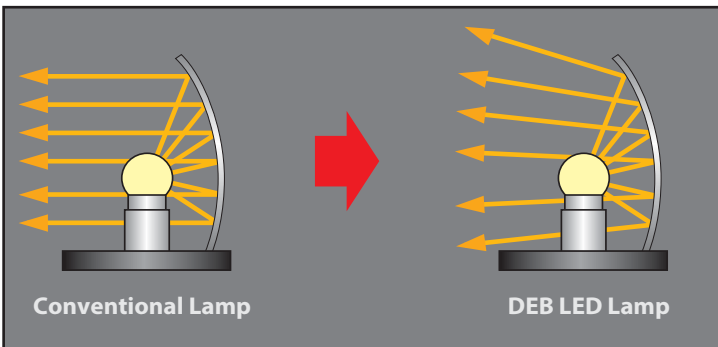


FEATURES

- LED Color emits a Warm White color
- Suitable lighting for Patlite Compatible Rotating Lamp Series.
- Replacable with AC Lamp Bulbs for Patlite Products.

COMPATIBLE MODELS:

SKH-110A/120A, SKHB-100A/200A, SKH-100EA/200EA
 RH/RK(B)-100A/120AUL/200A/240AUL
 WH/WK(B)(S)-100A/200A
 KJS(B)-110/210/310/120/220/320
 KJ(B)-110/210/310/410/120/220/320/420
 KJT-110/210/310/120/220/320



Specifications

Model	Rated Voltage	Power Consumption	LED Color	Lamp Base	Mass
DEB-15SBA-CL	AC 12V	1.7W (at AC13.5V)	Warm White	BA15S	9.8g

Mounting Pole

φ50 (φ40)

SZ-60L
SZ-80L

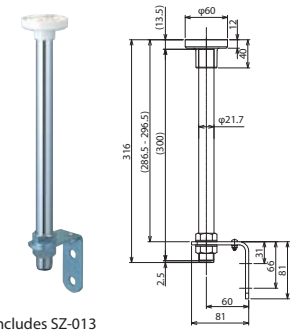
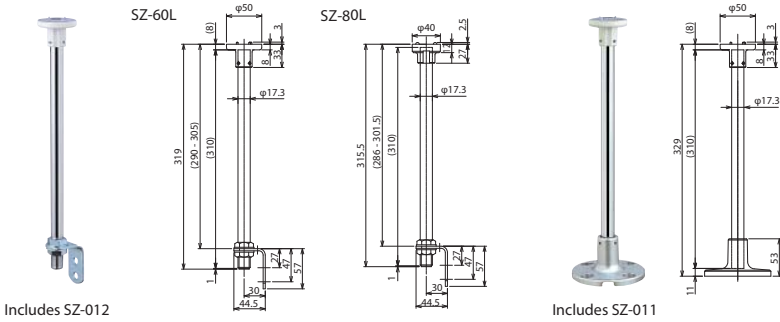


SZ-60T



φ60

SZ-70L



φ70

SZ-50L



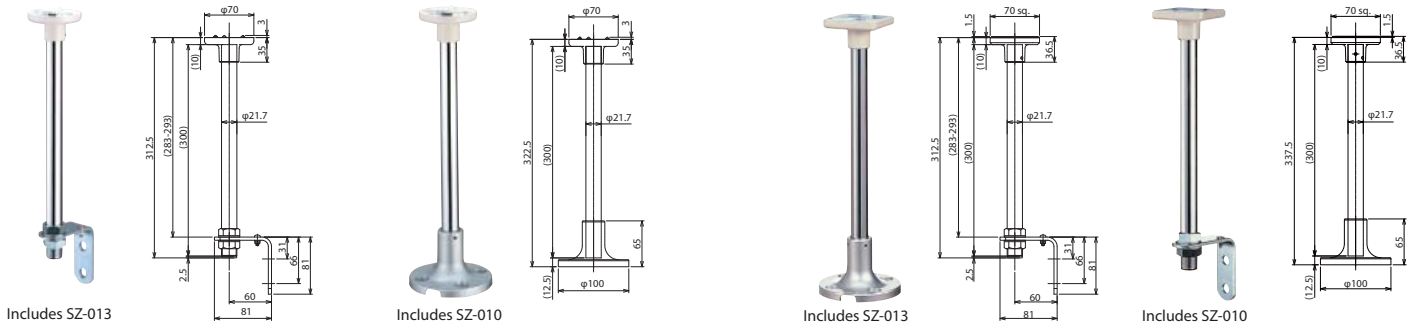
SZ-50T



SZ-40L



SZ-40T

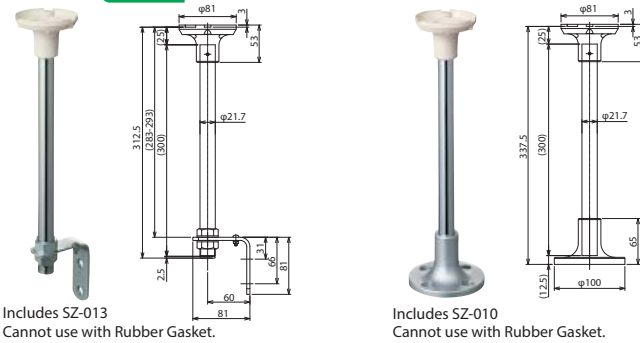


φ81

SZ-30L



SZ-30T



Model	Material					
	Upper Bracket	Pole	'L' Bracket	Cord Bushing	Mounting Bracket	Compatible Models
SZ-80L	ABS Resin	Carbon-steel Pipe	SPHC	6/6 Nylon	—	LCE-W
SZ-60L	ADC12		SPHC	6/6 Nylon	—	LE-W, LES-AW
SZ-60T	—	—	—	—	ADC12	—
SZ-70L	ABS Resin	Carbon-steel Pipe	SPHC	EPT	—	LME-W
SZ-50L	ADC12		SPHC	EPT	—	LU7, LHE-A
SZ-50T	—	—	—	—	ADC12	—
SZ-40L	ADC12	Carbon-steel Pipe	SPHC	EPT	—	KUS
SZ-40T	—		—	—	ADC12	—
SZ-30L	ABS Resin		SPHC	EPT	—	RLE, RU, RH, PS, PES-A
SZ-30T	—	—	—	—	ADC12	—

ADC12: Aluminum Alloy Die-cast SPHC: Hot Rolled Milled (Sheet) Steel
EPT: Ethylene Propylene Rubber

Mounting Bracket

SZ-010



SZ-011

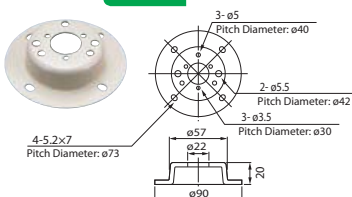


SZ-016A

SZ-70-B



SZ-014



Model	Material	Compatible Models
SZ-010	Aluminum Alloy Die-cast	RUP, LME, LMS, LHE
SZ-011		LCE, LCS, LE, LES-A
SZ-016A	Cold-rolled Milled Steel	LUS, LU7, RUP, LME, LMS, LHE
SZ-014		LE, LES-A
SZ-70-B	ABS	φ21.7mm Pole

LU7 Upper Bracket



SZ-50-U

Ivory White



SZ-50U-U

Silver

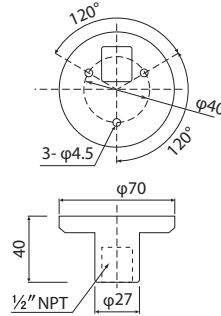
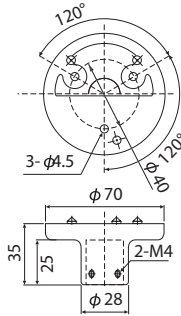


SZ-50NPT

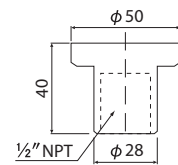
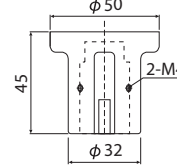
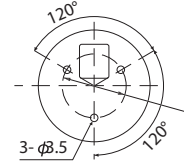
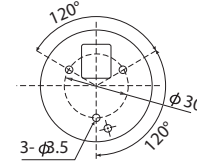


SZ-50K-U

Black

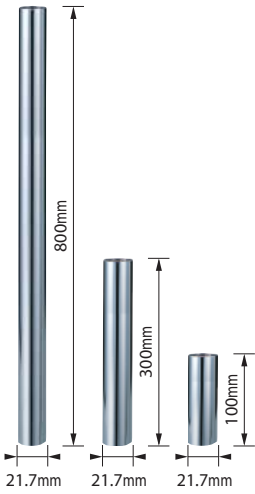


LU5 Upper Bracket



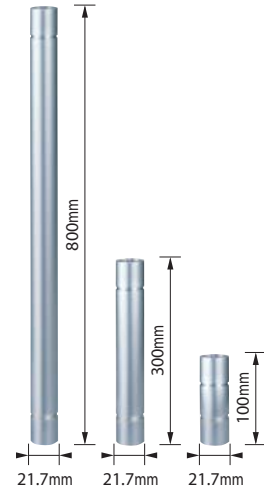
Pole

Steel Pole



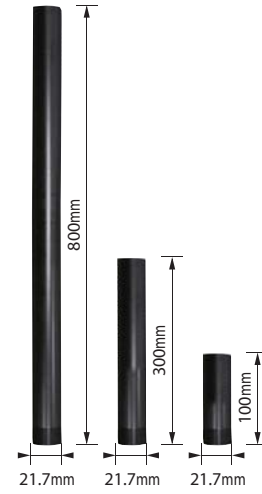
800mm	: POLE-800S21
300mm	: POLE-300S21
100mm	: POLE-100S21

Aluminum Pole



800mm	: POLE-800A21
300mm	: POLE-300A21
100mm	: POLE-100A21

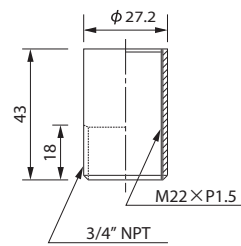
Black Aluminum Pole



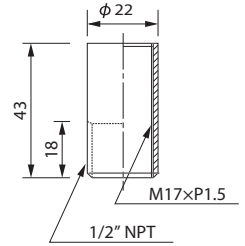
800mm	: POLE-800A21K
300mm	: POLE-300A21K
100mm	: POLE-100A21K

NPT Adaptor

SZ-904

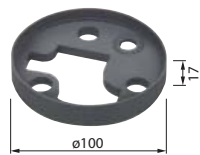


SZ-903

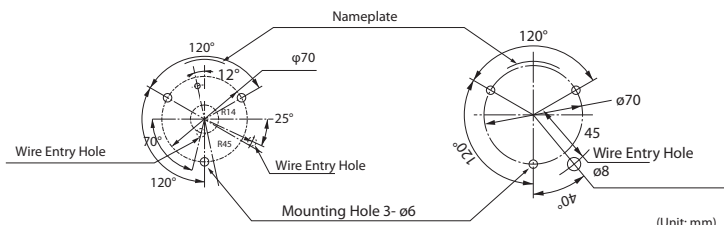


Rubber Gasket

SZ-200A



Mounting Dimensions

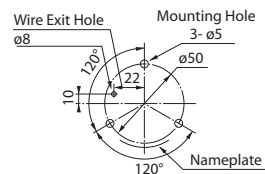


(Unit: mm)

SZ-210



Mounting Dimension



(Unit: mm)

LS7 Options

Wall Mounting Bracket SZ-110



SZ-110



SZ-110S



SZ-110D

Multi-mount Bracket SZ-130



SZ-130



SZ-130S



SZ-130D

Platform Bracket SZ-100



SZ-100

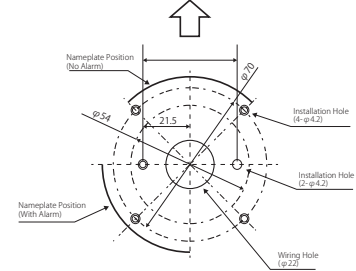


SZ-100S



SZ-100D

Front (Audible Alarm Opening)



Outer Cover for LS7*
Part No.:
B45110011-F1

Replacement Parts



O-ring for LS7
Part No.:
Z35721039-F1



Mount Cover for LS7 (Accessory)
Part No.:
B81910001-F1



M12 Connector & Cable
SZ-120-02 Cable Length 2m (XS2F-D821-DH0-R)
SZ-120-05 Cable Length 5m (XS2F-D821-GH0-R)
SZ-120-10 Cable Length 10m (XS2F-D821-JH0-R)
* Only for connecting to the LS7.

CLA Options



Option

Rear Attachment
(Magnetic Mount)
Model SZ-310ARM



Option

Side Attachment
(Screw Mount)
Model SZ-310AS



Option

Side Attachment
(CLB-24N Compatible)
Model SZ-310ASB



Option

Rear Attachment
(Stainless Steel Screw Mount)
Model SZ-310EU

CLK Options

M12 Quick Disconnect



4-wire M12 Socket Cable, 5m (No. 1536308)
4-wire M12 SUS Socket Cable, 5m (No. 1552447)

Daisy Link at a maximum of 5 Units



4-wire M12 Link Cable, 0.6m (No. 1518892)
4-wire M12 SUS Link Cable, 0.6m (No. 1552638)

One-touch Installation



CLK-001



Angle Adjustment Bracket



SZ-320KS

Surface-mounting Bracket

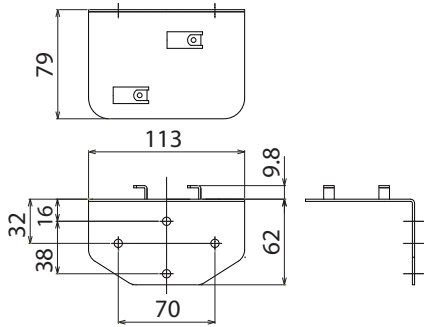


SZ-330KP

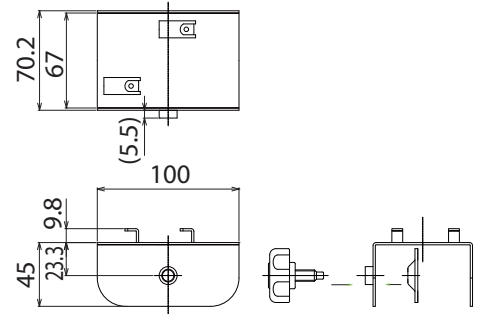
NHL Options



Wall Mount Bracket NH-WST



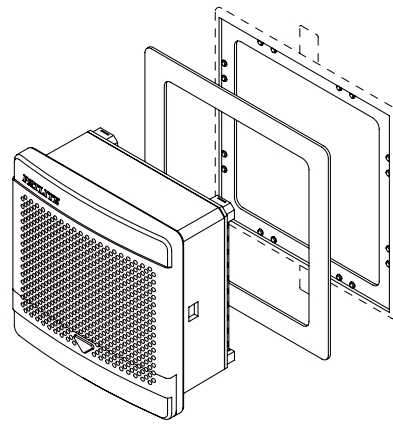
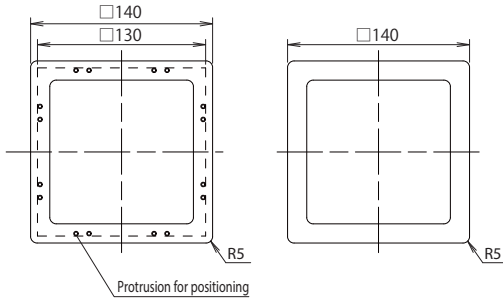
Partition Bracket NH-PST



BKV Options

BK-001 Size Adjustment Bracket

This bracket is used to install the annunciator in a place where holes have already been drilled for legacy PATLITE Products ($\phi 133\text{mm}^2$ Type)

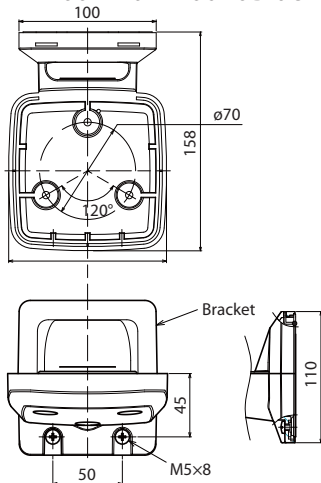


RFT/RFV Options

Wall Mount Bracket



RF-001 Wall Mount Bracket

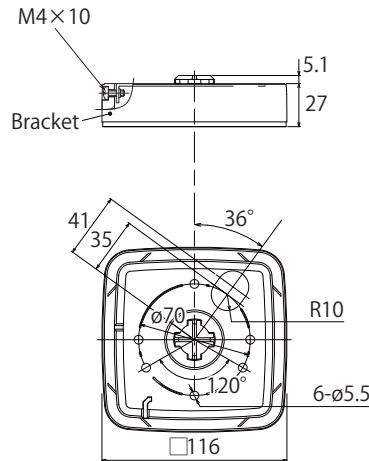


(Unit: mm)

Ceiling Mount Bracket



RF-002 Ceiling Mount Bracket



(Unit: mm)



Melody Charts

Type A		(Japan Only)	
Beep (slow intermittent)	Stutter (rapid intermittent)	Bell (clear high-pitch)	Yelp (rapid siren)
Rapid Hi-Lo	Melody Chime	Synthesized Piano	Synthesized Bell
Stutter + Bell	Synthesized Melody Chime	Chime	Call Sign
Fur Elise	Maiden's Prayer	Bach Minuet in Gmaj	Annie Laurie
London Bridge is falling down	Hol-di-ri-Dia	Mary had a little Lamb	Camptown Races
Cuckoo Song	Village Blacksmith	On the Bridge of Avignon	Daydream Believer
Amaryllis	Mozart Symphony No. 40	Quiet Lakeside	Ich bin ein Musikante
Spanish Romance	Katyusha	Grandfather's Clock	Ave Maria

Type D		(Japan Only)	
Beep (slow intermittent)	Stutter (rapid intermittent)	Bell (clear high-pitch)	Yelp (rapid siren)
Rapid Hi-Lo	Melody Chime	Synthesized Piano	Synthesized Bell
Runner	Mamotte Agetai	Chime	Call Sign
Iribiao Kikinagara	September	Doyubino Koibito	Akino Kehai
Saafu Tengoku Sukii Tengoku	Iro White-blend	Happy Birthday	Hi Ho
I've been working on the Railroad	The Bear Song	Toys Go "Cha-cha-cha"	Konnako Irukana
Schubert's Lullaby	Rudolph the red-nosed Reindeer	She Wore a Yellow Ribbon	My Darling, Clementine
Yellow Rose of Texas	Yankee Doodle	When the Saints Go Marching In	Londonderry Air

Type C		(Japan Only)	
Beep (slow intermittent)	Stutter (rapid intermittent)	Bell (clear high-pitch)	Yelp (rapid siren)
Rapid Hi-Lo	Melody Chime	Synthesized Piano	Synthesized Bell
Stutter + Bell	Synthesized Melody Chime	Chime	Call Sign
Can't take my eyes off of you	Top of the World	The Entertainer	Amazing Grace
Amairono Kamino Otome	Les Champs-Elysees	Canon	Rara Sunshine
Uchuusenkan Yamamoto	Oshiete	Makenaide	Gonna Fly Now (Theme from "Rocky")
I don't Wanna Miss a Thing	Yozorano Mukou	Aiwa Katsu	Haruyo Koi
Gattsudaze	Odorou Ponpokorin	Imasugu Kisu Mi	Truth

Type E		(Worldwide)	
Beep (slow intermittent)	Stutter + Bell	Inverted Reveille	Annie Laurie
Stutter (rapid intermittent)	Melody Chime	Galactic Motor	London Bridge is falling down
Bell (clear high-pitch)	Chime	Ringin Phone	Mary had a little Lamb
Yelp (rapid siren)	Call Sign	Two Tone	Camptown Races
Rapid Hi-Lo	Train Ride	Alarm Clock	Amaryllis
Melody Chime	Gallop Hi-Lo	Ringin Hi-Lo	Mozart Symphony No. 40
Synthesized Piano	Alien Chatter	Fur Elise	Ave Maria
Synthesized Bell	Falling Crystals	Bach Minuet in Gmaj	Grandfather's Clock




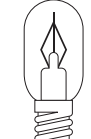
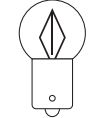
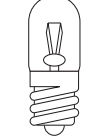

Type-F		(Japan Only)		
Beep (slow intermittent)	Spring Melody	A Maiden's Prayer	Quiet Lakeside	BANZAI SUKIDE YOKATTA
Stutter (rapid intermittent)	Game Intermission	Bach Minuet in Gmaj	The Music Man	NAMONAKI UTA
Bell (clear high-pitch)	Jalopy Horn	Annie Laurie	Spanish Romance	SOUSEINO AKUERION
Yelp (rapid siren)	ET Doorbell	London Bridge is falling down	Katyusha	MAMMO NO 5
Rapid Hi-Lo	RR-crossing	Holdiridia	Ave Maria	The Parade of the Tin Soldiers
Melody Chime	Digital Train Whistle	Mary had a little Lamb	Grandfather's Clock	Turkey in the Straw
Synthesized Piano	Train Ride	The Camptown Races	RHYTHM AND POLICE	Aka tombo
Synthesized Bell	Starting Notice Chime1	Cuckoo Song	ZANKOKUNA TENSHINO TEEZE	Funiculi, Funicula
Stutter + Bell	Starting Notice Chime2	Village Blacksmith	MAJINGAA ZETTO	Furusato
Melody Chime	Starting Notice Chime3	On the Bridge of Avignon	HATARAKU KURUMA	Beautiful Dreamer
Chime	Ending Notice Chime1	Daydream Believer	NINGENTTE IINA	JOLLY HOLIDAY
Call Sign	Ending Notice Chime2	Amaryllis	ROBINSON	
Galactic Hovercraft	Fur Elise	Mozart Symphony No. 40	WORLD FOOTBALL ANTHEM	

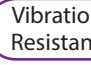
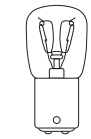

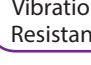
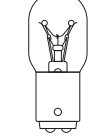

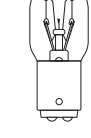

Type-G		(Worldwide)		
Beep (slow intermittent)	Gallop Hi-Lo	ET Doorbell	Mozart Symphony No. 40	Polka Trablanka
Stutter (rapid intermittent)	Alien Chatter	RR-crossing	Ave Maria	O Vreneli
Bell (clear high-pitch)	Falling Crystals	Starting Notice Chime1	Grandfather's Clock	KAERUNO GASSHOU
Yelp (rapid siren)	Inverted Reveille	Starting Notice Chime2	The Parade of the Tin Soldiers	El Condor Pasa (If I Could)
Rapid Hi-Lo	Galactic Motor	Ending Notice Chime1	If You're Happy and You Know It	Hungarian Dance No.5
Melody Chime	Ringin Phone	Ending Notice Chime2	Flea Waltz	William Tell Overture
Synthesized Piano	Two Tone	Fur Elise	Turkey in the Straw	Pomp and Circumstance
Synthesized Bell	Alarm Clock	Bach Minuet in Gmaj	The Battle Hymn of the Republic	Comedians' Galop
Stutter + Bell	Ringin Hi-Lo	Annie Laurie	J'ai perdu le do de ma clarinette	Nedelka
Melody Chime	Galactic Hovercraft	London Bridge is falling down	Can-can	Moonlight Serenade
Chime	Spring Melody	Mary had a little Lamb	Radetzky March	WAREWA UMINO KO
Call Sign	Game Intermission	The Camptown Races	Funiculi, Funicula	
Train Ride	Jalopy Horn	Amaryllis	Csikos Post	

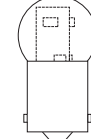
Use of Copyrighted Material

PATLITE Corporation has not applied for permission to use certain copyrighted music or songs recorded for Type-A, Type-C, Type-D and Type-F melody charts outside of Japan. Therefore, please contact the local copyright association for permission before using the product in case this product is used outside of Japan. Melody charts Type-E and Type-G are recommended for use outside of Japan as this playlist does not include copyrighted music or songs, and permission is not required.

Replacement Bulbs

Model	Bulb No.	Ratings	Part No.
 RP35/BA15S	1	12V 35W	D01203501-F1
	2	24V 35W	D02403501-F1
 RP35/BA15D	5	48V 35W	D04803502-F1
 G18/BA15S	8	6V 3W	D00600303-F1
	9	12V 10W	D01201003A-F1
	10	24V 10W	D02401003A-F1
	11	48V 10W	D04801003-F1
	12	12V 5W	D01200503A-F1
 T20/E12	13	30V 10W	D03001006A-F1
	14	110V 10W	D11001006A-F1
	15	220V 10W	D22001006A-F1
	16	110V 15W	D11001506A-F1
	17	220V 15W	D22001506A-F1
 G14/BA9S	18	12V 6W	D01200604-F1
	19	24V 6W	D02400604-F1
 T10/E10	22	110V 3W	D11000307-F1
	27	12V 0.11A	D012/1107-F1
	28	24V 0.11A	D024/1107-F1
 RP35/BA15D	36	120V 40W (Vibration Resistant)	D12004024-F1
	37	220V 30W	D22003024-F1

Model	Bulb No.	Ratings	Part No.
 Vibration Resistant	39	28V 11W	D02801111-F1
 T20/BA15D	40	110V 12W	D11001211-F1
	41	250V 11W	D25001111-F1
 S25/BA15S	42	12V 23W	D01202305-F1
	43	24V 25W	D02402505-F1
 Vibration Resistant	50	28V 20W	D02802011-F1
 T20/BA15D			
 Vibration Resistant	51	110V 20W	D11002011-F1
 T20/BA15D	53	250V 20W	D25002011-F1
	 G18/BA15S	54	12V 15W
55		24V 20W	D02402003-F1

	9	AC12V (50/60Hz) 1.7W (at 13.5VAC)	DEB-15SBA-CL
---	---	--------------------------------------	--------------

* Some bulbs may not be available due to part or product discontinuation without prior notice.

Look for this Mark:

Model **DEB LED Lamp**
Recommended Product

For more details on Model DEB
 Refer to the "Replacement Bulb"
 Section at the end of this Catalog



UL Certification Model Model Comparison Table

The "UL Registration Model", which has acquired the UL certification, is printed on the model's name plate as is for our company product. The "UL Registration Model" does not show the tier number of the actual model. Therefore, please refer to the following model comparison table when choosing the model you need. When making an order, please verify the detailed information, such as product color, etc., which is listed on the page for each product. (As of June, 30, 2011)

Model	UL Registration Model	Model	UL Registration Model	Model	UL Registration Model
ME-102A	ME_02A	LCE-1M2AFBW	LCE_ M2AFBW	LE-102FBW	LE_02FBW
ME-202A	ME_02A	LCE-2M2AFBW	LCE_ M2AFBW	LE-202FBW	LE_02FBW
ME-302A	ME_02A	LCE-3M2AFBW	LCE_ M2AFBW	LE-302FBW	LE_02FBW
ME-402A	ME_02A	LCE-4M2AFBW	LCE_ M2AFBW	LE-402FBW	LE_02FBW
ME-502A	ME_02A	LCE-5M2AFBW	LCE_ M2AFBW	LE-502FBW	LE_02FBW
MES-102A	MES_02A	LCS-102A	LCS_02A	LFH-12	LFH-12
MES-202A	MES_02A	LCS-202A	LCS_02A	LFH-24	LFH-24
MES-302A	MES_02A	LCS-302A	LCS_02A	LFH-48	LFH-48
MES-402A	MES_02A	LCS-402A	LCS_02A	LFH-M2	LFH-M2
MES-502A	MES_02A	LCS-502A	LCS_02A	LME-102	LME_02
MP-102	MP_02	LCS-102AK	LCS_02AK	LME-202	LME_02
MP-202	MP_02	LCS-202AK	LCS_02AK	LME-302	LME_02
MP-302	MP_02	LCS-302AK	LCS_02AK	LME-402	LME_02
MP-402	MP_02	LCS-402AK	LCS_02AK	LME-502	LME_02
MP-502	MP_02	LCS-502AK	LCS_02AK	LME-102L	LME_02L
MPS-102	MPS_02	LES-102A	LES_02A	LME-202L	LME_02L
MPS-202	MPS_02	LES-202A	LES_02A	LME-302L	LME_02L
MPS-302	MPS_02	LES-302A	LES_02A	LME-402L	LME_02L
MPS-402	MPS_02	LES-402A	LES_02A	LME-502L	LME_02L
MPS-502	MPS_02	LES-502A	LES_02A	LME-102W	LME_02W
LCE-102A	LCE_02A	LES-102AW	LES_02AW	LME-202W	LME_02W
LCE-202A	LCE_02A	LES-202AW	LES_02AW	LME-302W	LME_02W
LCE-302A	LCE_02A	LES-302AW	LES_02AW	LME-402W	LME_02W
LCE-402A	LCE_02A	LES-402AW	LES_02AW	LME-502W	LME_02W
LCE-502A	LCE_02A	LES-502AW	LES_02AW	LME-102FB	LME_02FB
LCE-1M2A	LCE_ M2A	LE-101P	LE_01P	LME-202FB	LME_02FB
LCE-2M2A	LCE_ M2A	LE-201P	LE_01P	LME-302FB	LME_02FB
LCE-3M2A	LCE_ M2A	LE-301P	LE_01P	LME-402FB	LME_02FB
LCE-4M2A	LCE_ M2A	LE-401P	LE_01P	LME-502FB	LME_02FB
LCE-5M2A	LCE_ M2A	LE-501P	LE_01P	LME-102FBL	LME_02FBL
LCE-102AW	LCE_02AW	LE-102P	LE_02P	LME-202FBL	LME_02FBL
LCE-202AW	LCE_02AW	LE-202P	LE_02P	LME-302FBL	LME_02FBL
LCE-302AW	LCE_02AW	LE-302P	LE_02P	LME-402FBL	LME_02FBL
LCE-402AW	LCE_02AW	LE-402P	LE_02P	LME-502FBL	LME_02FBL
LCE-502AW	LCE_02AW	LE-502P	LE_02P	LME-102FBK	LME_02FBK
LCE-1M2AW	LCE_ M2AW	LE-101W	LE_01W	LME-202FBK	LME_02FBK
LCE-2M2AW	LCE_ M2AW	LE-201W	LE_01W	LME-302FBK	LME_02FBK
LCE-3M2AW	LCE_ M2AW	LE-301W	LE_01W	LME-402FBK	LME_02FBK
LCE-4M2AW	LCE_ M2AW	LE-401W	LE_01W	LME-502FBK	LME_02FBK
LCE-5M2AW	LCE_ M2AW	LE-501W	LE_01W	LME-102FBW	LME_02FBW
LCE-102AFB	LCE_02AFB	LE-102W	LE_02W	LME-202FBW	LME_02FBW
LCE-202AFB	LCE_02AFB	LE-202W	LE_02W	LME-302FBW	LME_02FBW
LCE-302AFB	LCE_02AFB	LE-302W	LE_02W	LME-402FBW	LME_02FBW
LCE-402AFB	LCE_02AFB	LE-402W	LE_02W	LME-502FBW	LME_02FBW
LCE-502AFB	LCE_02AFB	LE-502W	LE_02W	LME-112	LME_12
LCE-1M2AFB	LCE_ M2AFB	LE-101FBP	LE_01FBP	LME-212	LME_12
LCE-2M2AFB	LCE_ M2AFB	LE-201FBP	LE_01FBP	LME-312	LME_12
LCE-3M2AFB	LCE_ M2AFB	LE-301FBP	LE_01FBP	LME-412	LME_12
LCE-4M2AFB	LCE_ M2AFB	LE-401FBP	LE_01FBP	LME-512	LME_12
LCE-5M2AFB	LCE_ M2AFB	LE-501FBP	LE_01FBP	LME-112L	LME_12L
LCE-102AFBK	LCE_02AFBK	LE-102FBP	LE_02FBP	LME-212L	LME_12L
LCE-202AFBK	LCE_02AFBK	LE-202FBP	LE_02FBP	LME-312L	LME_12L
LCE-302AFBK	LCE_02AFBK	LE-302FBP	LE_02FBP	LME-412L	LME_12L
LCE-402AFBK	LCE_02AFBK	LE-402FBP	LE_02FBP	LME-512L	LME_12L
LCE-502AFBK	LCE_02AFBK	LE-502FBP	LE_02FBP	LME-112W	LME_12W
LCE-102AFBK	LCE_ M2AFBK	LE-101FBW	LE_01FBW	LME-212W	LME_12W
LCE-202AFBK	LCE_ M2AFBK	LE-201FBW	LE_01FBW	LME-312W	LME_12W
LCE-302AFBK	LCE_ M2AFBK	LE-301FBW	LE_01FBW	LME-412W	LME_12W
LCE-402AFBK	LCE_ M2AFBK	LE-401FBW	LE_01FBW	LME-512W	LME_12W
LCE-502AFBK	LCE_ M2AFBK	LE-501FBW	LE_01FBW	—	—

Model	UL Registration Model	Model	UL Registration Model	Model	UL Registration Model
LME-112FB	LME-_12FB	LME-102UW	LME-_02UW	LME-112UFBK	LME-_12UFBK
LME-212FB	LME-_12FB	LME-202UW	LME-_02UW	LME-212UFBK	LME-_12UFBK
LME-312FB	LME-_12FB	LME-302UW	LME-_02UW	LME-312UFBK	LME-_12UFBK
LME-412FB	LME-_12FB	LME-402UW	LME-_02UW	LME-412UFBK	LME-_12UFBK
LME-512FB	LME-_12FB	LME-502UW	LME-_02UW	LME-512UFBK	LME-_12UFBK
LME-112FBL	LME-_12FBL	LME-102UFB	LME-_02UFB	LME-112UFBW	LME-_12UFBW
LME-212FBL	LME-_12FBL	LME-202UFB	LME-_02UFB	LME-212UFBW	LME-_12UFBW
LME-312FBL	LME-_12FBL	LME-302UFB	LME-_02UFB	LME-312UFBW	LME-_12UFBW
LME-412FBL	LME-_12FBL	LME-402UFB	LME-_02UFB	LME-412UFBW	LME-_12UFBW
LME-512FBL	LME-_12FBL	LME-502UFB	LME-_02UFB	LME-512UFBW	LME-_12UFBW
LME-112FBK	LME-_12FBK	LME-102UFBL	LME-_02UFBL	LME-123U	LME-_23
LME-212FBK	LME-_12FBK	LME-202UFBL	LME-_02UFBL	LME-223U	LME-_23
LME-312FBK	LME-_12FBK	LME-302UFBL	LME-_02UFBL	LME-323U	LME-_23
LME-412FBK	LME-_12FBK	LME-402UFBL	LME-_02UFBL	LME-423U	LME-_23
LME-512FBK	LME-_12FBK	LME-502UFBL	LME-_02UFBL	LME-523U	LME-_23
LME-112FBW	LME-_12FBW	LME-102UFBK	LME-_02UFBK	LME-123UL	LME-_23UL
LME-212FBW	LME-_12FBW	LME-202UFBK	LME-_02UFBK	LME-223UL	LME-_23UL
LME-312FBW	LME-_12FBW	LME-302UFBK	LME-_02UFBK	LME-323UL	LME-_23UL
LME-412FBW	LME-_12FBW	LME-402UFBK	LME-_02UFBK	LME-423UL	LME-_23UL
LME-512FBW	LME-_12FBW	LME-502UFBK	LME-_02UFBK	LME-523UL	LME-_23UL
LME-123	LME-_23	LME-102UFBW	LME-_02UFBW	LME-123UW	LME-_23UW
LME-223	LME-_23	LME-202UFBW	LME-_02UFBW	LME-223UW	LME-_23UW
LME-323	LME-_23	LME-302UFBW	LME-_02UFBW	LME-323UW	LME-_23UW
LME-423	LME-_23	LME-402UFBW	LME-_02UFBW	LME-423UW	LME-_23UW
LME-523	LME-_23	LME-502UFBW	LME-_02UFBW	LME-523UW	LME-_23UW
LME-123L	LME-_23L	LME-112U	LME-_12U	LME-123UFB	LME-_23UFB
LME-223L	LME-_23L	LME-212U	LME-_12U	LME-223UFB	LME-_23UFB
LME-323L	LME-_23L	LME-312U	LME-_12U	LME-323UFB	LME-_23UFB
LME-423L	LME-_23L	LME-412U	LME-_12U	LME-423UFB	LME-_23UFB
LME-523L	LME-_23L	LME-512U	LME-_12U	LME-523UFB	LME-_23UFB
LME-123W	LME-_23W	LME-112UL	LME-_12UL	LME-123UFBL	LME-_23UFBL
LME-223W	LME-_23W	LME-212UL	LME-_12UL	LME-223UFBL	LME-_23UFBL
LME-323W	LME-_23W	LME-312UL	LME-_12UL	LME-323UFBL	LME-_23UFBL
LME-423W	LME-_23W	LME-412UL	LME-_12UL	LME-423UFBL	LME-_23UFBL
LME-523W	LME-_23W	LME-512UL	LME-_12UL	LME-523UFBL	LME-_23UFBL
LME-123FB	LME-_23FB	LME-112UW	LME-_12UW	LME-123UFBK	LME-_23UFBK
LME-223FB	LME-_23FB	LME-212UW	LME-_12UW	LME-223UFBK	LME-_23UFBK
LME-323FB	LME-_23FB	LME-312UW	LME-_12UW	LME-323UFBK	LME-_23UFBK
LME-423FB	LME-_23FB	LME-412UW	LME-_12UW	LME-423UFBK	LME-_23UFBK
LME-523FB	LME-_23FB	LME-512UW	LME-_12UW	LME-523UFBK	LME-_23UFBK
LME-123FBL	LME-_23FBL	LME-112U	LME-_12U	LME-123UFBW	LME-_23UFBW
LME-223FBL	LME-_23FBL	LME-212U	LME-_12U	LME-223UFBW	LME-_23UFBW
LME-323FBL	LME-_23FBL	LME-312U	LME-_12U	LME-323UFBW	LME-_23UFBW
LME-423FBL	LME-_23FBL	LME-412U	LME-_12U	LME-423UFBW	LME-_23UFBW
LME-523FBL	LME-_23FBL	LME-512U	LME-_12U	LME-523UFBW	LME-_23UFBW
LME-123FBK	LME-_23FBK	LME-112UL	LME-_12UL	LME-102N	LME-_02N
LME-223FBK	LME-_23FBK	LME-212UL	LME-_12UL	LME-202N	LME-_02N
LME-323FBK	LME-_23FBK	LME-312UL	LME-_12UL	LME-302N	LME-_02N
LME-423FBK	LME-_23FBK	LME-412UL	LME-_12UL	LME-402N	LME-_02N
LME-523FBK	LME-_23FBK	LME-512UL	LME-_12UL	LME-502N	LME-_02N
LME-123FBW	LME-_23FBW	LME-112UW	LME-_12UW	LME-102NL	LME-_02NL
LME-223FBW	LME-_23FBW	LME-212UW	LME-_12UW	LME-202NL	LME-_02NL
LME-323FBW	LME-_23FBW	LME-312UW	LME-_12UW	LME-302NL	LME-_02NL
LME-423FBW	LME-_23FBW	LME-412UW	LME-_12UW	LME-402NL	LME-_02NL
LME-523FBW	LME-_23FBW	LME-512UW	LME-_12UW	LME-502NL	LME-_02NL
LME-102U	LME-_02U	LME-112UFB	LME-_12UFB	LME-102NW	LME-_02NW
LME-202U	LME-_02U	LME-212UFB	LME-_12UFB	LME-202NW	LME-_02NW
LME-302U	LME-_02U	LME-312UFB	LME-_12UFB	LME-302NW	LME-_02NW
LME-402U	LME-_02U	LME-412UFB	LME-_12UFB	LME-402NW	LME-_02NW
LME-502U	LME-_02U	LME-512UFB	LME-_12UFB	LME-502NW	LME-_02NW
LME-102UL	LME-_02UL	LME-112UFBL	LME-_12UFBL	LME-102NFB	LME-_02NFB
LME-202UL	LME-_02UL	LME-212UFBL	LME-_12UFBL	LME-202NFB	LME-_02NFB
LME-302UL	LME-_02UL	LME-312UFBL	LME-_12UFBL	LME-302NFB	LME-_02NFB
LME-402UL	LME-_02UL	LME-412UFBL	LME-_12UFBL	LME-402NFB	LME-_02NFB
LME-502UL	LME-_02UL	LME-512UFBL	LME-_12UFBL	LME-502NFB	LME-_02NFB

UL Certification Model Model Comparison Table

The "UL Registration Model", which has acquired the UL certification, is printed on the model's name plate as is for our company product. The "UL Registration Model" does not show the tier number of the actual model. Therefore, please refer to the following model comparison table when choosing the model you need. When making an order, please verify the detailed information, such as product color, etc., which is listed on the page for each product. (As of June, 30, 2011)

Model	UL Registration Model	Model	UL Registration Model	Model	UL Registration Model
LME-102NFBL	LME-_02NFBL	LME-123NW	LME-_23NW	LMS-102K	LMS-_02K
LME-202NFBL	LME-_02NFBL	LME-223NW	LME-_23NW	LMS-202K	LMS-_02K
LME-302NFBL	LME-_02NFBL	LME-323NW	LME-_23NW	LMS-302K	LMS-_02K
LME-402NFBL	LME-_02NFBL	LME-423NW	LME-_23NW	LMS-402K	LMS-_02K
LME-502NFBL	LME-_02NFBL	LME-523NW	LME-_23NW	LMS-502K	LMS-_02K
LME-102NFBK	LME-_02NFBK	LME-123NFB	LME-_23NFB	LHE-102A	LHE-_02A
LME-202NFBK	LME-_02NFBK	LME-223NFB	LME-_23NFB	LHE-202A	LHE-_02A
LME-302NFBK	LME-_02NFBK	LME-323NFB	LME-_23NFB	LHE-302A	LHE-_02A
LME-402NFBK	LME-_02NFBK	LME-423NFB	LME-_23NFB	LHE-402A	LHE-_02A
LME-502NFBK	LME-_02NFBK	LME-523NFB	LME-_23NFB	LHE-502A	LHE-_02A
LME-102NFBW	LME-_02NFBW	LME-123NFBL	LME-_23NFBL	LHE-102AFB	LHE-_02AFB
LME-202NFBW	LME-_02NFBW	LME-223NFBL	LME-_23NFBL	LHE-202AFB	LHE-_02AFB
LME-302NFBW	LME-_02NFBW	LME-323NFBL	LME-_23NFBL	LHE-302AFB	LHE-_02AFB
LME-402NFBW	LME-_02NFBW	LME-423NFBL	LME-_23NFBL	LHE-402AFB	LHE-_02AFB
LME-502NFBW	LME-_02NFBW	LME-523NFBL	LME-_23NFBL	LHE-502AFB	LHE-_02AFB
LME-112N	LME-_12N	LME-123NFBK	LME-_23NFBK	LHE-112A	LHE-_12A
LME-212N	LME-_12N	LME-223NFBK	LME-_23NFBK	LHE-212A	LHE-_12A
LME-312N	LME-_12N	LME-323NFBK	LME-_23NFBK	LHE-312A	LHE-_12A
LME-412N	LME-_12N	LME-423NFBK	LME-_23NFBK	LHE-412A	LHE-_12A
LME-512N	LME-_12N	LME-523NFBK	LME-_23NFBK	LHE-512A	LHE-_12A
LME-112NL	LME-_12NL	LME-123NFBW	LME-_23NFBW	LHE-112AFB	LHE-_12AFB
LME-212NL	LME-_12NL	LME-223NFBW	LME-_23NFBW	LHE-212AFB	LHE-_12AFB
LME-312NL	LME-_12NL	LME-323NFBW	LME-_23NFBW	LHE-312AFB	LHE-_12AFB
LME-412NL	LME-_12NL	LME-423NFBW	LME-_23NFBW	LHE-412AFB	LHE-_12AFB
LME-512NL	LME-_12NL	LME-523NFBW	LME-_23NFBW	LHE-512AFB	LHE-_12AFB
LME-112NW	LME-_12NW	LME-102-S □	LME-_02-S	LHE-123A	LHE-_23A
LME-212NW	LME-_12NW	LME-102-Q □	LME-_02-Q	LHE-223A	LHE-_23A
LME-312NW	LME-_12NW	LME-102W-S □	LME-_02W-S	LHE-323A	LHE-_23A
LME-412NW	LME-_12NW	LME-102W-Q □	LME-_02W-Q	LHE-423A	LHE-_23A
LME-512NW	LME-_12NW	LME-102FB-S □	LME-_02FB-S	LHE-523A	LHE-_23A
LME-112NFB	LME-_12NFB	LME-102FB-Q □	LME-_02FB-Q	LHE-123AFB	LHE-_23AFB
LME-212NFB	LME-_12NFB	LME-102FBW-S □	LME-_02FBW-S	LHE-223AFB	LHE-_23AFB
LME-312NFB	LME-_12NFB	LME-102FBW-Q □	LME-_02FBW-Q	LHE-323AFB	LHE-_23AFB
LME-412NFB	LME-_12NFB	LME-112-S □	LME-_12-S	LHE-423AFB	LHE-_23AFB
LME-512NFB	LME-_12NFB	LME-112-Q □	LME-_12-Q	LHE-523AFB	LHE-_23AFB
LME-112NFBL	LME-_12NFBL	LME-112W-S □	LME-_12W-S	WEP-302	WEP-_02
LME-212NFBL	LME-_12NFBL	LME-112W-Q □	LME-_12W-Q	WEP-402	WEP-_02
LME-312NFBL	LME-_12NFBL	LME-112FB-S □	LME-_12FB-S	WEP-502	WEP-_02
LME-412NFBL	LME-_12NFBL	LME-112FB-Q □	LME-_12FB-Q	WE-302	WE-_02
LME-512NFBL	LME-_12NFBL	LME-102FBW-S □	LME-_02FBW-S	WE-402	WE-_02
LME-112NFBK	LME-_12NFBK	LME-112FBW-Q □	LME-_12FBW-Q	WE-502	WE-_02
LME-212NFBK	LME-_12NFBK	LME-123-S □	LME-_23-S	WEP-302FB	WEP-_02FB
LME-312NFBK	LME-_12NFBK	LME-123-Q □	LME-_23-Q	WEP-402FB	WEP-_02FB
LME-412NFBK	LME-_12NFBK	LME-123W-S □	LME-_23W-S	WEP-502FB	WEP-_02FB
LME-512NFBK	LME-_12NFBK	LME-123W-Q □	LME-_23W-Q	WE-302FB	WE-_02FB
LME-112NFBW	LME-_12NFBW	LME-123FB-S □	LME-_23FB-S	WE-402FB	WE-_02FB
LME-212NFBW	LME-_12NFBW	LME-123FB-Q □	LME-_23FB-Q	WE-502FB	WE-_02FB
LME-312NFBW	LME-_12NFBW	LME-123FBW-S □	LME-_23FBW-S	WME-202A	WME-_02A
LME-412NFBW	LME-_12NFBW	LME-123FBW-Q □	LME-_23FBW-Q	WME-302A	WME-_02A
LME-512NFBW	LME-_12NFBW	LMS-102	LMS-_02	WME-402A	WME-_02A
LME-123N	LME-_23N	LMS-202	LMS-_02	WME-502A	WME-_02A
LME-223N	LME-_23N	LMS-302	LMS-_02	WME-2M2A	WME-_M2A
LME-323N	LME-_23N	LMS-402	LMS-_02	WME-3M2A	WME-_M2A
LME-423N	LME-_23N	LMS-502	LMS-_02	WME-4M2A	WME-_M2A
LME-523N	LME-_23N	LMS-102L	LMS-_02L	WME-5M2A	WME-_M2A
LME-123NL	LME-_23NL	LMS-202L	LMS-_02L	WME-202AFB	WME-_02AFB
LME-223NL	LME-_23NL	LMS-302L	LMS-_02L	WME-302AFB	WME-_02AFB
LME-323NL	LME-_23NL	LMS-402L	LMS-_02L	WME-402AFB	WME-_02AFB
LME-423NL	LME-_23NL	LMS-502L	LMS-_02L	WME-502AFB	WME-_02AFB
LME-523NL	LME-_23NL	—	—	—	—

