

SPECIFICATIONS

Model	5 tiers	LS7-502(D/S)(F)BW(H/C)-△△△△△ ※1 ※2				
	3 tiers	LS7-302(D/S)(F)BW(H/C)-△△△NN ※1 ※2				
Rated Voltage		24V DC (50/60Hz)				
Operating Voltage		Rated Voltage ±10%				
Current Consumption	Per Unit					Buzzer
		Red	Amber	Green	Blue	
	Typ.	20 mA	30 mA			40 mA
Max.	35 mA	40 mA			55 mA	
Power Consumption	Per Unit					Buzzer
		Red	Amber	Green	Blue	
		0.48W	0.72W			0.96W
Operating Temperature Range (Relative Humidity)		- 30°C to + 60°C (Less than 90%)				
Mounting	Location	Indoor Only				
	Direction	Upright Only				
Protection Rating		IP66 (Illumination Type), IP65 (Buzzer Type)				
Vibration Resistance		19.6m/s ² (30Hz, Back and Forth:2h · Right to Left:2h · Up and Down:2h)				
Insulation Resistance		More than 1MΩ at 500VDC between the terminals and the chassis				
Withstanding Voltage		500VAC applied for 1min between terminals and chassis without breaking insulation				
Flashing Rate		60 ±12 Flashes Per Minute※3				
Buzzer Lead Wire	Sound Level	Volume Adjustment Range (1 meter distance from buzzer diaphragm and sound meter at balance "A"): Buzzer1: 82dB or more(at 1m), Buzzer2: 85dB or less(at 1m)				
	Tone	Buzzer1: Intermittent Beep1 Buzzer2: Intermittent Beep2				
Buzzer M12 Connector	Sound Level	Volume Adjustment Range (1m from center of Buzzer with dB meter set at 'A' weight): Buzzer1: 82dB or more(at 1m)				
	Tone	Buzzer1: Intermittent Beep1				
Luminous Intensity (mcd)	Red	Amber	Green	Blue	White	
	490 or more		1140 or more		940 or more 195 or more 1000 or more	
Mass (Tolerance ±10%)	Lead Wire	3 tiers			5 tiers	
		370g			370g	
	M12 Connector	3 tiers			5 tiers	
		320g			320g	
No. LS7-FB-PDFA-EN		<ul style="list-style-type: none"> ▪ This product conforms to the CE requirements and shows the CE Marking. (EN61000-6-4:2007 , EN61000-6-2:2005) ▪ This product complies with the RoHS Directive (DIRECTIVE 2002/95/EC) ▪ Recognized as UL Standard (File No. E215660) ▪ Body Color : No Marking- Off-white; D- Dark Gray; S- Silver Bracket : W- Direct Installation. Wiring : H- Lead Wire C- M12 Connector <p>※1:△=R/Y/G/B/C/N (LED Colors: R=Red, Y=Yellow, G=Green, B=Blue, C=White, N=Blank) ※2: The order of the LED colors △△△△△ from left to right is representative of tiers from top to bottom. ※3: F- Flashing Type, applies to Lead Wire models only.</p>				
PATLITE Corporation						

指定公差	角度公差 Angular tolerance	± [°]	寸法公差 Dimensional tolerance	± [mm]	符号 Syn.	年月日 Date	訂正履歴 Revisions	記印 Sgn.	検印 Chk.					
短辺公差	~	~	6	30	120	300	1000	△	-					
長さ公差	10	50	100	~	精	f	0.05	0.1	0.2	0.4	0.6	△	-	
粗公差	f	1	0.5	0.3	0.1	中	m	0.1	0.3	0.5	0.7	1	△	-
	v	3	1.5	1	0.5	粗	c	0.3	0.5	1	1.2	2	△	-

[Model Number Configuration]

LS7-502DFBWH-RYGBC

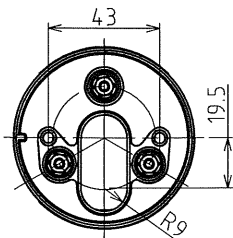
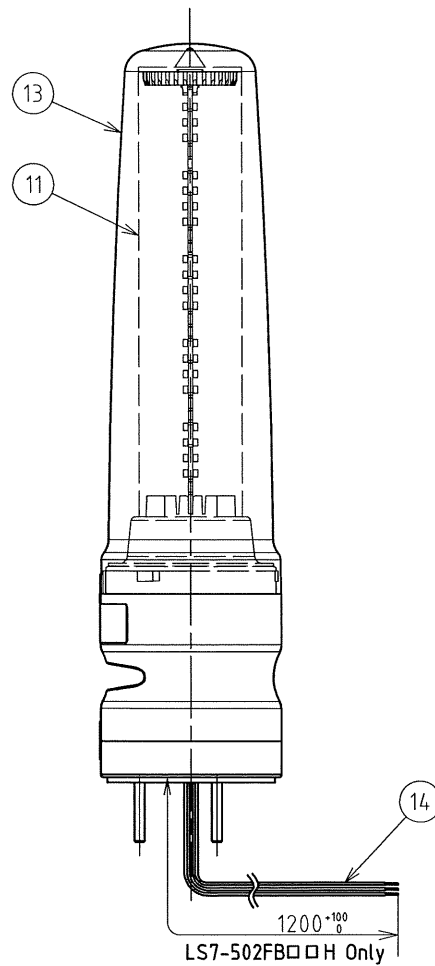
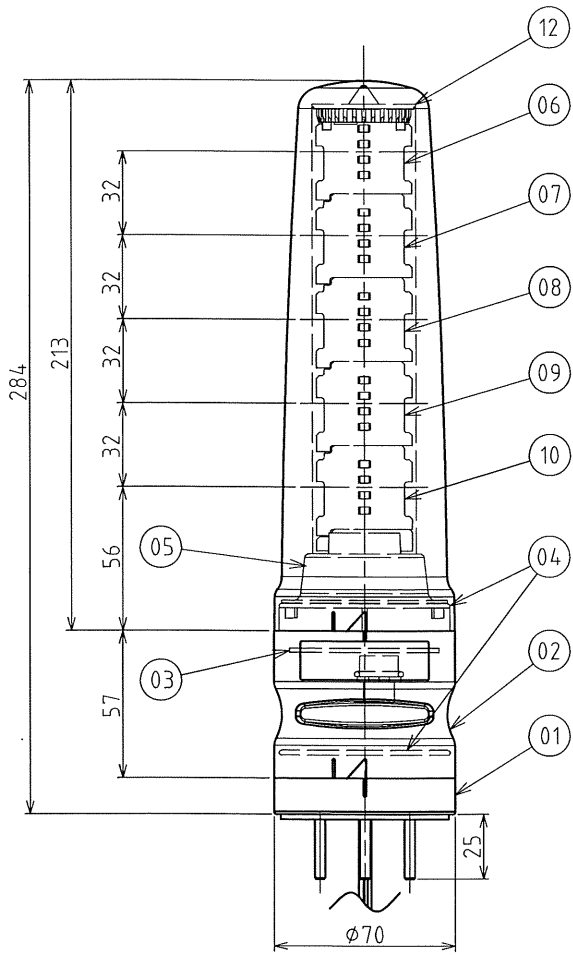
Body Color
Blank : Off White
D : Dark Gray
S : Silver

Mounting
W : Direct Mount
Z : Platform Bracket

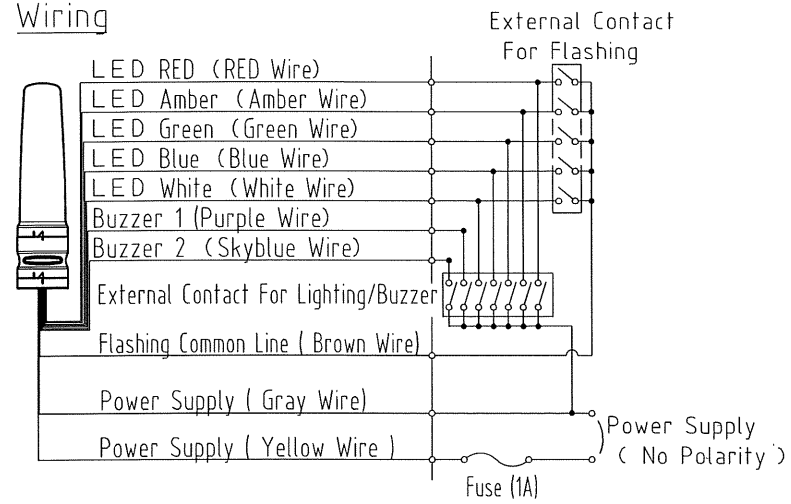
Blank : Lighting
FB : Flashing / Buzzer

Wiring
C : M12 Connector
H : Lead Wire

LED Cplor
R : Red
Y : Amber
G : Green
B : Blue
C : White



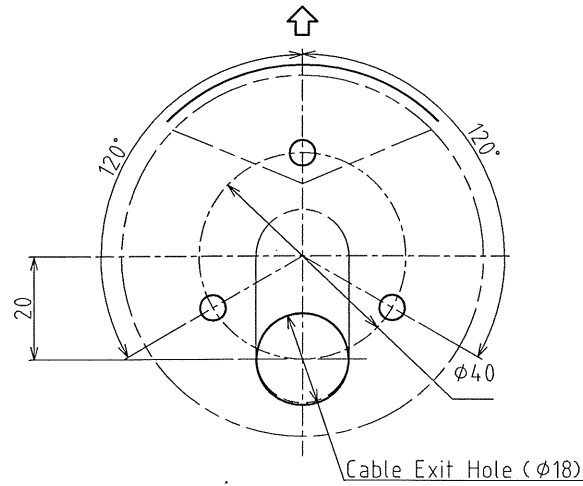
Wiring



(⑭) : Lead Wire

Wire Color	
RED	LED Red
AMBER	LED Amber
GREEN	LED Green
BLUE	LED Blue
WHITE	LED White
YELLOW	Common Line
SKYBLUE	Buzzer 1
PURPLE	Buzzer 1
BROWN	Common Line

Front Direction
(Buzzer)



Installation Dimensional Drawing (mm)

No.	Part Name	Part No.	Qty	Material & Size & Finish	Remarks
14	Wire / Connector		1	H : UL1007 AWG22 C : M12 Connector	
13	Dome		1	Polycarbonate Resin	
12	Cap		1	Silicon	
11	Inner Lens		1		
10	LED White		1		
9	LED Blue		1		
8	LED Green		1		
7	LED Amber		1		
6	LED RED		1		
5	Inner Bracket		1	ABS Resin	
4	O Ring		2		
3	Flashing/Buzzer PCB		1	Silicon	
2	Buzzer Case		1	ABS Resin	
1	Mount Bracket		1	ABS Resin	

- 発行先 確認
- 製造
- 製造技術
- 購買生産
- 部品管理
- 品質管理
- 海外生産
- 配送
- 技術
- ソフト
- 営業拠点
- 営業企画
- CS室
- 合計