



LE



Signal Tower

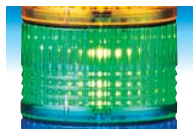
Direct Mount

Pole Mount



- LED
- 2 Alarm Sounds (FB Type)
- 85dB at 1m
- IP54 (Pole-mount IP23)
- Ø50
- NPN/PNP Open-collector

Versatile, cost and energy efficient LED Signal Tower for every need.



High visibility from any angle



Dual Reflection System

PATLITE's original dual reflection system with its exclusive hybrid prism-cut lens and 5 color LED modules creates a bright, distinctive and even illumination.

FEATURES

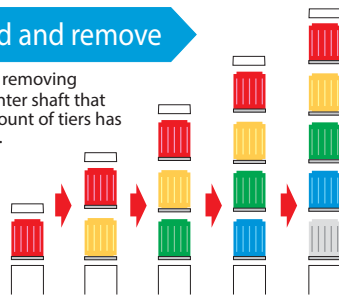
- PATLITE's exclusive Prism-Cut Lens designed for enhanced visibility from any direction and distance.
- Original Dual Reflection System for enhanced light diffusion; creating bright, distinctive illumination while saving energy.
- Two built-in alarms (FB Type) with selectable sound patterns.
- Adjustable volume of up to 85dB (at 1m).
- Direct or pole mount installation.
- Color-coordinated wiring corresponding to the lens color for quick wiring and verification.
- Interchangeable Modules need no re-wiring, even after installation.
- Main body is constructed of ABS resin with superior resistance to impact and heat.
- Lens is made of superior impact resistant and light translucent AS resin.
- NPN/PNP Compatible (Except for LE 100/220V AC, compatible with NPN only).
- Available colors are in Red, Amber, Green, Blue, and Clear/White.
- Conforms to the CE requirements (for 12V, 24V type only).
- UL Recognized Components (File No. E215660) (for 12V,24V type only).

How to Order

LE-502FBW-RYGBC	
Tiers 1~5	Color R: Red Y: Amber G: Green B: Blue C: Clear/White (Top to bottom)
Rated Voltage 01: AC/DC 12V 02: AC/DC 24V 10: AC 100V 20: AC 220V	Mounting P: SZ-012 Pole Mount W: Direct Mount
Type Blank: Continuous light FB: Flashing/ Alarm	

Easy to add and remove

- When adding or removing modules, the center shaft that matches the amount of tiers has to be purchased.



Interchangeable LED Modules

Changeable color sequence: Easy to add/remove up to 5 colored modules even after installation.

Note: LED modules of the same color within a signal tower will light up simultaneously.

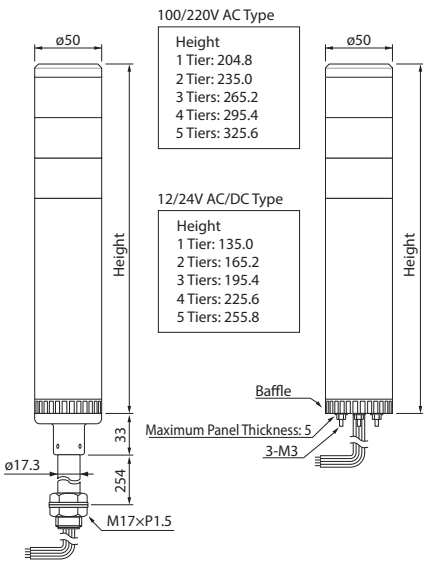
Wiring doesn't change

- The LED Module colors correspond to the wiring, so re-wiring is not necessary.



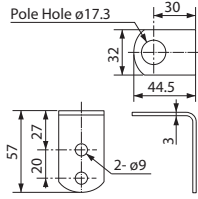
Dimensions

LE Type

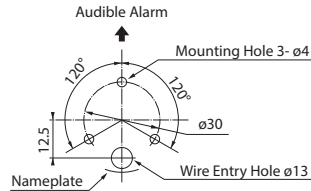


LE-FB Type

Side-Mount Bracket



Mounting Dimension



(Unit: mm)

Specifications

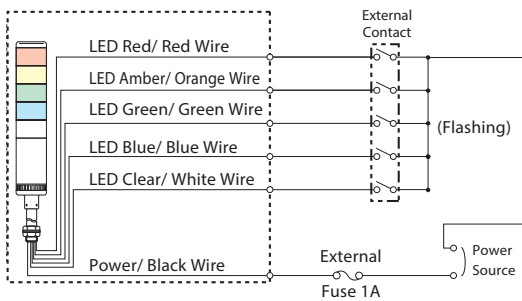
Stack Number	Model	Rated Voltage	Power Consumption	Mass	
				(FB)P	(FB)W
1 Tier	LE-101	AC/DC 12V	1.1W	640g	260g
	LE-102	AC/DC 24V	1.6W		
	LE-110	AC 100V	5.7W	780g	400g
	LE-120	AC 220V			
2 Tiers	LE-201	AC/DC 12V	1.7W	690g	310g
	LE-202	AC/DC 24V	2.2W		
	LE-210	AC 100V	6.7W	830g	450g
	LE-220	AC 220V			
3 Tiers	LE-301	AC/DC 12V	2.2W	740g	360g
	LE-302	AC/DC 24V	2.7W		
	LE-310	AC 100V	7.5W	880g	500g
	LE-320	AC 220V			
4 Tiers	LE-401	AC/DC 12V	2.7W	790g	410g
	LE-402	AC/DC 24V	3.2W		
	LE-410	AC 100V	8.3W	930g	550g
	LE-420	AC 220V			
5 Tiers	LE-501	AC/DC 12V	3.2W	840g	460g
	LE-502	AC/DC 24V	3.7W		
	LE-510	AC 100V	9.1W	980g	600g
	LE-520	AC 220V			



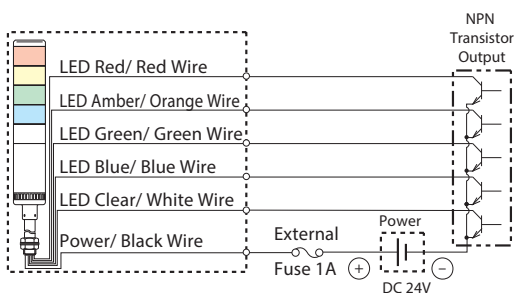
Wiring

LE Model

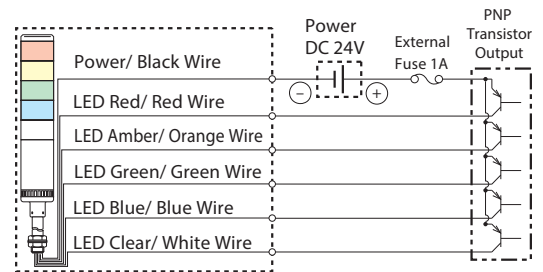
AC/DC 24V Lighting Type



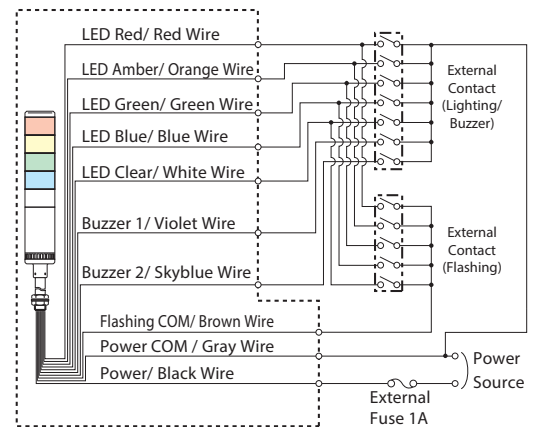
DC 24V NPN Type



DC 24V PNP Type

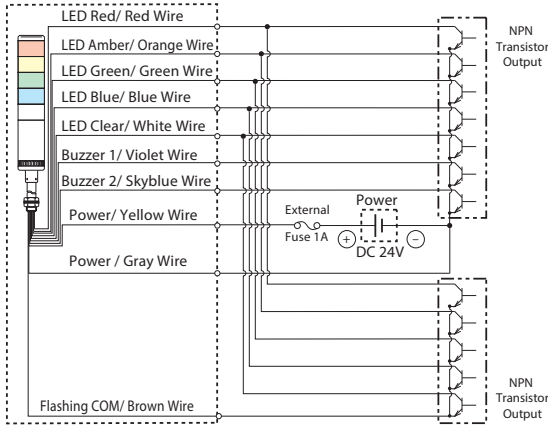


AC/DC 24V Lighting/Flashing Type

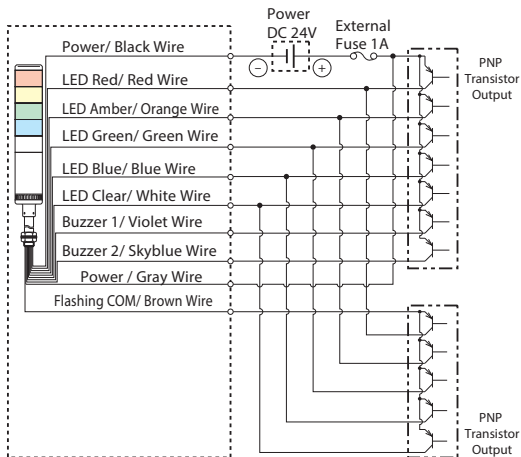


LE Model

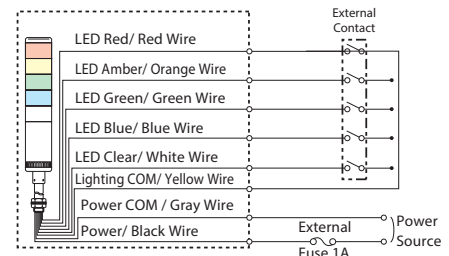
• DC 24V NPN FB Type



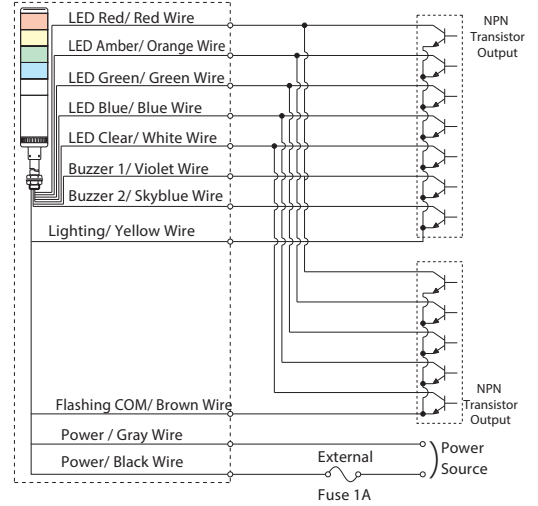
• DC 24V PNP FB Type



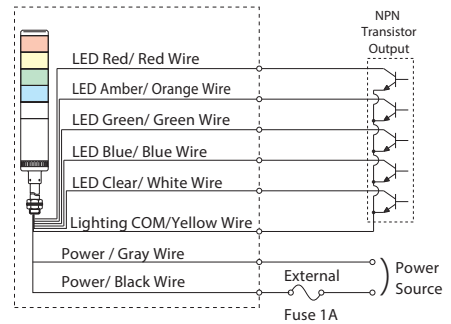
• AC Power Lighting Type



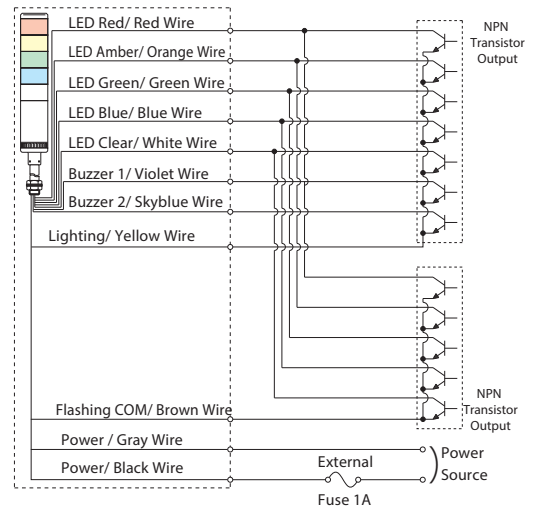
• AC Power Lighting/Flashing Type



• AC Power NPN Type



• AC Power NPN FB Type



Signal Line Voltage and Current per LED Module

Voltage Type	Signal Line Voltage	LED			Alarm	
		Signal Line Current			Signal Line Current	Inrush Current
		R, Y	G, C	B		
AC/DC 12V	AC/DC 12V	50mA	40mA	44mA	40mA	150mA
AC/DC 24V	AC/DC 24V	25mA	20mA	22mA		
AC 100V, 220V	DC 24V	25mA	20mA	22mA		

Lead-wire color coordination table

LED Unit Color	Lead Wire Color
Red	Red
Amber	Orange
Green	Green
Blue	Blue
Clear/White	White

Alarm Sounds	Lead Wire Color
Buzzer 1	Purple
Buzzer 2	Skyblue