

# EWH24E/EXN EXPLOSION-SAFE

CE II 3 GD; Ex nA II T4; Ex tD A22 IP65 T85°C 94/9/EC CENELEC: EN60079-15, EN60079-0, EN61241-1, EN61241-0

## 105dB (at 1m) Melodies & Chimes Horn

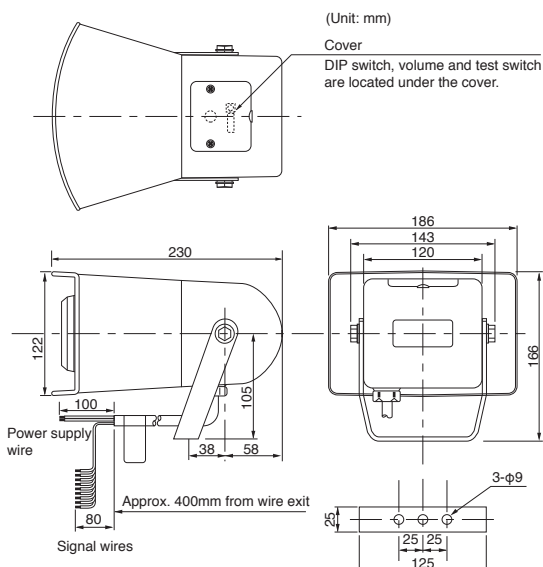
- Explosion-safe for gas and dust
- Suitable for Zone 2 and Zone 22
- CE compliance in accordance to ATEX
- 32 combinations of melodies, chimes and sounds are pre-recorded.
- Adjustable audible sound volume up to 105dB at 1 meter
- Indoor Installation: upright, inverted, and sideways.
- Outdoor: upright installation only.
- Provided with the anti-corrosive stainless steel mounting bracket.
- NPN is standard for the EWH type. PNP open collector is available on order.
- CE compliant : 24VAC/DC only
- IP65



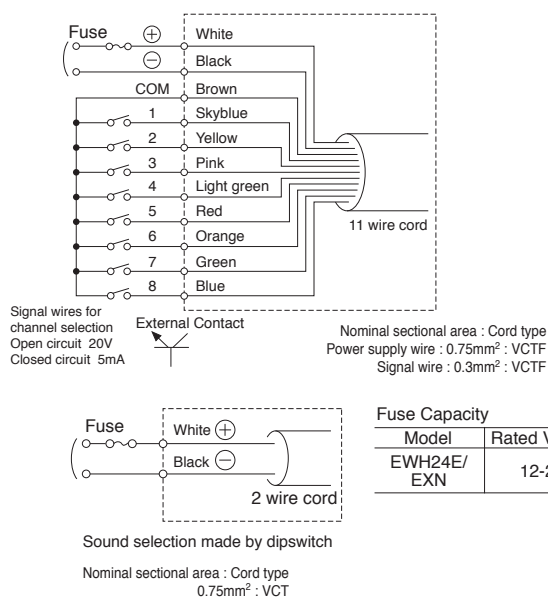
EWH24E/EXN



### ■ Dimensions



### ■ Wiring Diagram



Fuse Capacity		
Model	Rated Voltage	Fuse
EWH24E/EXN	12-24V	1A (Slow-blow)

### Test Switch

The test switch can be used to check the operation or adjust sound volume (Located under the cover).

### Channel priority

8 (Blue) > 7 (Green) > 6 (Orange) > 5 (Red) > 4 (Lightgreen) > 3 (Pink) > 2 (Yellow) > 1 (Skyblue)  
The greater number has priority when any of the channels are activated simultaneously.

### ■ Sound Selection Charts

- Pre-recorded on model EWH24E/EXN

Beep	Stutter + Bell	Inverted Revelle	Annie Laurie
Stutter	Synthesized Melody	Galactic Motor	London Bridge
Bell	Chime	Ringing Phone	Mary's Lamb
Yelp	Call Sign	Two Tone	Camptown Races
Rapid Hi Lo	Train Ride	Alarm Clock	Amaryllis
Melody Chime	Galloping Hi Lo	Ringing Hi Lo	Symphony #40
Synthesized Piano	Alien Chatter	Fur Elise	Ave Maria
Synthesized Bell	Falling Crystals	Minuet	Grandfather's Clock

### ■ Specifications

Model	Rated Voltage	Voltage Range	Power Consumption	Volume	Outer Contact Capacity	Operating Temperature Range	Auxiliary Input	Channel	Protection Rating	Mass
EWH24E/EXN	12/24V AC/DC	8~28V AC 9~35V DC	8W	Max. 105dB at 1m	No more than 5A	-20°C~+60°C Humidity 85% or less.	EWH: Non-voltage Contact	8ch/1bit or 32ch/binary	IP65	1.2kg