

multibox® *picofast*® Junction Boxes, 10-port

- 10 Inputs/Outputs
- M16 Quick Disconnect or Integral Home Run Cable
- For Use with 3-pin Snap Lock *picofast* Cordsets
- Available with or without LEDs

10-port, J-box, Snap Lock, 48 VDC

Application	Specifications	Pinout		No LEDs	PNP LED
10-port J-box Standard wiring Integral cable	3 A/port, 3 A total Black PVC cable 12x24 AWG Foil shield and 26 AWG drain	Function	Color	Function	Color
		+V	BN	Port 5	Tn
		-V	BU	Port 6	WH
		Port 1	RD	Port 7	GN
		Port 2	BK	Port 8	YE
		Port 3	VT	Port 9	GY
		Port 4	OG	Port 10	PK
				VB 1003-*	VB 1003-PX10-*



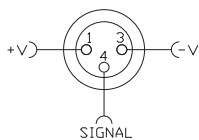
10-port, J-box, Snap Lock, 48 VDC

Application	Specifications	Pinout		No LEDs	PNP LED
10-port J-box Standard wiring M16 connector	3 A/port, 3 A total 14 pin connector M16 threads Mates with BKM 14-755- or BKWM 14-755-*	Function	Pin/Color	Function	Pin/Color
		+V	M/BN	Port 5	N/TN
		-V	U/BU	Port 6	R/WH
		Port 1	P/RD	Port 7	G/GN
		Port 2	E/BK	Port 8	S/YE
		Port 3	O/VT	Port 9	J/GY
		Port 4	C/OG	Port 10	T/PK
				VB 1003-BS14	VB 1003-PX10-BS14

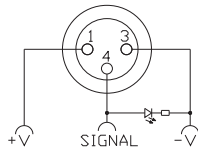
* Length in meters

Functional Wiring Diagrams

No LED Version



PNP LED Version



Pinouts

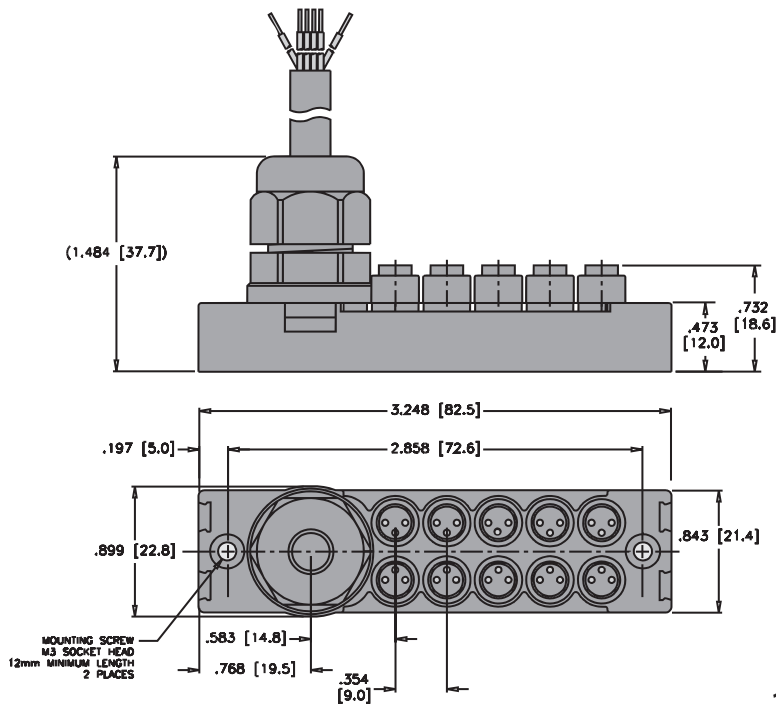
Female	Male
3-pin picofast	14-pin versafast ®

Specifications

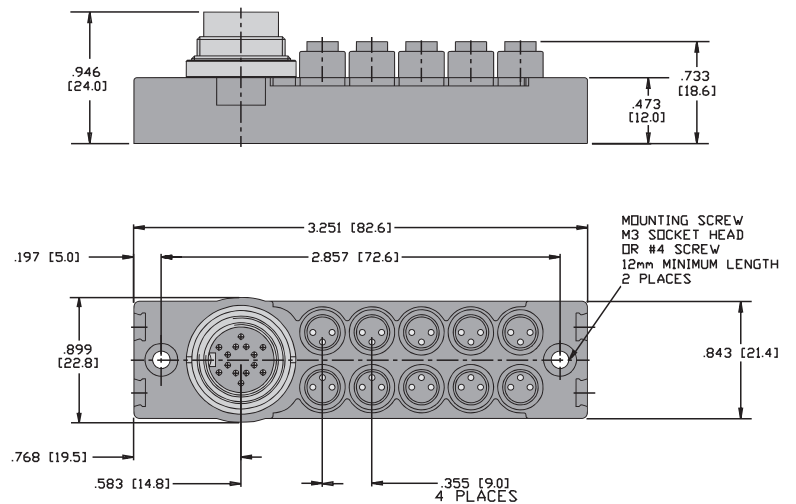
Housing:	Nylon
Connectors:	TPU or Nylon
Contacts:	Gold plated brass
Temperature:	-30°C to +80°C (-22°F to +176°F)
Protection Class:	IEC IP67
Accessories:	Closure cap, PSG-CC (optional - 2 included)
Cable Length:	Standard length for junction boxes and M16 cordsets is nominal 5 meters Other lengths available by request - Consult factory

Dimensions

10-Port with Integral Home Run Cable



10-Port with M16 Home Run Connector



Multibox, picofast