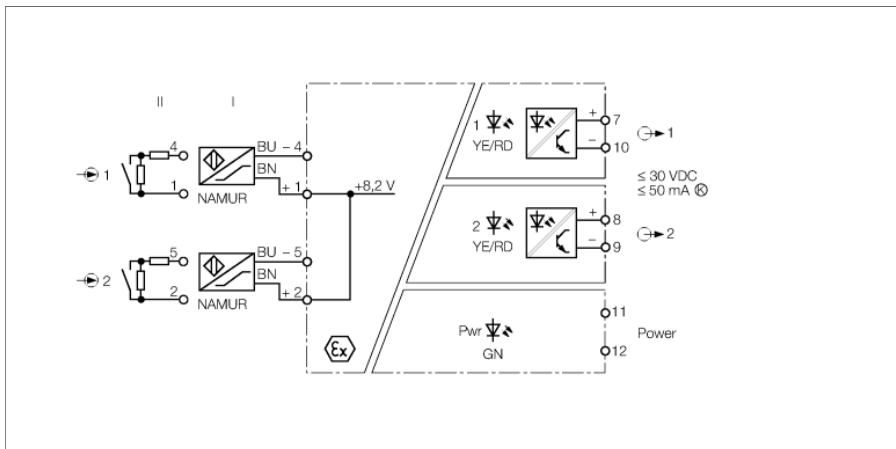


# Isolating switching amplifier

## 2-channel

### IM1-22EX-T



The 2-channel IM1-22EX-T isolating switching amplifier is equipped with intrinsically safe input circuit.

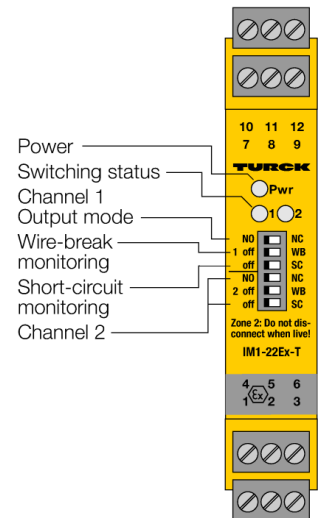
Sensors according to EN 60947-5-6 (NAMUR) or potential-free contact transmitters can be connected to the device.

The output circuits feature 2 potential-free and short-circuit proof transistors.

Via six switches on the front, you can set the operating behaviour for each channel separately (work or quiescent current behaviour, i.e. NO/NC) as well as switch wire-break (WB) and short-circuit monitoring (SC) on and off.

When using mechanical contacts, wire-break and short-circuit monitoring must be switched off or the contacts must be wired to resistors (II) (see circuit diagram).

The Pwr LED lights green to indicate operational readiness. The 2-color LEDs 1 and 2 light yellow to indicate the switching status of the associated output. In the event of an input circuit error, the 2-color LED of the assigned faulty input turns red, with the input circuit monitoring switched on. Thereupon the associated output transistor is blocked.



- **2 transistor outputs**
- **Output mode adjustable (NO/NC mode)**
- **Input circuits monitored for wire-break/short-circuit (ON/OFF switchable)**
- **SIL 2**
- **Complete galvanic isolation**
- **Input reverse-polarity protected**
- **ATEX, IECEx, UL,  $\text{FM}_{us}$ , CSA, TR CU, NEPSI, KOSHA, TIIS, CCOE, INMETRO**
- **Installation in zone 2**

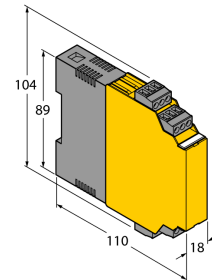
# Isolating switching amplifier

## 2-channel

### IM1-22EX-T

<b>Type</b>	IM1-22EX-T
ID	7541232
<b>Nominal voltage</b>	Universal voltage supply unit
Operating voltage	20...250 VAC
Frequency	40...70 Hz
Operating voltage	20...125 VDC
Power consumption	≤ 3 W
Power dissipation, typical	≤ 0.54 W
<b>NAMUR input</b>	
NAMUR	EN 60947-5-6
Input circuit monitoring	on/off switchable
No-load voltage	8.2 VDC
Short-circuit current	8.2 mA
Input resistance	1 kΩ
Cable resistance	≤ 50 Ω
Switch-on threshold	1.75 mA
Switch-off threshold	1.55 mA
Wire breakage threshold	≤ 0.06 mA
Short-circuit threshold	≥ 6.4 mA
<b>Output circuits</b>	
Semiconductor output circuit(s)	
Output circuits (digital)	2 x transistor (potential-free, short-circuit proof)
Switching voltage	≤ 30 VDC
Switching current per output	≤ 0.05 A
Switching frequency	≤ 5000 Hz
Voltage drop	≤ 2.5 V
<b>Galvanic isolation</b>	
Test voltage	2.5 kV RMS
<b>Important note</b>	For Ex-applications the values specified in the corresponding Ex certificates (ATEX, IECEx, UL, etc.) apply.
Ex approval acc. to conformity certificate	TÜV 04 ATEX 2553
Application area	II (1) G, II (1) D
Ignition protection category	[Ex ia Ga] IIC; [Ex ia Da] IIIC
Ex approval acc. to conformity certificate	TÜV 06 ATEX 552968 X
Application area	II 3 G
Ignition protection type	Ex nA [ic Gc] IIC/IIB T4 Gc
Characteristic	linear
Important note	If the device is used in applications to achieve functional safety according to IEC 61508, the safety manual must be used. Information in the data sheet are not valid for functional safety.
Approval	SIL 2 acc. to EXIDA FMEDA
Use in SIL safety circuits	SIL 2 acc. to IEC 61508
<b>Displays/Operating elements</b>	
Switching state	Yellow
State/ Fault	2 x yellow/red
Error indication	red

#### Dimensions



# Isolating switching amplifier

## 2-channel

### IM1-22EX-T

---

**Mechanical data**

Protection class	IP20
Flammability class acc. to UL 94	V-0
Ambient temperature	-25...+70 °C
	-25 ... +60 °C für UL, FM, TIIS
Storage temperature	-40...+80 °C
Dimensions	104 x 18 x 110 mm
Weight	158 g
Mounting instructions	DIN rail (NS35) or panel
Housing material	Polycarbonate/ABS
Electrical connection	4 × 3-pin removable terminal blocks, reverse polarity protected, screw terminal
Terminal cross-section	1 × 2.5 mm <sup>2</sup> /2 × 1.5 mm <sup>2</sup>
Tightening torque	0.5 Nm

**Isolating switching amplifier**  
**2-channel**  
**IM1-22EX-T**

**Accessories**

Type code	Ident-No.		Dimension drawing
WM1 WIDER-STANDSMODUL	0912101	The resistor module WM1 meets the requirements for line monitoring between a mechanical contact and a TURCK signal processor. The input circuit of the signal processor is designed for sensors acc. to EN60947-5-6 (NAMUR) and equipped with a wire-break and short-circuit monitoring function.	
IM-CC-3X2BU/2BK	6900475	Cage clamp terminals for IM modules (Ex-devices with 18 mm overall width); includes: 2 pcs. 3-pin blue terminals and 2 pcs. 3-pin black terminals.	