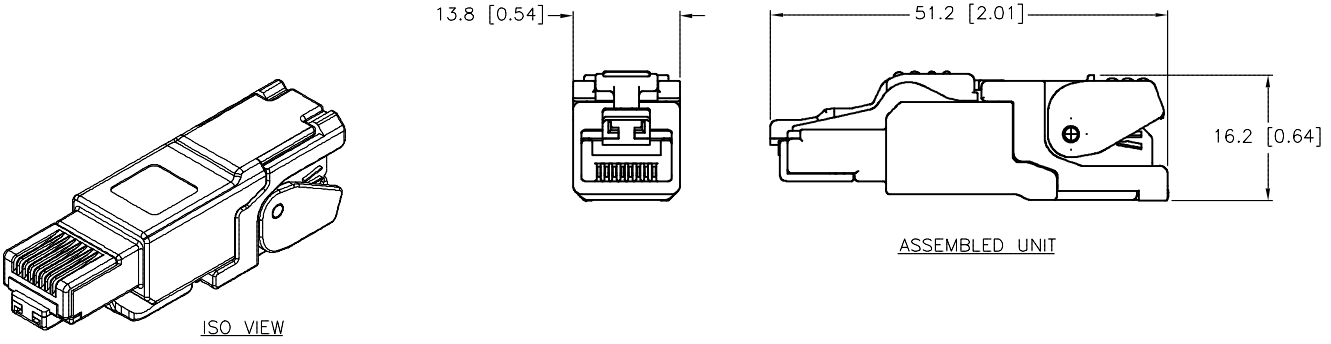
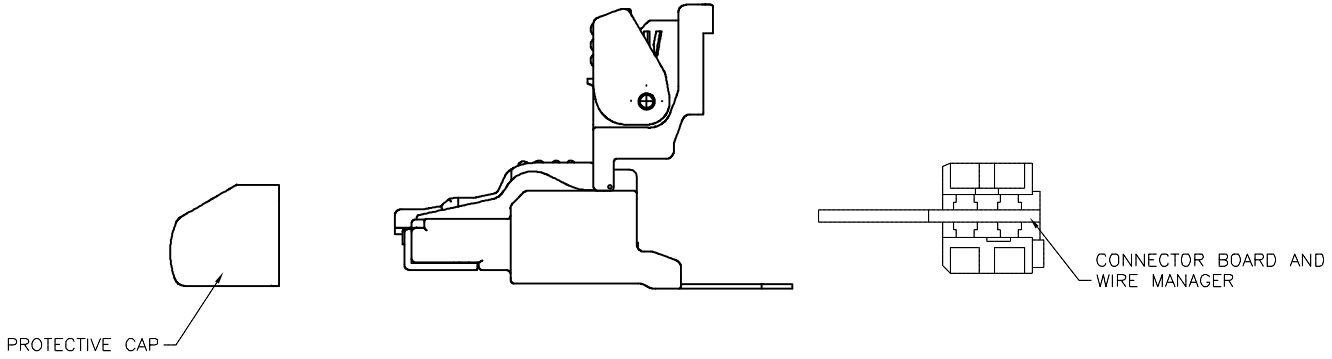


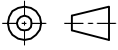
MALE END VIEW	PIN	T568A	T568B	PROFINET
 <p>12345678</p>	1	WHITE/GREEN	WHITE/ORANGE	YELLOW
	2	GREEN	ORANGE	ORANGE
	3	WHITE/ORANGE	WHITE/GREEN	WHITE
	4	BLUE	BLUE	N/C
	5	WHITE/BLUE	WHITE/BLUE	N/C
	6	ORANGE	GREEN	BLUE
	7	WHITE/BROWN	WHITE/BROWN	N/C
	8	BROWN	BROWN	N/C

SPECIFICATIONS	
HOUSING MATERIAL/PLATING	DIE-CAST ZINC/NICKEL
CONDUCTOR SIZE RATING [AWG]	22-27 AWG, STRANDED 22-24 AWG, SOLID
CABLE DIAMETER RANGE	ø5.5mm-9.0mm [0.22"-0.35"]
OPERATING TEMPERATURE	-40°C to +85°C (-40°F to +185°F)
PROTECTION CLASS	IP20
RF TRANSMISSION PARAMETER	CAT. 6A
TRANSFER IMPEDENCE/SHIELD ATTENUATION	CAT. 6A



SOURCE DRAWING - FOR REFERENCE ONLY

- NOTES:
- ALL DIMENSIONS REFERENCE.
 - ASSEMBLY INSTRUCTIONS INCLUDED ON THE BAG.

RELATED DOCUMENTS		3RD ANGLE PROJECTION		THIS DRAWING IS CONFIDENTIAL AND THE PROPERTY OF TURCK INC. USE OF THIS DOCUMENT WITHOUT WRITTEN PERMISSION IS PROHIBITED.		TURCK INC <i>High Technology Sensors and Automation Controls</i> 3000 CAMPUS DRIVE MINNEAPOLIS, MN 55441 1-800-544-7769 (763) 553-7300 (763) 553-0708 fax turck.com	
1.			DRFT	RDS	DATE	12/30/10	DESCRIPTION CONNECTOR, FW,RJ45S 84 IDC
2.			APVD		SCALE	1=1.0	
3.		ALL DIMENSIONS DISPLAYED ON THIS DRAWING ARE FOR REFERENCE ONLY CONTACT TURCK FOR MORE INFORMATION	UNIT OF MEASUREMENT		IDENTIFICATION NO.		REV
4.			MILLIMETER [INCH]		U2-18467		C
MATERIAL	SEE SPECIFICATIONS	DO NOT SCALE THIS DRAWING		FILE: U2-18467		SHEET 1 OF 1	
FINISH	SEE SPECIFICATIONS						

C	UPDATED SPECS PER ECO	TV	12/28/15	52858
REV	DESCRIPTION	BY	DATE	ECO NO.