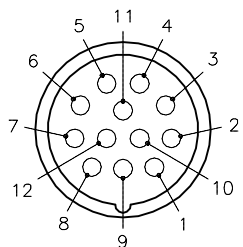



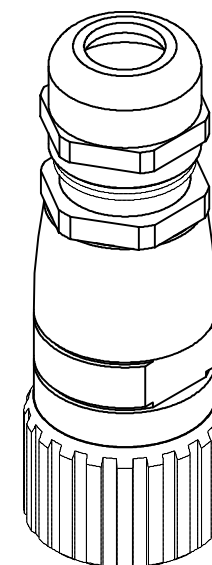
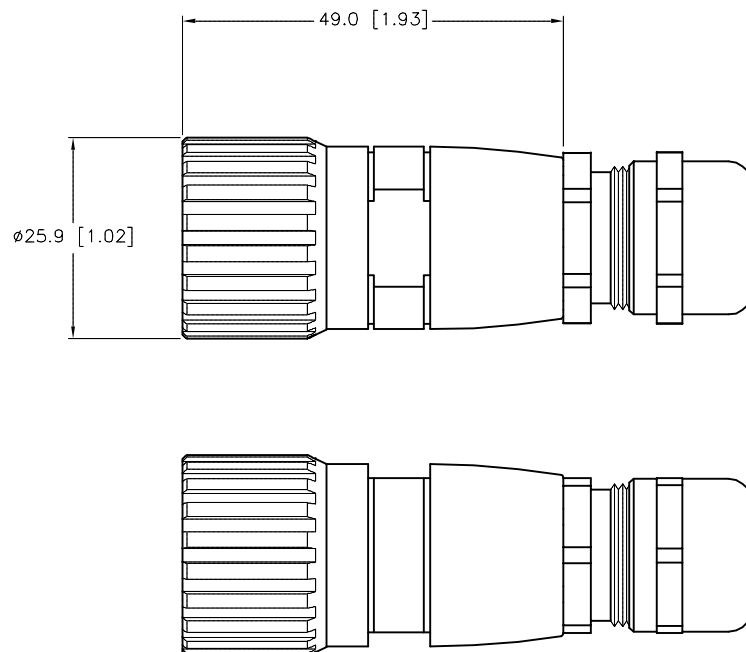
FEMALE END VIEW



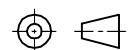
 M23 connector

SPECIFICATIONS

CONTACT CARRIER MATERIAL	PBT OR NYLON
CONTACT MATERIAL/PLATING	BRASS/GOLD
COUPLING NUT MATERIAL/PLATING	BRASS/NICKEL
GASKET	PERBUNAN OR FLUOR RUBBER
RATED CURRENT [A]	8.0 A
RATED VOLTAGE [V]	150 V
MAX. CONDUCTORS SIZE	18 AWG
TERMINATION METHOD	SOLDER
TEMPERATURE	-40°C to +125°C (-40°F to +257°F)
PROTECTION CLASS	IP67
CABLE DIAMETERS	3mm (.118") TO 10.5mm (.413")



SOURCE DRAWING - FOR REFERENCE ONLY

RELATED DOCUMENTS 1. NOTE 2. PRELIMINARY 3. SPECIFICATIONS 4.		3RD ANGLE PROJECTION 	THIS DRAWING IS CONFIDENTIAL AND THE PROPERTY OF TURCK INC. USE OF THIS DOCUMENT WITHOUT WRITTEN PERMISSION IS PROHIBITED.	3000 CAMPUS DRIVE MINNEAPOLIS, MN 55441 1-800-544-7769 (763) 553-7300 (763) 553-0708 fax turck.com
MATERIAL	FINISH	DRFT RDS APVD	DATE 05/06/16 SCALE 1=1.0	DESCRIPTION CK 125-0
ALL DIMENSIONS DISPLAYED ON THIS DRAWING ARE FOR REFERENCE ONLY		UNIT OF MEASUREMENT MILLIMETER [INCH]		IDENTIFICATION NO. U0930-02
CONTACT TURCK FOR MORE INFORMATION		DO NOT SCALE THIS DRAWING		REV P1
P1	DRAWING RELEASE PENDING	RDS	05/06/16	
REV	DESCRIPTION	BY	DATE	ECO NO.

P1	DRAWING RELEASE PENDING	RDS	05/06/16	
REV	DESCRIPTION	BY	DATE	ECO NO.