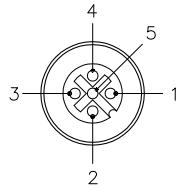
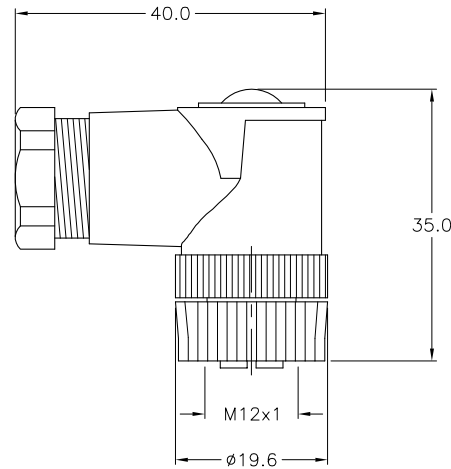


FEMALE END VIEW



SPECIFICATIONS

HOUSING MATERIAL/PLATING	NYLON/BLACK
CONTACT MATERIAL/PLATING	BRASS/GOLD
COUPLING NUT MATERIAL/COLOR	NYLON/BLACK
RATED CURRENT [A]	4.0 A
RATED VOLTAGE [V]	60 V
MAXIMUM WIRE SIZE	18 AWG
CABLE GRIP RANGE	4-8mm
TEMPERATURE RATING	-25°C to +85°C (-13°F to +185°F)
PROTECTION CLASS	MEETS IEC IP67



SOURCE DRAWING - FOR REFERENCE ONLY

RELATED DOCUMENTS 1. 2. 3. 4.	3RD ANGLE PROJECTION 	THIS DRAWING IS PROPERTY OF TURCK INC. USE OF THIS DOCUMENT WITHOUT WRITTEN PERMISSION IS PROHIBITED.		TURCK INC High Technology Sensors and Automation Controls 3000 CAMPUS DRIVE MINNEAPOLIS, MN 55441 1-800-544-7769 (763) 553-7300 (763) 553-0708 fax turck.com	
	MATERIAL SEE SPECIFICATIONS	DRFT CBM	DATE 05/04/99	DESCRIPTION B 8251-0/PG9	
FINISH SEE SPECIFICATIONS	ALL DIMENSIONS DISPLAYED ON THIS DRAWING ARE FOR REFERENCE ONLY	DSGN	SCALE 1=1.0	UNIT OF MEASUREMENT MILLIMETERS	IDENTIFICATION NO. U6575
CONTACT TURCK FOR MORE INFORMATION	DO NOT SCALE THIS DRAWING	FILE: U6575		REV F	SHEET 1 OF 1

F	UPDATE CABLE GRIP RANGE	RDS	04/12/11	34802
REV	DESCRIPTION	BY	DATE	ECO NO.