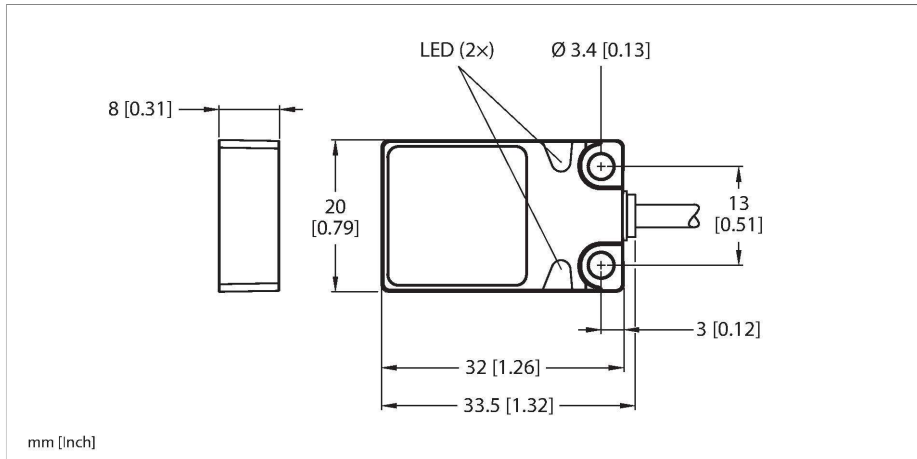


BC5-Q08-AN6X2/S250

Capacitive Sensor



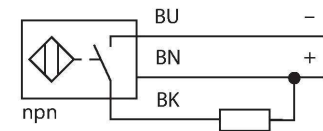
Technical data

| | |
|---|---|
| Type | BC5-Q08-AN6X2/S250 |
| ID | 26201 |
| Rated switching distance (flush) | 5 mm |
| Rated switching distance (non-flush) | 5 mm |
| Secured operating distance | $\leq (0.72 \times \text{Sn})$ |
| Hysteresis | 1...20 % |
| Temperature drift | Typical 20 % |
| Repeat accuracy | ≤ 2 % of full scale |
| Ambient temperature | -25...+70 °C |
| Electrical data | |
| Operating voltage | 10...30 VDC |
| Residual ripple | ≤ 10 % U_{ss} |
| DC rated operational current | ≤ 200 mA |
| No-load current | ≤ 15 mA |
| Residual current | ≤ 0.1 mA |
| Switching frequency | 0.1 kHz |
| Oscillation frequency | According to EN 60947-5-2, 8.2.6.2 Table 9: 0.1...2.0 MHz |
| Isolation test voltage | ≤ 0.5 kV |
| Output function | 3-wire, NO contact, NPN |
| Short-circuit protection | yes / Cyclic |
| Voltage drop at I_o | ≤ 1.8 V |
| Wire breakage/Reverse polarity protection | yes / Complete |

Features

- Rectangular, height 8 mm
- Active face on top
- Metal, Zamak, nickel plated
- Fixed settings
- DC 3-wire, 10...30 VDC
- NO contact, NPN output
- Cable connection

Wiring diagram



Functional principle

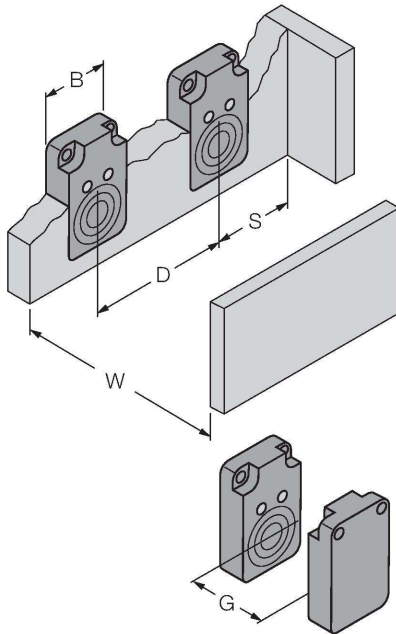
Capacitive proximity switches are designed for non-contact and wear-free detection of electrically conductive as well as non-conductive metal objects.

Technical data

| Tests/approvals | |
|------------------------|--|
| Approvals | UL |
| UL registration number | E210608 |
| Mechanical data | |
| Design | Rectangular, Q08 |
| Dimensions | 32 x 20 x 8 mm |
| Housing material | Metal, Zamak, Nickel Plated |
| Active area material | Plastic, PP, yellow |
| Electrical connection | Cable |
| Cable quality | Ø 3 mm, Lif9Y-11Y, PUR, 2 m |
| Core cross-section | 3 x 0.14 mm ² |
| Vibration resistance | 55 Hz (1 mm) |
| Shock resistance | 30 g (11 ms) |
| Protection class | IP68 |
| MTTF | 1080 years acc. to SN 29500 (Ed. 99) 40 °C |
| Power-on indication | LED, Green |
| Switching state | LED, Yellow |

Mounting instructions

Product features



| | |
|------------------------|---------|
| Distance D | 40 mm |
| Distance W | 15 mm |
| Distance S | 30 mm |
| Distance G | 30 mm |
| Diameter active area B | Ø 15 mm |