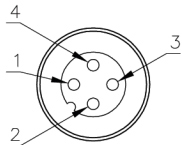
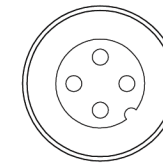
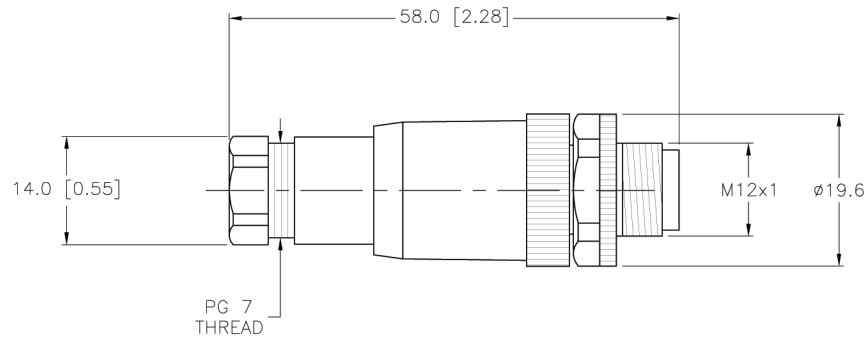


MALE END VIEW



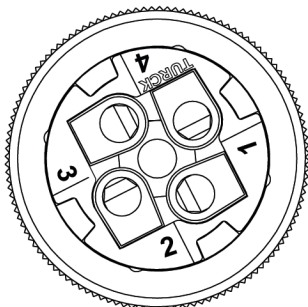
SPECIFICATIONS

HOUSING MATERIAL/PLATING	NYLON/BLACK
CONTACT MATERIAL/PLATING	BRASS/GOLD
COUPLING NUT MATERIAL/PLATING	BRASS/NICKEL
RATED CURRENT [A]	4.0 A
RATED VOLTAGE [V]	250 V
MAXIMUM WIRE SIZE	18 AWG
CABLE GRIP RANGE	4-6mm
TEMPERATURE RATING	-25°C to +85°C (-13°F to +185°F)
PROTECTION CLASS	IEC IP67
TERMINATION TYPE	SCREW TERMINAL



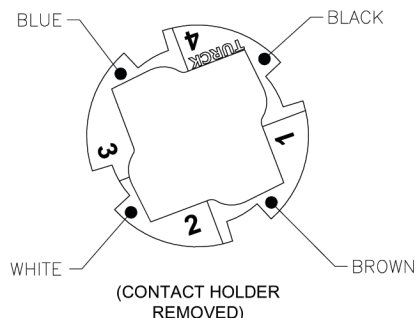
DETAIL "A"

WIRE SIDE VIEW OF CONTACT HOLDER TO SHOW LABEL DETAILS



(SCALE 2:1)

LABEL DETAIL



SOURCE DRAWING - FOR REFERENCE ONLY

RELATED DOCUMENTS		3RD ANGLE PROJECTION		THIS DRAWING IS PROPERTY OF TURCK INC. USE OF THIS DOCUMENT WITHOUT WRITTEN PERMISSION IS PROHIBITED.		<p>High Technology Sensors and Automation Controls</p>	
1. 2. 3. 4.				DRFT RDS			
MATERIAL SEE SPECIFICATIONS		TOLERANCES UNLESS OTHERWISE SPECIFIED		DSGN		SCALE 1=1.0	IDENTIFICATION NO. U2-12532
FINISH SEE SPECIFICATIONS		0.5 TO 6 ±0.1 6 TO 30 ±0.2 30 TO 200 ±0.3 OVER 200 ±0.4 ANGLES ±1° ALL INCH DIMENSIONS ARE REFERENCE ONLY		UNIT OF MEASUREMENT <b>MILLIMETER [ INCH ]</b>		REV A	
A DRAWING RELEASE		GAR 02/22/08		DO NOT SCALE THIS DRAWING		FILE: U2-12532	
REV	DESCRIPTION	BY	DATE	ECO NO.	SHEET 1 OF 1		