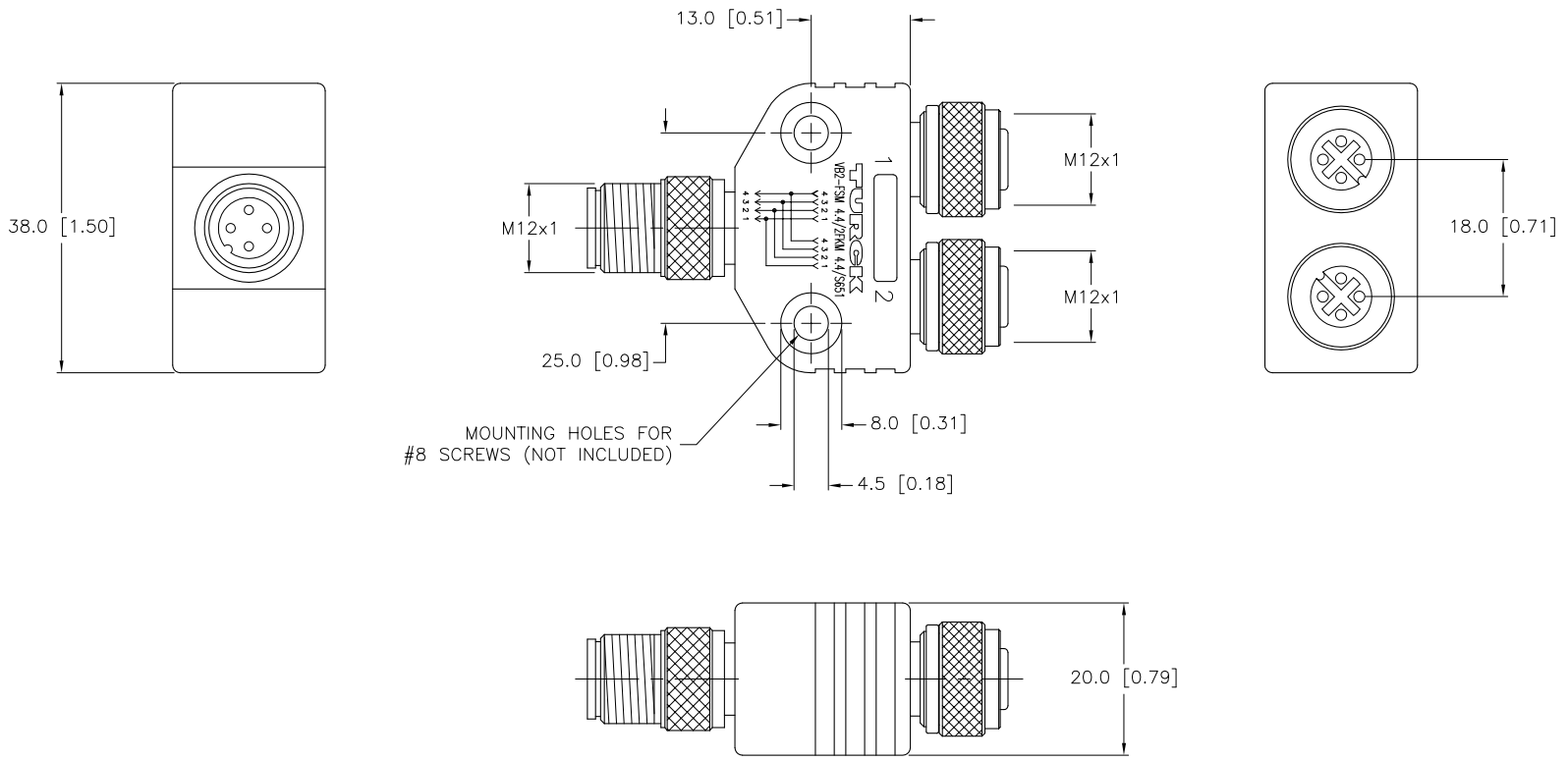


FEMALE END VIEW	MALE END VIEW	WIRING DIAGRAM	SPECIFICATIONS	
			CONTACT CARRIER MATERIAL	NYLON OR TPU
			MOLDED HEAD MATERIAL/COLOR	TPU/YELLOW
			CONTACT MATERIAL/PLATING	BRASS/GOLD
			COUPLING NUT MATERIAL/PLATING	BRASS/NICKEL
			RATED CURRENT [A]	4.0 A
			RATED VOLTAGE [V]	250 V
			TEMPERATURE RATING	-40°C to +105°C (-40°F to +221°F)
			PROTECTION CLASS	MEETS NEMA 1,3,4,6P AND IEC IP68



SOURCE DRAWING - FOR REFERENCE ONLY

NOTES:  
1. "/S651" DESIGNATES PARALLEL WIRED.

RELATED DOCUMENTS		3RD ANGLE PROJECTION		THIS DRAWING IS CONFIDENTIAL AND THE PROPERTY OF TURCK INC. USE OF THIS DOCUMENT WITHOUT WRITTEN PERMISSION IS PROHIBITED.		<b>TURCK INC</b> High Technology Sensors and Automation Controls 3000 CAMPUS DRIVE MINNEAPOLIS, MN 55441 1-800-544-7769 (763) 553-7300 (763) 553-0708 fax turck.com	
1. 2. 3. 4.				DRFT	RJP	DATE	07/01/96
MATERIAL		SEE SPECIFICATIONS		DSGN		SCALE	1=1.0
FINISH		SEE SPECIFICATIONS		UNIT OF MEASUREMENT		DESCRIPTION	
				MILLIMETER [ INCH ]		VB2-FSM 4.4/2FKM 4.4/S651	
				CONTACT TURCK FOR MORE INFORMATION		IDENTIFICATION NO.	
				DO NOT SCALE THIS DRAWING		U0098-1	
D		DRAWING PROCESSED AS PART OF ECO 33971		BY		CBM	
REV		DESCRIPTION		DATE		ECO NO.	
				04/07/11		33971	
						REV	
						D	
						FILE: U0098-1	
						SHEET 1 OF 1	