

282137-75
1.0/2.3 Str Crimp Pl for B1694A, 75
Ohm



Product Specifications

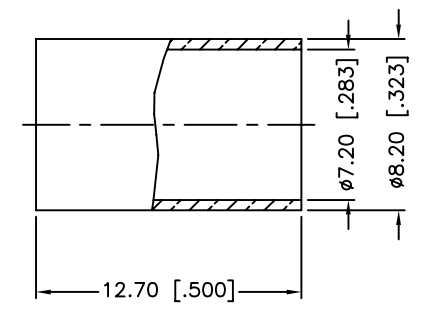
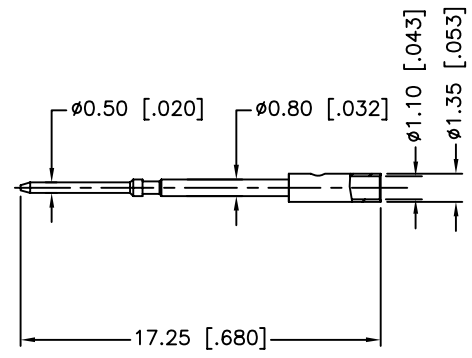
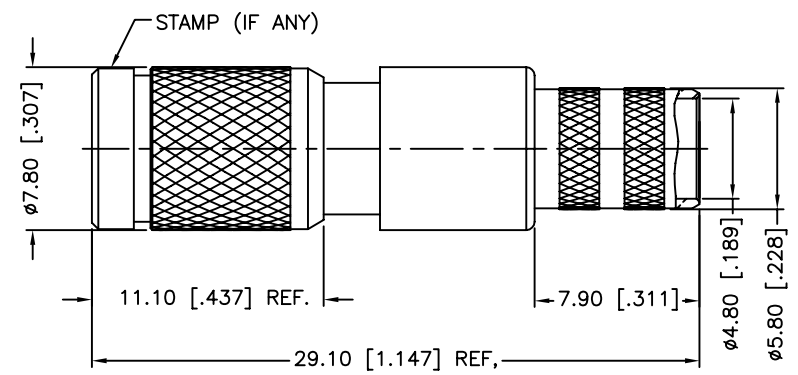
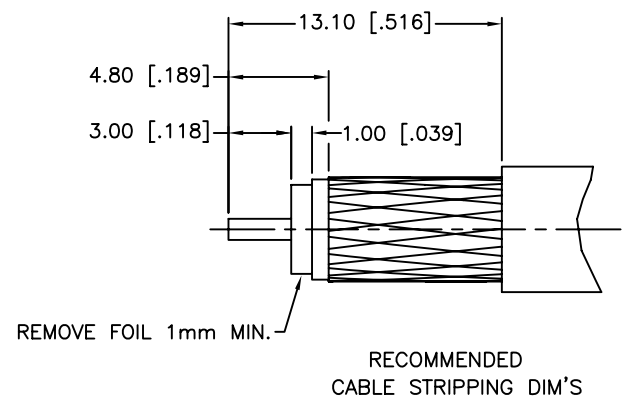
Gender	Plug
Orientation	Straight
Cable Group	08A
Insulator Material	PTFE
Body Material	Brass
Body Finish	Nickel
Contact Material	Beryllium Copper
Contact Finish	Gold
Termination Style	Cable - Crimp
Crimp Tool	N
Impedance	75 Ohm
Contact Termination	Crimp
Coupling Mechanism	Push-Pull
Polarity	Standard
Max Freq (Ghz)	4.0
Ext Dielectric	No
Isolated	No
Low PIM	No
RoHS Compliant	Yes
REACH Compliant	Yes

Environmental Compliance

This item is RoHS Compliant. [Download RoHS Certificate.](#)

For information on environmental compliance, email us at compliance@amphenolconnex.com

REV.	DATE	ECR NO.	DESCRIPTION
NC	09/09/10	XXXXXX	INITIAL RELEASE



1. FREQUENCY RANGE: DC - 3 GHz
2. VSWR (RETURN LOSS): 1.15, MAX.
3. CRIMPED FERRULE
HEX CRIMP SIZE .278"
4. CRIMPED CONTACT PIN
HEX CRIMP SIZE .043"

QTY	DESCRIPTION	MATERIAL	FINISH
1	FERRULE	BRASS	NICKEL
1	CONTACT PIN	BRASS	GOLD
1	BARREL	BRASS	NICKEL
1	OUT CONTACT	BER. COPPER	GOLD
1	INSULATOR	PTFE	NATURAL
1	SPRING	SUS 301H	PASSIVATED
1	BODY	BRASS	NICKEL
1	SHELL	BRASS	NICKEL

UNLESS OTHERWISE SPECIFIED DIMENSIONS ARE IN MILLIMETERS. DIMENSIONS IN [] ARE IN INCHES AND FOR CUSTOMER REFERENCE ONLY.

UNLESS OTHERWISE SPECIFIED TOLERANCES FOR MILLIMETERS ARE:
0.5 - 8mm ± 0.20mm
8 - 30mm ± 0.40mm
30 - 120mm ± 0.50mm

UNLESS OTHERWISE SPECIFIED TOLERANCES FOR INCHES ARE:
.020 - .315 ± 0.007"
.315 - 1.180 ± 0.015"
1.180 - 4.724 ± 0.020"

DO NOT SCALE DRAWING

APPROVALS	DATE
DRAWN M.ZHANG	09/09/10
CHECKED	
ISSUED	
SHEET 1 OF 1	
CAD FILE C:/CONNEX/282137-75.DWG	

Amphenol Connex

PART DESCRIPTION
**1.0/2.3 PUSH-PULL CRIMP PLUG
(FOR BELDEN 1694A CABLE)**

PART NO.
282137-75

DWG. NO. 282137-75.DWG	REV. NC	SIZE A	SCALE NA
------------------------	---------	--------	----------