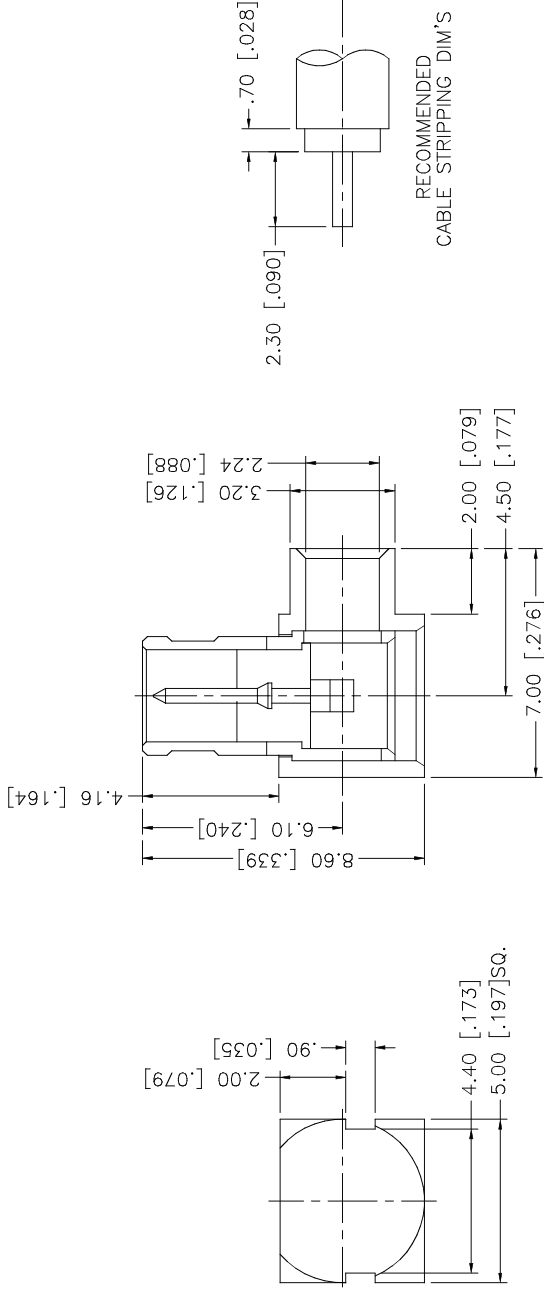
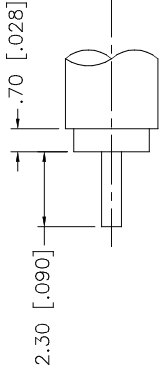


REV.	DATE	DESCRIPTION
A	03/12/03	UPDATE DRAWING FORMAT



RECOMMENDED
CABLE STRIPPING DIM'S



NOTE:

- CONTACT PIN TO SOLDER

REV.	DATE	DESCRIPTION
A	03/12/03	UPDATE DRAWING FORMAT
Amphenol Connex		
PART DESCRIPTION MCX R/A DIRECT SOLDER PLUG (FOR .085", .086" CABLE)		
PART NO. 252109-75		
DWG. NO. 252109-75.DWG		
REV. A		
SIZE A		
SCALE NA		
DO NOT SCALE DRAWING		
UNLESS OTHERWISE SPECIFIED DIMENSIONS ARE IN MILLIMETERS. DIMENSIONS IN [] ARE IN INCHES AND FOR CUSTOMER REFERENCE ONLY.	APPROVALS	DATE
UNLESS OTHERWISE SPECIFIED TOLERANCES FOR MILLIMETERS ARE:	DRAWN G.R.S.	03/12/03
0.5 - 8mm ± 0.20mm	CHECKED	
8 - 30mm ± 0.40mm	ISSUED	
30 - 120mm ± 0.50mm	SHEET 1 OF 1	
UNLESS OTHERWISE SPECIFIED TOLERANCES FOR INCHES ARE:	CAD FILE C:/252/252109-75.DWG	
.020 - .315 = ± 0.007"		
.315 - 1.180 = ± 0.015"		
1.180 - 4.724 = ± 0.020"		
DESCRIPTION	MATERIAL	FINISH
COVER	BRASS	GOLD
INSULATOR	DEL'RIN	NATURAL
CONTACT PIN	BRASS	GOLD
INSULATOR	TEFLON	NATURAL
BODY	BER. COPPER	GOLD
HOUSING	BRASS	GOLD
QTY		