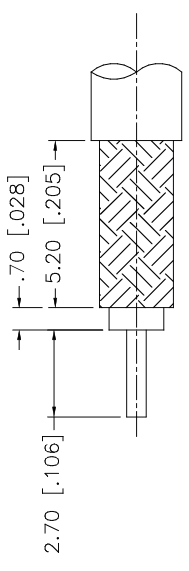
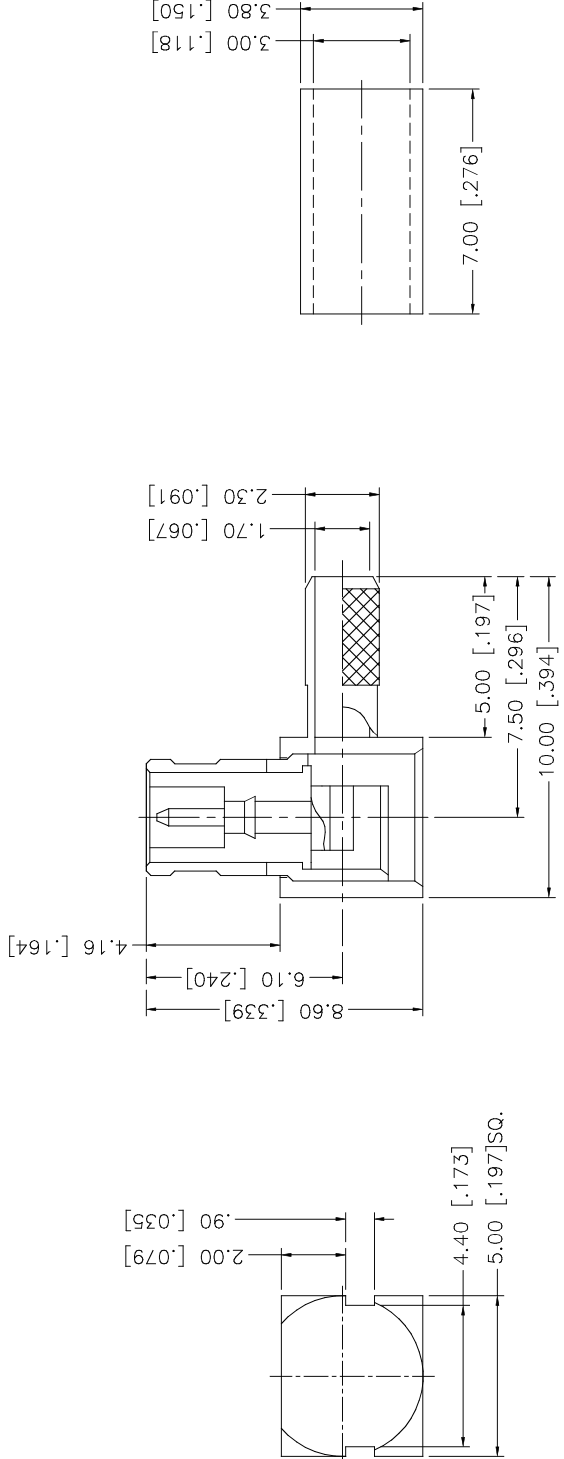


REV.		DATE	DESCRIPTION
A		01/30/04	UPDATE DRAWING FORMAT



RECOMMENDED
CABLE STRIPPING DIM'S

NOTE:

1. CRIMPED FERRULE
HEX CRIMP SIZE .128"
2. CONTACT PIN TO SOLDER

8											
7	FERRULE	COPPER	GOLD	1							
6	COVER	BRASS	GOLD	1							
5	INSULATOR	DELIN	NATURAL	1							
4	CONTACT PIN	BRASS	GOLD	1							
3	INSULATOR	TEFLON	NATURAL	1							
2	BODY	BER. COPPER	GOLD	1							
1	DESCRIPTION	MATERIAL	FINISH	QTY							
				UNLESS OTHERWISE SPECIFIED DIMENSIONS ARE IN MILLIMETERS. DIMENSIONS IN [] ARE IN INCHES AND FOR CUSTOMER REFERENCE ONLY.		APPROVALS		DATE			
				UNLESS OTHERWISE SPECIFIED TOLERANCES FOR MILLIMETERS ARE:		DRAWN G.R.S.		01/30/04			
				0.5 - 8mm ± 0.20mm		CHECKED					
				8 - 30mm ± 0.40mm		ISSUED					
				30 - 120mm ± 0.50mm		SHEET		1 OF 1			
				UNLESS OTHERWISE SPECIFIED TOLERANCES FOR INCHES ARE:		CAD FILE		C:/252/252102-75.DWG			
				.020 - .315 ± 0.007"							
				.315 - 1.180 ± 0.015"							
				1.180 - 4.724 ± 0.020"							
				DO NOT SCALE DRAWING							
								REV. A		SCALE NA	
								DWG. NO. 252102-75.DWG		SIZE A	
								PART NO. 252102-75			
								PART DESCRIPTION			
								MCX R/A CRIMP PLUG (FOR RG-179/U, 187A/U CABLE)			
								Amphenol Connex			