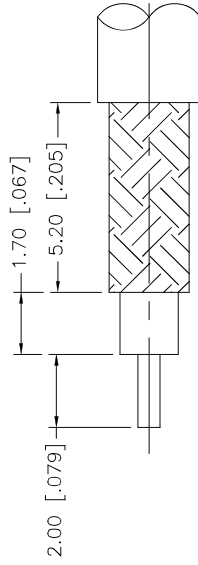
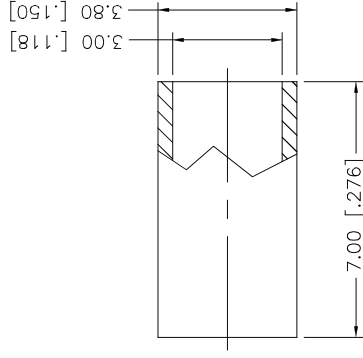
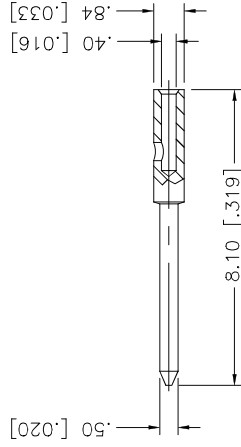
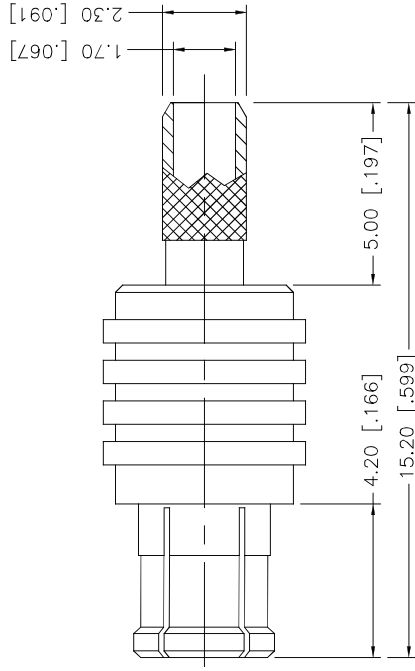


REV.	DATE	ECR NO.	DESCRIPTION
NC	08/13/07	-	INITIAL RELEASE
A	03/24/09	-	UPDATE BARREL, CONTACT PIN, FERRULE DIMENSIONS



RECOMMENDED CABLE STRIPPING DIMENSIONS



NOTE:

1. CRIMPED FERRULE HEX CRIMP SIZE .128" [3.25]
2. CONTACT PIN TO SOLDER.

8				APPROVALS	DATE	<h1 style="color: blue;">Amphenol Connex</h1> <p>MCX CRIMP PLUG (FOR RG-179A/U, 179B/U, 187A/U)</p>	<p>PART DESCRIPTION</p> <p>252101-75</p> <p>PART NO.</p>	REV. A	SIZE A	SCALE NA	
7			DRAWN GRS	03/24/09	DWG. NO.			252101-75.DWG			
6			CHECKED		CAD FILE			C:/252/252101-75.DWG			
5	FERRULE	COPPER	GOLD	1	<p>UNLESS OTHERWISE SPECIFIED DIMENSIONS ARE IN MILLIMETERS. DIMENSIONS IN [] ARE IN INCHES AND FOR CUSTOMER REFERENCE ONLY.</p> <p>UNLESS OTHERWISE SPECIFIED TOLERANCES FOR MILLIMETERS ARE:</p> <p>0.5 - 8mm ± 0.20mm</p> <p>8 - 30mm ± 0.40mm</p> <p>30 - 120mm ± 0.50mm</p> <p>UNLESS OTHERWISE SPECIFIED TOLERANCES FOR INCHES ARE:</p> <p>.020 - .315 = ± 0.007"</p> <p>.315 - 1.180 = ± 0.015"</p> <p>1.180 - 4.724 = ± 0.020"</p>						
4	CONTACT PIN	BRASS	GOLD	1							
3	INSULATOR	PTFE	NATURAL	1							
2	BODY	BER. COPPER	GOLD	1							
1	HOUSING	BRASS	GOLD	1							
	DESCRIPTION	MATERIAL	FINISH	QTY	DO NOT SCALE DRAWING						