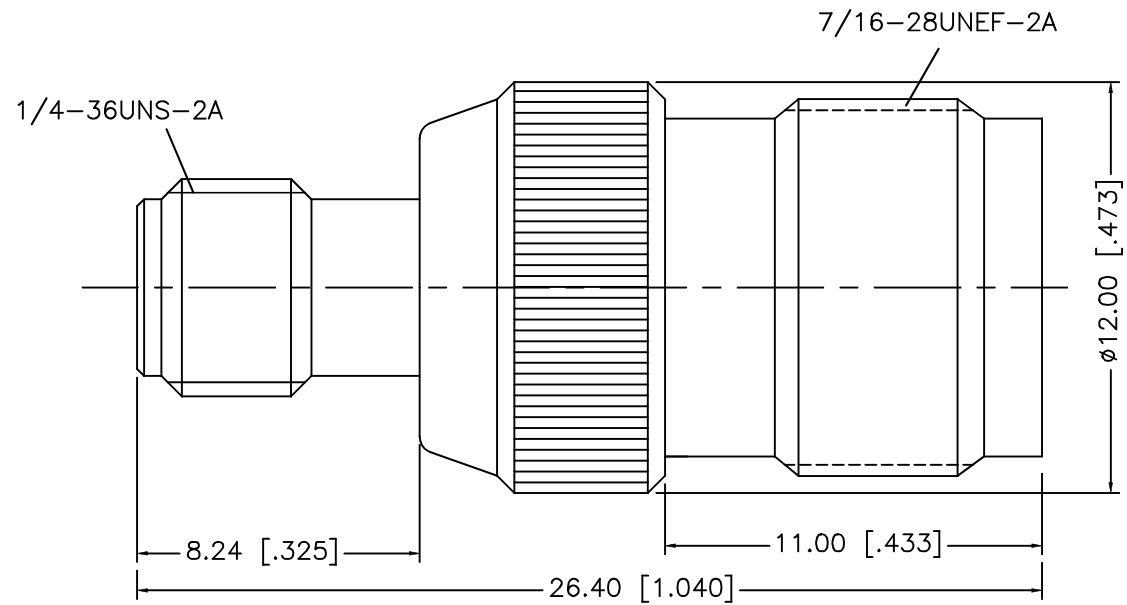


REV.	DATE	DESCRIPTION
NC	09/22/02	INITIAL RELEASE



8				UNLESS OTHERWISE SPECIFIED DIMENSIONS ARE IN MILLIMETERS	APPROVALS	DATE	Amphenol - Connex CONNECTOR CORPORATION								
7			DIMENSIONS IN [] ARE IN INCHES FOR CUSTOMER REFERENCE ONLY		DRAWN	G.R.S.					09/22/02	TITLE SMA JACK TO REVERSE POLARITY TNC JACK ADAPTER			
6					CHECKED			SIZE FSCM NO. DWG. NO. REV. A 99001 242107RP.DWG NC							
5					ISSUED										
4	CONTACT PIN	PHOS. BRONZE	GOLD	UNLESS OTHERWISE SPECIFIED TOLERANCES FOR INCHES ARE: .XXX = ± 0.005" .XX = ± 0.010" .X = ± 0.020" DO NOT SCALE DRAWING											
3	INSULATOR	TEFLON	NATURAL												
2	BODY	BRASS	GOLD												
1	HOUSING	BRASS	GOLD												
	DESCRIPTION	MATERIAL	FINISH												

Amphenol Connex

Adapters

Amphenol Connex
5069 Maureen Lane, Unit B
Moorpark, CA 93021 USA

FEATURES & BENEFITS:

High Quality
Wide Selection
Low Cost

APPLICATIONS:

Instrumentation
Military-Aerospace
Broadband
RFID
Telecommunication

800.942.6639

www.amphenolconnex.com

New

7/16 & N Adapter Kit
P/N 312100 • Call for Details

QUALITY COAXIAL ADAPTERS

Amphenol Connex

Coaxial Adapters

		MMCX		MCX		SMA		SMB		SMC		Mini-UHF		F		BNC		TNC		UHF		N		7/16		U.FL		
		Plug	Jack	Plug	Jack	Plug	Jack	Plug	Jack	Plug	Jack	Plug	Jack	Plug	Jack	Plug	Jack	Plug	Jack	Plug	Jack	Plug	Jack	Plug	Jack	Jack		
MMCX	Plug	262132				242142	242141																242169	242167				
	Jack	262136	262129			242140	242142																242166	242168		242225		
	Bulkhead Jack		262130																									
MCX	Plug				252169	242128	242127																242173	242171				
	Jack				252171	242126	242129																242170	242172				
SMA	Plug	242142	242140	242128	242126	132168 132339 R/A	132171	242146	242144	242177	242174	242118	242116			242104	242102	242106	242124	242110	242108	242114	242112			242212		
	Jack	242141	242143	242127	242129	132171 132172 R/A	132169 132274 R/A	242145	242147	242175	242176	242117	242119			242103	242123	242105	242107	242109	242111	242113	242115					
	Bulkhead Jack	242193					132170 132170-10		242182								242227									272188		
SMB	Plug					242146	242145	142246	142310																			
	Jack					242144	242147	142310	142244																			
SMC	Bulkhead Jack																											
	Plug					242177	242175																					
	Jack					242174	242176			252141																		
Mini-UHF	Plug					242118	242117														242153							
	Jack					242116	242119																					
F	Plug													222156	222157 Push-on 222122 R/A								242157	242152				
	Jack							242223	242224					22157 Push-on 222122 R/A		242154	242161						242156 242158 R/A	242120				
	Bulkhead Jack														222121													
BNC	Plug			242205	242203	242104	242103	242187	242184							242160	242154	112447 50Ω 112448 75Ω 112655 50Ω R/A	112667 50Ω 112668 75Ω	242151	242148	242139	242134	242122	242101			
	Jack			242204	242206	242102	242123	242185	242186							242159	242161	112451 50Ω 112452 75Ω	112445 50Ω 12446 75Ω	242149	242150	242164 242232 R/A	242165	242121	242100			
	Bulkhead Jack																									242162		
	Panel Jack																											
TNC	Plug			242210	242208	242106	242105										242197			242151	242149	122350 50Ω 122351 75Ω	122352 50Ω R/A 122353 75Ω R/A		242133	242131		
	Jack			242209		242124	242107													242148	242150	122352 50Ω R/A 122353 75Ω R/A	122348 50Ω 122349 75Ω		242130	242132		
	Bulkhead Jack						242178																122342 50Ω 122343 75Ω				242192	
UHF	Plug					242110	242109													242139	242164							
	Jack					242108	242111													242134	242165							
N	Bulkhead Jack																									242216		
	Plug	242169	242166	242173	242170	242114	242113																	242155	172122 172261 R/A	172276 172126 R/A	242138	242135
	Jack	242167	242168	242171	242172	242112	242115																		172276 172126 R/A	172123	242136	242137
7/16	Bulkhead Jack							242183																				
	Plug																											
	Jack																											
1.0/2.3	Plug																									242217		
	Jack																									242218		
1.0/2.3	Bulkhead Jack																											
	Bulkhead Jack																											



Standard RF Connectors

- BNC
- SMA
- N Type
- MMCX
- MCX and many more...



RF Cable Assemblies

- Standard Flexible Cables
- Semi-Rigid Cables
- Corrugated Cables

Amphenol Connex
800.942.6639
www.amphenolconnex.com

Reverse Polarity and Reverse Threaded options available

Need an adapter that's not listed? Contact us toll-free.