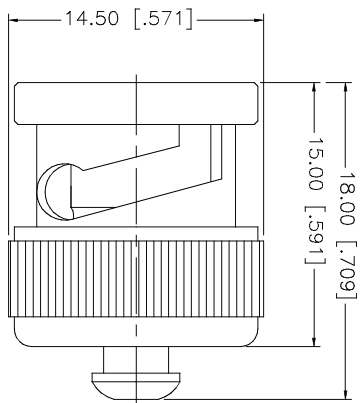


REV.	DATE	DESCRIPTION
NC	01/30/04	INITIAL RELEASE



QTY	FINISH	MATERIAL	DESCRIPTION
1	NICKEL	BRASS	RIVET
1	RED	SILICONE	GASKET
1	NICKEL	BRASS	SHELL/BODY
			DESCRIPTION

UNLESS OTHERWISE SPECIFIED DIMENSIONS ARE IN MILLIMETERS. DIMENSIONS IN [ ] ARE IN INCHES AND FOR CUSTOMER REFERENCE ONLY.	
TOLERANCES FOR MILLIMETERS ARE:	
0.5 - 8mm	± 0.20mm
8 - 30mm	± 0.40mm
30 - 120mm	± 0.50mm
TOLERANCES FOR INCHES ARE:	
.020 - .315	± 0.007"
.315 - 1.180	± 0.015"
1.180 - 4.724	± 0.020"
DO NOT SCALE DRAWING	

APPROVALS	DATE
DRAWN G.R.S.	01/30/04
CHECKED	
ISSUED	
SHEET 1 OF 1	

CAD FILE C:/202/202100-10.DWG	DWG. NO. 202100-10.DWG	REV. NC	SIZE A	SCALE NA
-------------------------------	------------------------	---------	--------	----------

<p><b>Amphenol Connex</b></p> <p>PART DESCRIPTION</p> <p>BNC MALE CAP</p> <p>PART NO. 202100-10</p>	
---	--