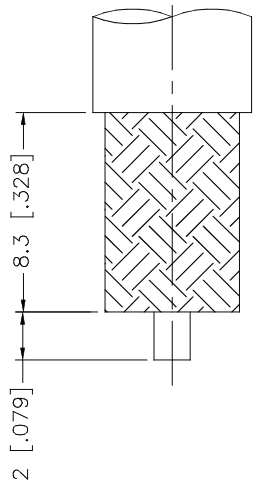
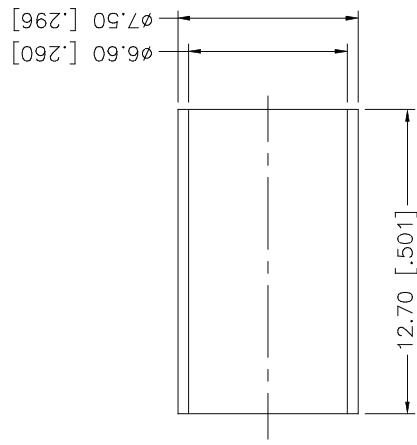
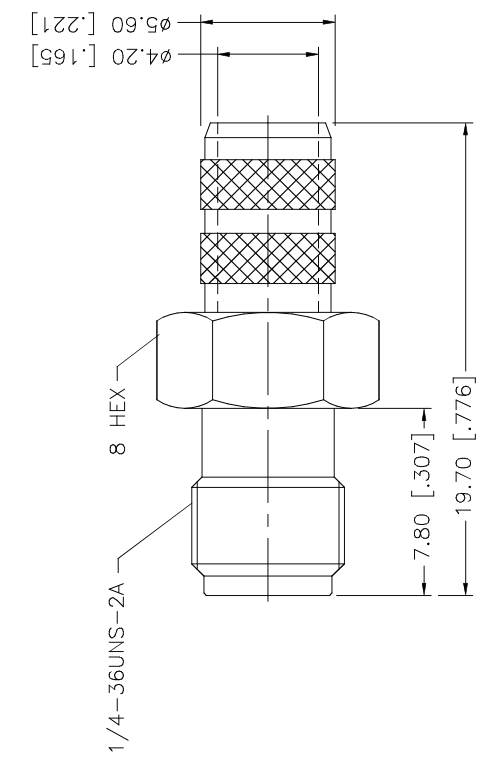


REV.	DATE	DESCRIPTION
NC	01/08/07	INITIAL RELEASE



RECOMMENDED  
CABLE STRIPPING DIM'S



NOTE:

1. CRIMPED FERRULE HEX CRIMP SIZE .255.
2. CONTACT PIN TO SOLDER.

8				APPROVALS	DATE	<h1 style="color: blue;">Amphenol Connex</h1>
7				G.R.S.	01/08/07	
6				CHECKED		<b>SMA REVERSE POLARITY CRIMP JACK (FOR RG-8/X, LMR240)</b>
5				ISSUED		
4	FERRULE	COPPER	GOLD	1	OF 1	
3	CONTACT PIN	BER. COPPER	GOLD			
2	INSULATOR	TEFLON	NATURAL			<b>132240RP</b>
1	BODY	BRASS	GOLD			
	DESCRIPTION	MATERIAL	FINISH	QTY		
<small>UNLESS OTHERWISE SPECIFIED DIMENSIONS ARE IN MILLIMETERS. DIMENSIONS IN [ ] ARE IN INCHES AND FOR CUSTOMER REFERENCE ONLY.</small> <small>UNLESS OTHERWISE SPECIFIED TOLERANCES FOR MILLIMETERS ARE:</small> 0.5 - 8mm ± 0.20mm 8 - 30mm ± 0.40mm 30 - 120mm ± 0.50mm <small>UNLESS OTHERWISE SPECIFIED TOLERANCES FOR INCHES ARE:</small> .020 - .315 = ± 0.007" .315 - 1.180 = ± 0.015" 1.180 - 4.724 = ± 0.020"						
<small>DO NOT SCALE DRAWING</small>						
CAD FILE C:/132/132240RP.DWG						
DWG. NO. 132240RP.DWG						
REV. NC						
SIZE A						
SCALE NA						