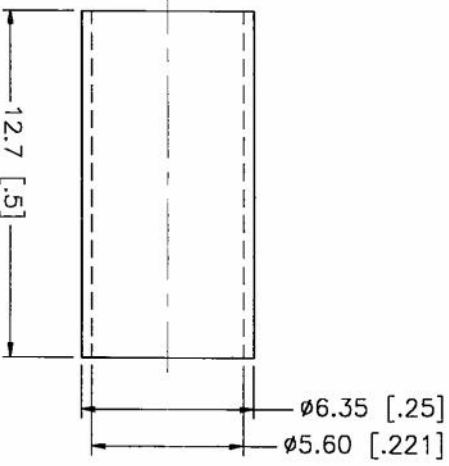
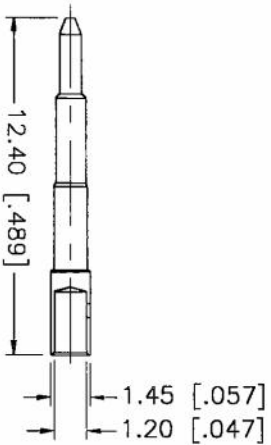
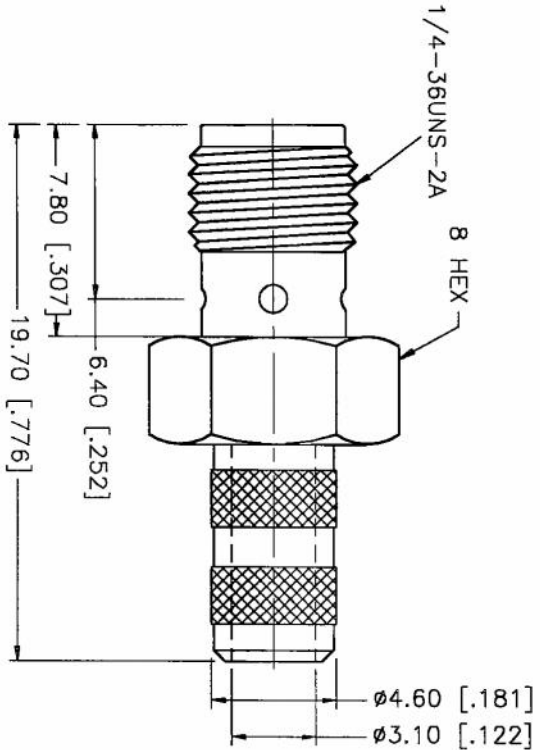
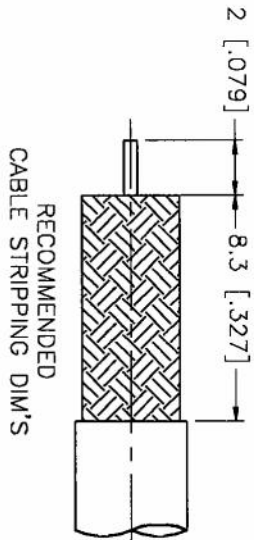


REV.	DATE	DESCRIPTION
NC	07/11/00	INITIAL RELEASE



*Damp Ferrule
Hex CR Size .213*

DESCRIPTION	MATERIAL	FINISH	UNLESS OTHERWISE SPECIFIED DIMENSIONS ARE IN MILLIMETERS FOR CUSTOMER REFERENCE ONLY	APPROVALS	DATE	TITLE	SCALE	PART NO.	SHEET	REV.
1 BODY	BRASS	GOLD	UNLESS OTHERWISE SPECIFIED DIMENSIONS ARE IN MILLIMETERS FOR CUSTOMER REFERENCE ONLY UNLESS OTHERWISE SPECIFIED TOLERANCES FOR MILLIMETERS ARE: 0.5-6 = ± 0.2 6-30 = ± 0.4 30-120 = ± 0.6 120-315 = ± 1 315-1000 = ± 1.6 1000-2000 = ± 2.4	DRAWN	G.R.S.	07/11/00	SMA REVERSE POLARIZED CRIMP JACK (FOR TIMES LMR-200)	NA	132236RP	1 OF 1
2 INSULATOR	TEFLON	NATURAL		CHECKED						
3 CONTACT PIN	BRASS	GOLD		ISSUED						
4 FERRULE	COPPER	GOLD								
5										
6										
7										
8										



132236RP.DWG