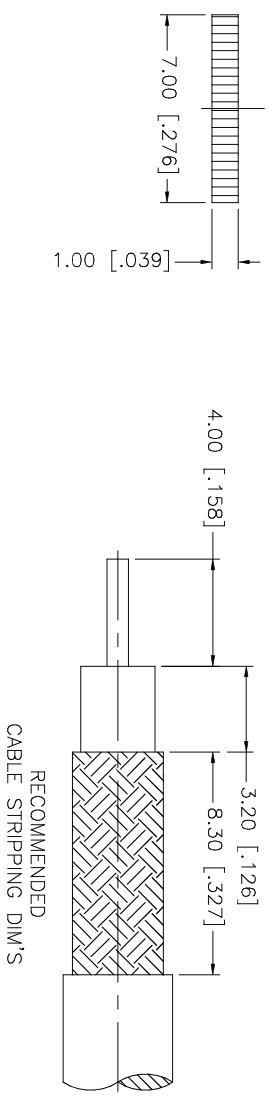
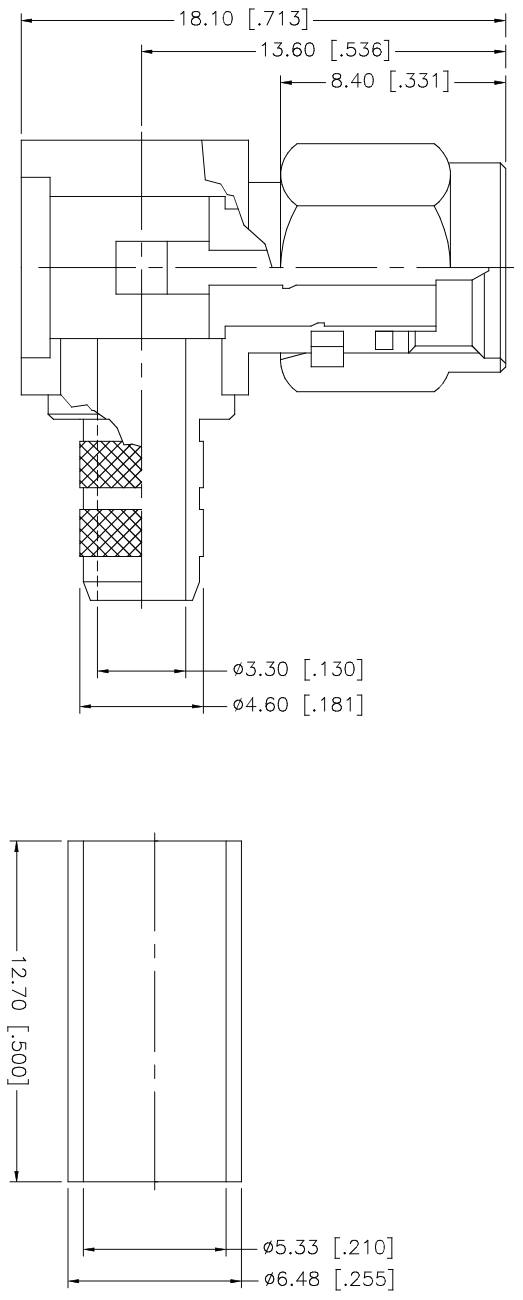


REV.	DATE	DESCRIPTION
NC	08/01/05	INITIAL RELEASE



QTY	FINISH	MATERIAL	DESCRIPTION
1	GOLD	COPPER	FERRULE
1	GOLD	BRASS	COVER
1	GOLD	BER. COPPER	CONTACT PIN
1	NATURAL	TEFLON	INSULATOR
1	GOLD	BRASS	BODY
			DESCRIPTION

APPROVALS	DATE	PART DESCRIPTION
DRAWN G.R.S.	08/01/05	<b>Amphenol Connex</b> SMA REVERSE POLARITY R/A CRIMP PLUG - LMR200 132235RP
CHECKED		
ISSUED		

DO NOT SCALE DRAWING	CAD FILE	DWG. NO.	REV.	NC	SIZE	SCALE
	C:/132/132235RP.DWG	132235RP.DWG			A	NA

UNLESS OTHERWISE SPECIFIED DIMENSIONS ARE IN MILLIMETERS. DIMENSIONS IN [ ] ARE IN INCHES AND FOR CUSTOMER REFERENCE ONLY.

UNLESS OTHERWISE SPECIFIED TOLERANCES FOR MILLIMETERS ARE:

0.5 - 8mm ± 0.20mm  
 8 - 30mm ± 0.40mm  
 30 - 120mm ± 0.50mm

UNLESS OTHERWISE SPECIFIED TOLERANCES FOR INCHES ARE:

.020 - .315 = ± 0.007"  
 .315 - 1.180 = ± 0.015"  
 1.180 - 4.724 = ± 0.020"