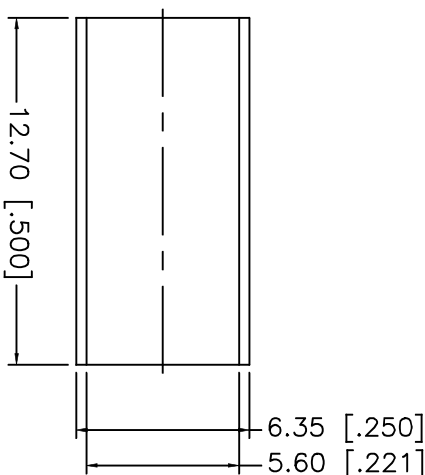
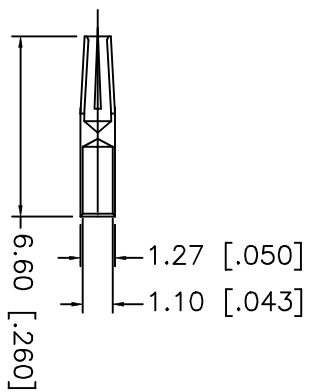
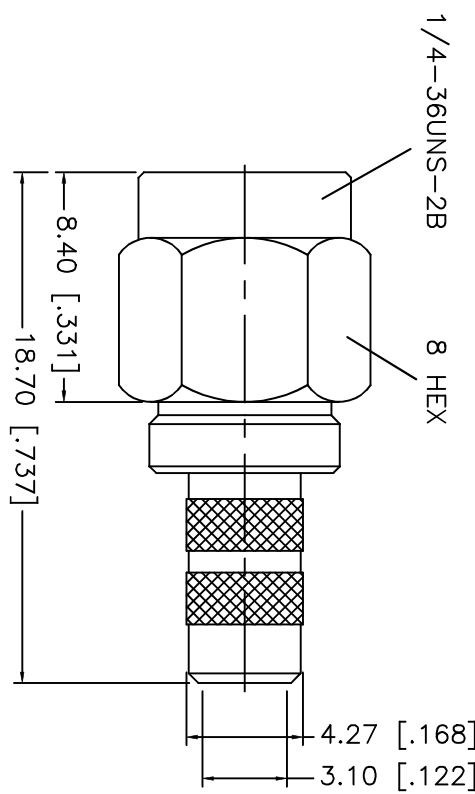
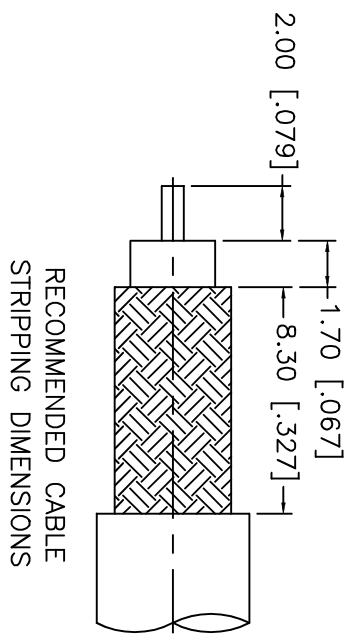


REV.	DATE	DESCRIPTION
NC	01/26/01	UPDATE TITLE BLOCK



- CRIMP NOTES:
1. CRIMPED FERRULE
HEX CRIMP SIZE .213"
 2. SOLDER CENTER CONTACT

8	UNLESS OTHERWISE SPECIFIED DIMENSIONS ARE IN MILLIMETERS	APPROVALS	DATE	TITLE	SCALE	PART NO.	SHEET
7	DIMENSIONS IN [] ARE IN INCHES FOR CUSTOMER REFERENCE ONLY <td rowspan="2">G.R.S.</td> <td rowspan="2">01/26/01</td> <td rowspan="2">SMA REVERSE POLARITY CRIMP PLUG (FOR RG-55/U, 142A/U, 223/U, 400/U)</td> <td rowspan="2">A</td> <td rowspan="2">99001</td> <td rowspan="2">1 OF 1</td>	G.R.S.	01/26/01	SMA REVERSE POLARITY CRIMP PLUG (FOR RG-55/U, 142A/U, 223/U, 400/U)	A	99001	1 OF 1
6	UNLESS OTHERWISE SPECIFIED TOLERANCES FOR INCHES ARE: .XXX = ± 0.005" .XX = ± 0.010" .X = ± 0.020"						
5		CHECKED					
4	FERRULE COPPER	ISSUED					
3	CONTACT PIN BER. COPPER						
2	INSULATOR TEFLON						
1	BODY BRASS						
	DESCRIPTION MATERIAL FINISH						

Amphenol - Connex
CONNECTOR CORPORATION

132195RP.DWG