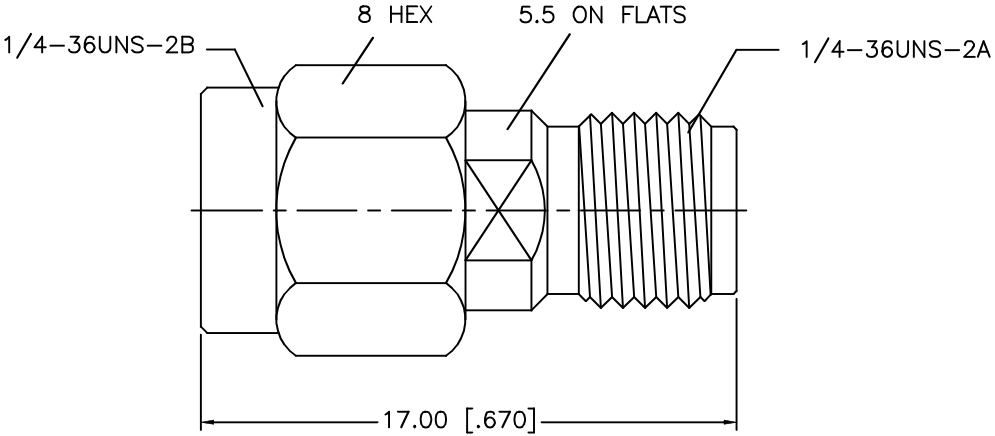


REV.	DATE	DESCRIPTION
NC	09/22/02	INITIAL RELEASE



8				UNLESS OTHERWISE SPECIFIED DIMENSIONS ARE IN MILLIMETERS	APPROVALS	DATE	<h1 style="text-align: center;">Amphenol - Connex</h1> <p style="text-align: center;">CONNECTOR CORPORATION</p>						
7											DRAWN	G.R.S.	09/22/02
6							CHECKED			TITLE SMA PLUG TO REVERSE POLARIZED SMA JACK ADAPTOR			
5	GASKET	SILICONE	RED				ISSUED						
4	RETAINER RING	BER. COPPER	GOLD	UNLESS OTHERWISE SPECIFIED TOLERANCES FOR INCHES ARE: .XXX = ± 0.005" .XX = ± 0.010" .X = ± 0.020"	DO NOT SCALE DRAWING		SIZE	FSCM NO.	DWG. NO.	REV.			
3	CONTACT PIN	BRASS	GOLD				A	99001	132171RP.DWG	NC			
2	INSULATOR	TEFLON	NATURAL				SCALE	NA	PART NO.	132171RP	SHEET	1 OF 1	
1	BODY	BRASS	GOLD										
	DESCRIPTION	MATERIAL	FINISH										

Amphenol Connex

Adapters

Amphenol Connex
5069 Maureen Lane, Unit B
Moorpark, CA 93021 USA

FEATURES & BENEFITS:

High Quality
Wide Selection
Low Cost

APPLICATIONS:

Instrumentation
Military-Aerospace
Broadband
RFID
Telecommunication

800.942.6639

www.amphenolconnex.com

New

7/16 & N Adapter Kit
P/N 312100 • Call for Details

QUALITY COAXIAL ADAPTERS

Amphenol Connex

Coaxial Adapters

		MMCX		MCX		SMA		SMB		SMC		Mini-UHF		F		BNC		TNC		UHF		N		7/16		U.FL
		Plug	Jack	Plug	Jack	Plug	Jack	Plug	Jack	Plug	Jack	Plug	Jack	Plug	Jack	Plug	Jack	Plug	Jack	Plug	Jack	Plug	Jack	Plug	Jack	Jack
MMCX	Plug	262132				242142	242141																242169	242167		
	Jack	262136	262129			242140	242142																242166	242168		242225
	Bulkhead Jack		262130																							
MCX	Plug				252169	242128	242127																242173	242171		
	Jack				252171	242126	242129																242170	242172		
SMA	Plug	242142	242140	242128	242126	132168 132339 R/A	132171	242146	242144	242177	242174	242118	242116		242104	242102	242106	242124	242110	242108		242114	242112			242212
	Jack	242141	242143	242127	242129	132171 132172 R/A	132169 132274 R/A	242145	242147	242175	242176	242117	242119		242103	242123	242105	242107	242109	242111		242113	242115			
	Bulkhead Jack	242193					132170 132170-10		242182							242227										272188
SMB	Plug					242146	242145	142246	142310																	
	Jack					242144	242147	142310	142244																	
SMC	Bulkhead Jack																									
	Plug					242177	242175																			
	Jack					242174	242176			252141																
Mini-UHF	Plug					242118	242117														242153					
	Jack					242116	242119																			
F	Plug													222156	222157 Push-on 222122 R/A								242157	242152		
	Jack							242223	242224					22157 Push-on 222122 R/A		242154	242161						242156 242158 R/A	242120		
	Bulkhead Jack														222121											
BNC	Plug			242205	242203	242104	242103	242187	242184						242160	242154	112447 50Ω 112448 75Ω 112655 50Ω R/A	112667 50Ω 112668 75Ω	242151	242148	242139	242134	242122	242101		
	Jack			242204	242206	242102	242123	242185	242186						242159	242161	112451 50Ω 112452 75Ω	112445 50Ω 12446 75Ω	242149	242150	242164 242232 R/A	242165	242121	242100		
	Bulkhead Jack																									242162
	Panel Jack																									
TNC	Plug			242210	242208	242106	242105									242197			242151	242149	122350 50Ω 122351 75Ω	122352 50Ω R/A 122353 75Ω R/A		242133	242131	
	Jack			242209		242124	242107												242148	242150	122352 50Ω R/A 122353 75Ω R/A	122348 50Ω 122349 75Ω		242130	242132	
	Bulkhead Jack						242178																			242192
UHF	Plug					242110	242109												242139	242164						
	Jack					242108	242111												242134	242165						
N	Bulkhead Jack																									242216
	Plug	242169	242166	242173	242170	242114	242113								242157	242156 242158 R/A	242122	242121	242133	242130		242155	172122 172261 R/A	172276 172126 R/A	242138	242135
	Jack	242167	242168	242171	242172	242112	242115								242152	242120	242101	242100	242131	242132			172276 172126 R/A	172123	242136	242137
7/16	Bulkhead Jack																									272183
	Plug																									
	Jack																									
1.0/2.3	Bulkhead Jack																									
	Plug																									242217
1.0/2.3	Jack																									242218
	Bulkhead Jack															242229-75 75Ω										



Standard RF Connectors

- BNC
- SMA
- N Type
- MMCX
- MCX and many more...



RF Cable Assemblies

- Standard Flexible Cables
- Semi-Rigid Cables
- Corrugated Cables

Amphenol Connex
800.942.6639
www.amphenolconnex.com

Reverse Polarity and Reverse Threaded options available

Need an adapter that's not listed? Contact us toll-free.