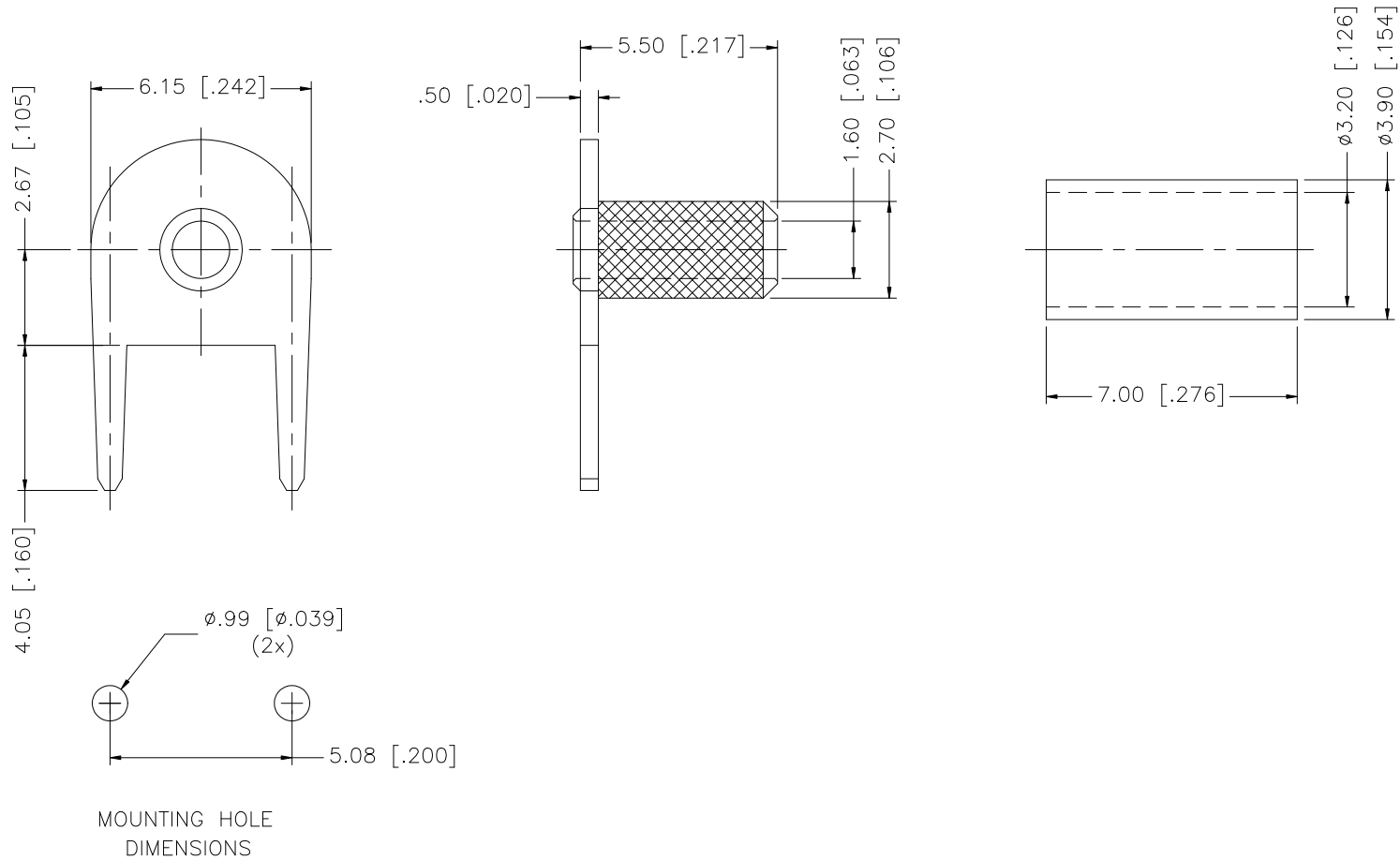


REV.	DATE	ECR NO.	DESCRIPTION
NC	05/02/00	-	INITIAL RELEASE
A	04/30/08	100014	UPDATE DRAWING FORMAT



REV.	DATE	ECR NO.	DESCRIPTION
8			
7			
6			
5			
4			
3	FLANGE	BRASS	NICKEL 1
2	BARREL	BRASS	NICKEL 1
1	PLATE	BRASS	BRT. TIN 1
	DESCRIPTION	MATERIAL	FINISH QTY

UNLESS OTHERWISE SPECIFIED DIMENSIONS ARE IN MILLIMETERS. DIMENSIONS IN [] ARE IN INCHES AND FOR CUSTOMER REFERENCE ONLY.		APPROVALS	DATE	<h1 style="color: blue; text-align: center;">Amphenol Connex</h1> <p style="text-align: center;">PCB COAXIAL TERMINATION (FOR RG-174, 188, 316/U CABLE)</p>
UNLESS OTHERWISE SPECIFIED TOLERANCES FOR MILLIMETERS ARE: 0.5 - 8mm ± 0.20mm 8 - 30mm ± 0.40mm 30 - 120mm ± 0.50mm		DRAWN GRS	04/30/08	
UNLESS OTHERWISE SPECIFIED TOLERANCES FOR INCHES ARE: .020 - .315 = ± 0.007" .315 - 1.180 = ± 0.015" 1.180 - 4.724 = ± 0.020"		CHECKED		
DO NOT SCALE DRAWING		ISSUED		
		SHEET 1 OF 1		
		CAD FILE C:/142/142293.DWG		PART NO. 142293
				DWG. NO. 142293.DWG
				REV. A
				SIZE A
				SCALE NA