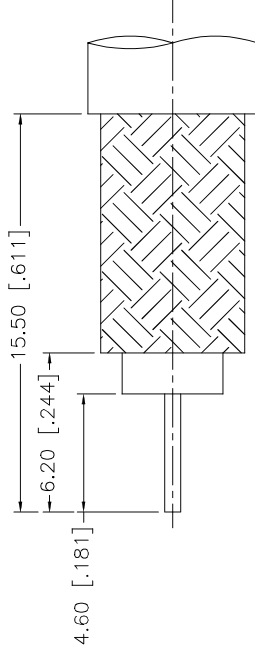
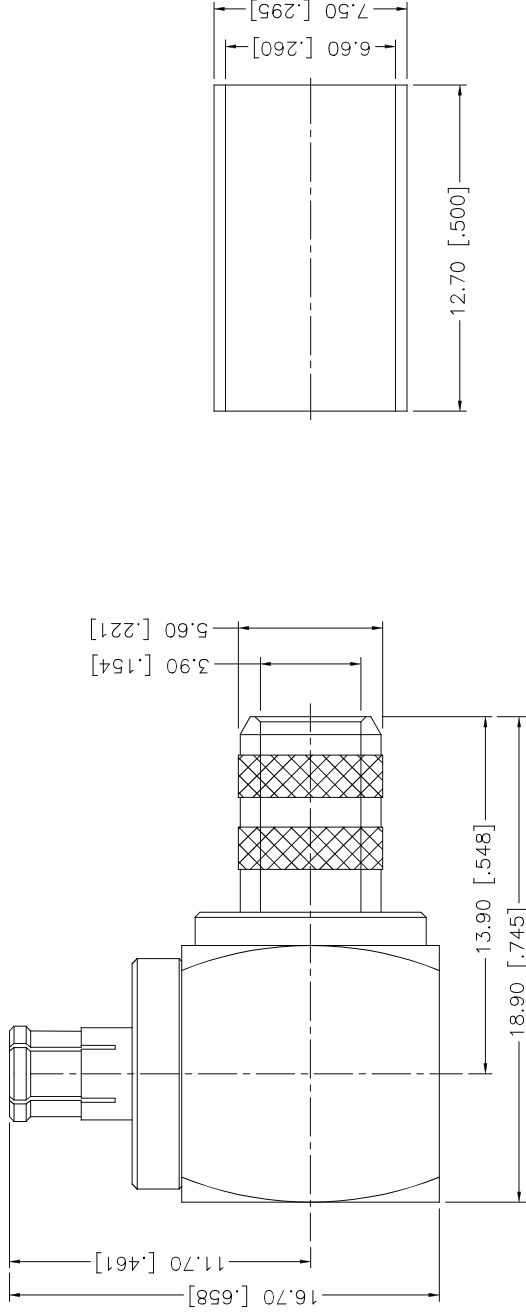
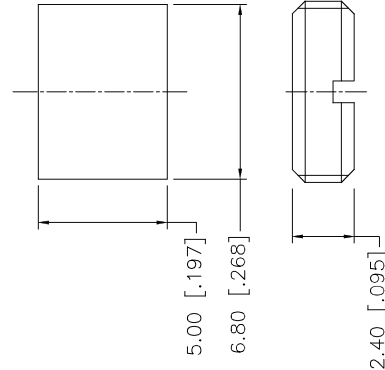


REV.	DATE	DESCRIPTION
NC	09/03/07	INITIAL RELEASE



RECOMMENDED
CABLE STRIPPING DIM'S



NOTE:

1. CRIMPED FERRULE HEX CRIMP SIZE .255"
2. CONTACT PIN TO SOLDER

UNLESS OTHERWISE SPECIFIED DIMENSIONS ARE IN MILLIMETERS. DIMENSIONS IN INCHES ARE FOR CUSTOMER REFERENCE ONLY.		APPROVALS		DATE	
UNLESS OTHERWISE SPECIFIED TOLERANCES FOR MILLIMETERS ARE: 0.5 - 8mm ± 0.20mm 8 - 30mm ± 0.40mm 30 - 120mm ± 0.50mm		DRAWN G.R.S.		09/03/07	
UNLESS OTHERWISE SPECIFIED TOLERANCES FOR INCHES ARE: .020 - .315 = ± 0.007" .315 - 1.180 = ± 0.015" 1.180 - 4.724 = ± 0.020"		CHECKED			
		ISSUED			
		SHEET 1 OF 1			
		CAD FILE C:/252/252195-75.DWG			
DO NOT SCALE DRAWING		PART DESCRIPTION		PART NO.	
8 FERRULE		COPPER		252195-75	
7 COVER		BRASS		252195-75.DWG	
6 INSULATOR		DELTRIN		REV. NC	
5 CONTACT PIN		BRASS		SIZE A	
4 INSULATOR		TEFLON		SCALE NA	
3 BODY		BRASS			
DESCRIPTION		MATERIAL		FINISH	
		COPPER		GOLD	
		BRASS		GOLD	
		DELTRIN		NATURAL	
		BRASS		GOLD	
		TEFLON		NATURAL	
		BRASS		GOLD	

Amphenol Connex

MCX R/A CRIMP PLUG
(FOR RG-59/U CABLE)

252195-75