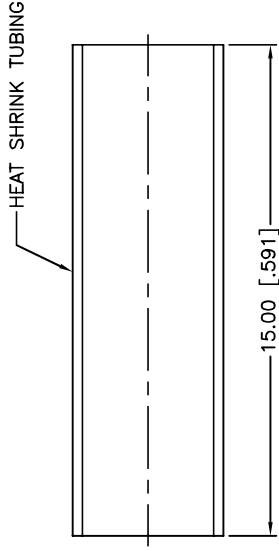
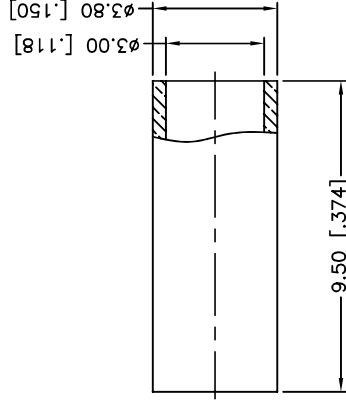
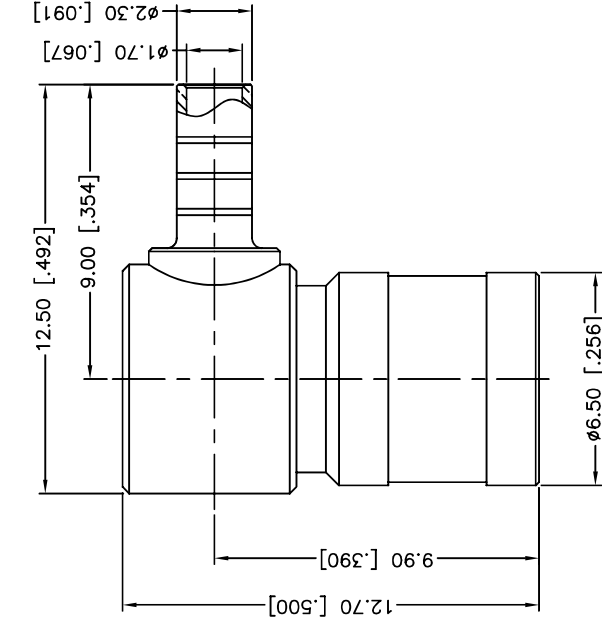


REV.	DATE	ECR NO.	DESCRIPTION
NC	03/25/04	XXXXXX	INITIAL RELEASE
A	03/27/05	XXXXXX	UPDATE PART DIMENSIONS/DRAWING FORMAT
B	12/17/10	2129	CHANGE TITLE BLOCK TO "MINI 75 OHM SMB R/A CRIMP PLUG"



RECOMMENDED
CABLE STRIPPING DIM'S



1. CRIMPED FERRULE
HEX CRIMP SIZE .128"
2. CONTACT PIN TO SOLDER

APPROVALS		DATE	
DRAWN	M.ZHANG	12/17/10	
CHECKED			
ISSUED			
SHEET	1 OF 1		
CAD FILE C:/CONNEX/142194-75.DWG			
UNLESS OTHERWISE SPECIFIED DIMENSIONS ARE IN MILLIMETERS DIMENSIONS IN [] ARE IN INCHES AND FOR CUSTOMER REFERENCE ONLY.			
UNLESS OTHERWISE SPECIFIED TOLERANCES FOR MILLIMETERS ARE:			
0.5 - 8mm ± 0.20mm			
8 - 30mm ± 0.40mm			
30 - 120mm ± 0.50mm			
UNLESS OTHERWISE SPECIFIED TOLERANCES FOR INCHES ARE:			
.020 - .315 = ± 0.0017"			
.315 - 1.180 = ± 0.015"			
1.180 - 4.724 = ± 0.020"			
DO NOT SCALE DRAWING			
DESCRIPTION	MATERIAL	FINISH	QTY
8 HEAT SHRINK TUBING	BRASS	GOLD	1
7 COVER	COPPER	GOLD	1
6 FERRULE	COPPER	GOLD	1
5 CONTACT PIN	BER. COPPER	GOLD	1
4 INSULATOR	PTE	NATURAL	1
3 RETAINER RING	BER. COPPER	NATURAL	1
2 BODY	BRASS	GOLD	1
1 HOUSING	ZINC DIECAST	GOLD	1
PART DESCRIPTION			
MINI 75 OHM SMB R/A CRIMP PLUG (FOR RG-179/U CABLE)			
PART NO.			142194-75
DWG. NO.			142194-75.DWG
REV.			B
SIZE			A
SCALE			NA

Amphenol Connex