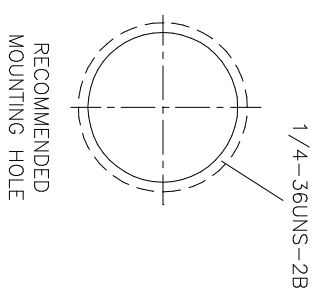
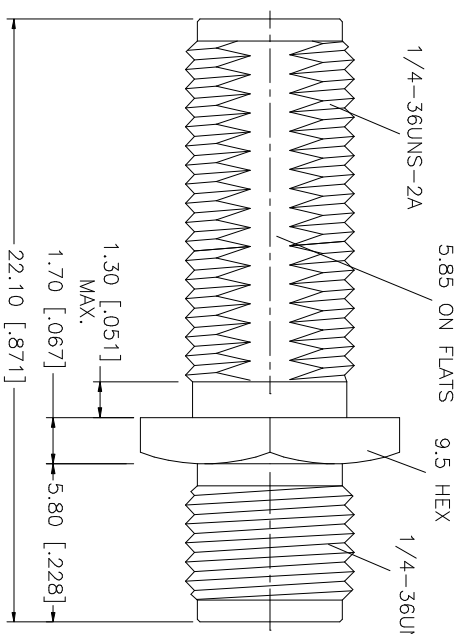
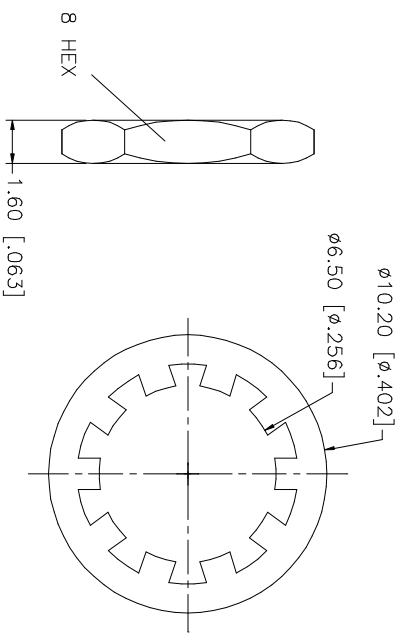
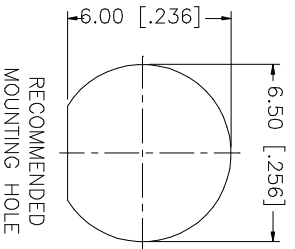


REV.	DATE	DESCRIPTION
C	04/08/01	ADD NOTES AND MOUNTING HOLE
D	04/31/03	UPDATE DRAWING FORMAT



NOTES:
 1. MAX. PANEL THICKNESS = 6.5mm
 MIN. PANEL THICKNESS = 2mm

Amphenol Connex

PART DESCRIPTION
 SMA BULKHEAD FEMALE TO FEMALE ADAPTOR

UNLESS OTHERWISE SPECIFIED DIMENSIONS ARE IN MILLIMETERS DIMENSIONS IN INCHES AND FOR CUSTOMER REFERENCE ONLY.	UNLESS OTHERWISE SPECIFIED TOLERANCES FOR MILLIMETER ARE:	UNLESS OTHERWISE SPECIFIED TOLERANCES FOR INCHES ARE:	APPROVALS	DATE	PART DESCRIPTION
0.5 - 8mm ± 0.20mm	0.5 - 30mm ± 0.40mm	.020 - .315 = ± 0.007"	DRAWN G.R.S.	04/31/03	SMA BULKHEAD FEMALE TO FEMALE ADAPTOR
8 - 120mm ± 0.50mm	30 - 120mm ± 0.50mm	.315 - 1.180 = ± 0.015"	CHECKED		
		1.180 - 4.724 = ± 0.020"	ISSUED		
			SHEET 1 OF 1		
1	HEX NUT	BRASS	GOLD	1	PART NO. 132170
1	LOCK WASHER	BRASS	GOLD		
1	CONTACT PIN	BER. COPPER	GOLD		
1	INSULATOR	TEFLON	NATURAL		
1	BODY	BRASS	GOLD		
	DESCRIPTION	MATERIAL	FINISH	QTY	
				DO NOT SCALE DRAWING	CAD FILE C:/132/132170.DWG
					DWG. NO. 132170.DWG
					REV. D
					SIZE A
					SCALE NA