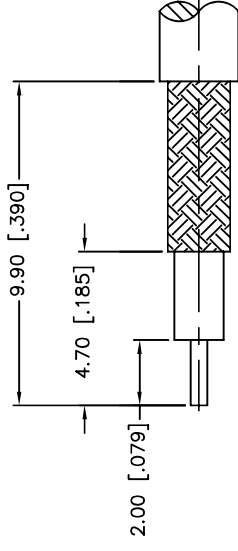
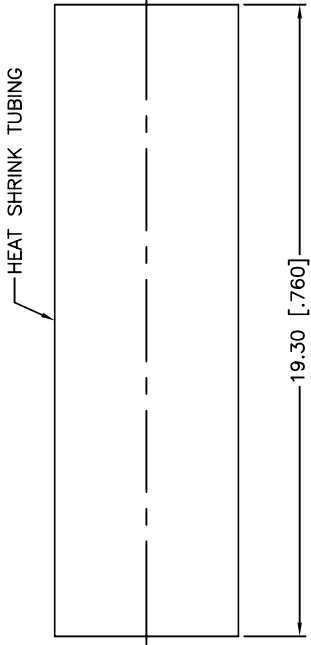
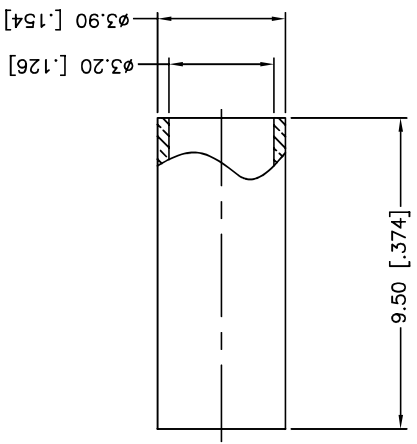


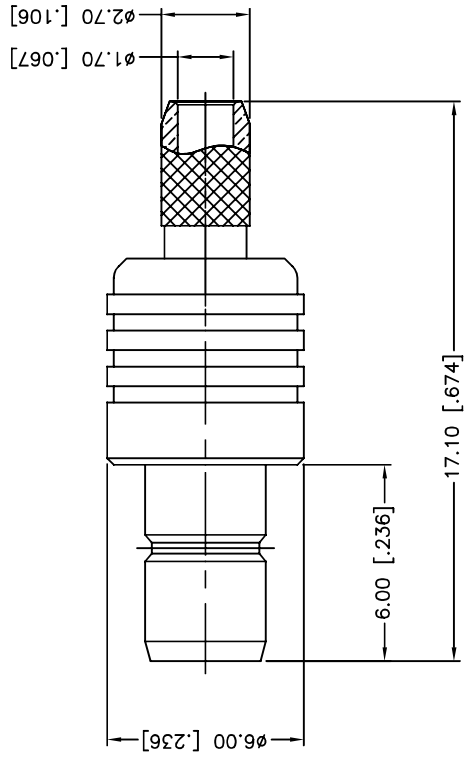
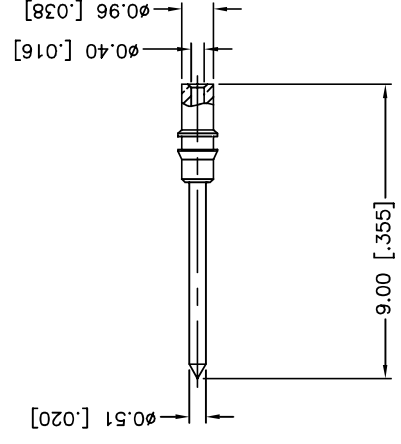
REV.	DATE	ECR NO.	DESCRIPTION
NC	10/20/09	XXXXXX	INITIAL RELEASE



RECOMMENDED
CABLE STRIPPING DIM'S



1. CRIMPED FERRULE
HEX CRIMP SIZE .128"
2. CRIMPED CONTACT PIN
SQ. CRIMP SIZE 0.7mm



DESCRIPTION	MATERIAL	FINISH	QTY
HEAT SHRINK TUBING	BRASS	GOLD	1
FERRULE	BRASS	GOLD	1
CONTACT PIN	BRASS	GOLD	1
BARREL	BRASS	GOLD	1
INSULATOR	PTFE	NATURAL	1
INSULATOR BODY	PTFE	NATURAL	1
	BRASS	GOLD	1
DESCRIPTION	MATERIAL	FINISH	QTY

APPROVALS		DATE
DRAWN M.ZHANG		10/20/09
CHECKED		
ISSUED		
SHEET 1 OF 1		

CAD FILE C:/CONNEX/142189-75.DWG		REV. NC	SIZE A	SCALE NA
----------------------------------	--	---------	--------	----------

UNLESS OTHERWISE SPECIFIED DIMENSIONS ARE IN MILLIMETERS DIMENSIONS IN () ARE IN INCHES AND FOR CUSTOMER REFERENCE ONLY.	
TOLERANCES FOR MILLIMETERS ARE:	
0.5 - 8mm	± 0.20mm
8 - 30mm	± 0.40mm
30 - 120mm	± 0.50mm
TOLERANCES FOR INCHES ARE:	
0.20 - .315	± 0.007"
.315 - 1.180	± 0.015"
1.180 - 4.724	± 0.020"

DO NOT SCALE DRAWING	
----------------------	--

Amphenol Connex

SMB CRIMP JACK
(FOR RG-179/U CABLE)

PART NO. 142189-75