

Our Products

[7/16](#)

[BNC](#)

[D-Sub](#)

[FME](#)

[MCX](#)

[MMCX](#)

[SMA](#)

[SMB](#)

[SMC](#)

[TNC](#)

[Twin BNC](#)

[Type F](#)

[Type N](#)

[UHF](#)

[Between-Series Adapters](#)

[Shielded Terminations](#)

[Strain-Relief Boots](#)

[Tools](#)

[View All Products](#)

Search Results for: Right Angle Crimp Plug - Flexible Cable

Please note: Images are for reference only



Part Number: 252100

Family/Series: MCX Coaxial Connectors

Product Type: CRIMP ATTACHMENTS
FOR FLEXIBLE AND SEMI-RIGID CABLE

Description: Right Angle Crimp Plug -
Flexible Cable

Cable: 174/188A/316/B7805A **

Cable Group: 05

Finish: Nickel

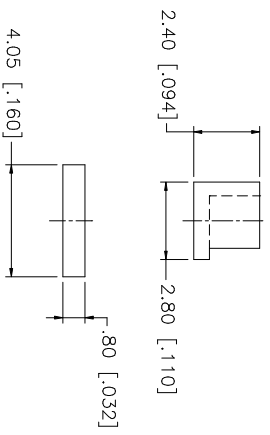
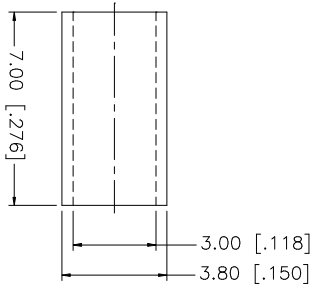
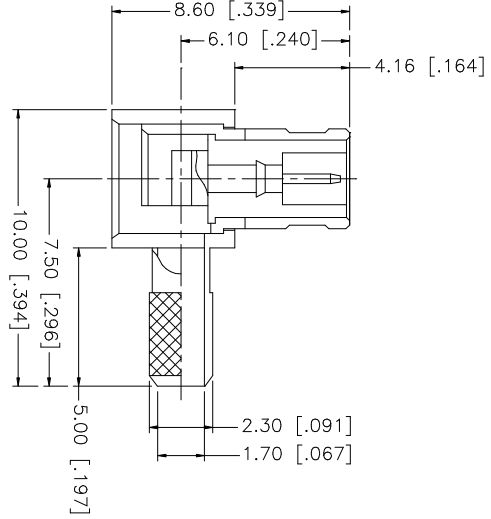
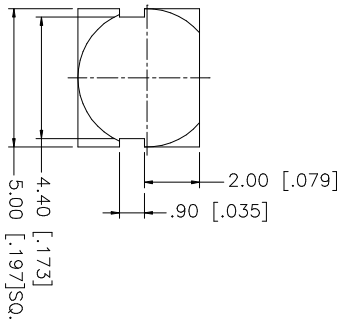
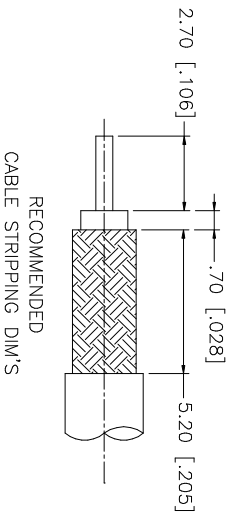
Insulation: Teflon

Impedance: 50 ohms

Crimp Tool: [B](#)

[Add to Cart](#) | [Product Specs](#) | [Customer Drawing](#)

REV.	DATE	DESCRIPTION
A	04/31/03	UPDATE DRAWING FORMAT



NOTE:
 1. CRIMPED FERRULE
 HEX CRIMP SIZE .128"
 2. CONTACT PIN TO SOLDER

QTY	FINISH	MATERIAL	DESCRIPTION
1	GOLD	COPPER	FERRULE
1	GOLD	BRASS	COVER
1	NATURAL	DELFIN	INSULATOR
1	GOLD	BRASS	CONTACT PIN
1	NATURAL	TEFLON	INSULATOR
1	GOLD	BRASS	BODY

APPROVALS	DATE	PART DESCRIPTION
DRAWN G.R.S.	04/31/03	MXX R/A CRIMP PLUG (FOR RG-174/U, 188A/U, 316/U)
CHECKED		
ISSUED		
SHEET 1 OF 1		

UNLESS OTHERWISE SPECIFIED DIMENSIONS ARE IN MILLIMETERS DIMENSIONS IN [] ARE IN INCHES AND FOR CUSTOMER REFERENCE ONLY.	UNLESS OTHERWISE SPECIFIED TOLERANCES FOR MILLIMETERS ARE:	UNLESS OTHERWISE SPECIFIED TOLERANCES FOR INCHES ARE:
	0.5 - 8mm ± 0.20mm	.020 - .315 = ± 0.007"
	8 - 30mm ± 0.40mm	.315 - 1.180 = ± 0.015"
	30 - 120mm ± 0.50mm	1.180 - 4.724 = ± 0.020"

DO NOT SCALE DRAWING	CAD FILE	DWG. NO.	REV.	SIZE	SCALE
	C:/252/252100.DWG	252100.DWG	A	A	NA

Amphenol Connex

Our Products

- [7/16](#)
- [BNC](#)
- [D-Sub](#)
- [FME](#)
- [MCX](#)
- [MMCX](#)
- [SMA](#)
- [SMB](#)
- [SMC](#)
- [TNC](#)
- [Twin BNC](#)
- [Type F](#)
- [Type N](#)
- [UHF](#)

[Between-Series Adapters](#)

[Shielded Terminations](#)

[Strain-Relief Boots](#)

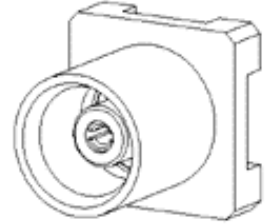
[Tools](#)

[View All Products](#)

MCX connector series

[Features & Benefits](#) |
 [Applications](#) |
 [50 Ω MCX Specs](#) |
 [75 Ω MCX Specs](#) |
 [Assembly Instructions](#)

MCX connectors conform to the European CECC 22220 spec and were introduced in the 1980's. While the MCX uses identical inner contact and insulator dimensions as the SMB, the outer diameter of the plug is .140 inches, which is 30% smaller than the SMB. This series provides designers with options where weight and physical space are limited. MCX provides broadband capability though 6 GHz with a snap-on connector design. A range of connectors are available , including printed circuit board and cable connectors.



MCX Coaxial Connectors

CRIMP ATTACHMENTS FOR FLEXIBLE AND SEMI-RIGID CABLE

- [Straight Crimp Plug - Flexible Cable](#)
- [Right Angle Crimp Plug - Flexible Cable](#)
- [Right Angle Solder Plug -Semi-Rigid Cable](#)
- [Straight Crimp Jack - Flexible Cable](#)
- [Straight Solder Jack - Semi Rigid Cable](#)
- [Straight Crimp Bulkhead Jack - Flexible Cable](#)
- [Straight Solder Bulkhead Jack - Semi Rigid Cable](#)
- [Straight Solder Plug - Semi-Rigid Cable](#)

PRINTED CIRCUIT BOARD. STRAIGHT TERMINAL

- [Straight Jack For Printed Circuit Board](#)
- [Right Angle Jack For Printed Circuit Board](#)
- [Right Angle Plug For Printed Circuit Board](#)
- [Edgecard PCB Receptacle](#)
- [Straight Bulkhead Receptacle](#)
- [Straight Bulkhead Receptacle - Press Fit](#)
- [Straight Plug For Printed Circuit Board](#)
- [Straight Bulkhead Plug Receptacle](#)

IN-SERIES ADAPTERS

- [Jack-To-Jack Adapter](#)
- [Jack-To-Jack Bulkhead Adapter](#)

Features & Benefits

- Broadband performance with low reflection DC to 6 GHz. Low cost combined with high quality.
- Quick connect/disconnect snap-on mating reduces installation time.
- Accommodates a wide range of miniature RG flexible coaxial cables, including semi-rigid cable. This provides customer flexibility in their design and manufacturing.

Applications

- | | | |
|--------------|-----------------------------|-------------------|
| ■ Automotive | ■ Base Station | ■ Components |
| ■ GPS | ■ Head End Equipment | ■ Instrumentation |
| ■ PC/LAN | ■ Radios | ■ Telecom |
| ■ WLAN | ■ Wireless/Networks Antenna | |

50 Ω MCX Specifications

Electrical	
Impedance	50 Ω
Frequency Range	0-6 GHz

Voltage Rating	335 VRMS
Dielectric Withstanding Voltage	1,000 volts
VSWR	Straight connectors: 1.00 @ 2.5 GHz Right angle connectors: 1.10 @ 2.5 GHz
Contact Resistance	Center contact: 5 m Ω ; Outer contact: 1.0 m Ω
Insulation Resistance	5,000 M Ω minimum
Insertion Loss	0.10 dB @ 1 GHz
Mechanical	
Mating	Snap-on coupling per CECC 22220
Braid/Jacket Cable Affixment	Hex crimp
Center Conductor Cable Affixment	Solder
Contact Captivation	All types unless noted otherwise
Engagement Forces	Engagement: 4.5 lbs (20N) maximum Disengagement: 2.3 lbs (10N) minimum
Connector Durability	500 mating cycles minimum
Material	
Male Contact	Brass per QQB-626
Female Contact	Beryllium copper per QQC-530, heat-treated per MIL-H-7199
Contact Plating	30 u" Gold
Body, Metal Parts	Brass per QQB-626
Body/Metal Parts Finish	Nickel or Gold
Insulator	PTFE
Gasket	Silicone rubber
Crimp Ferrule	Seamless copper tubing alloy
Ferrule Finish	Nickel or Gold
Environmental	
Temperature Range	- 65°C to +165°C
Thermal Shock	MIL-STD-202 method 107, test condition B (except high temperatures @ 200°C
Shock	MIL-STD-202 method 213, snap-on, test condition B
Vibration	MIL-STD-202 method 204, snap-on, test condition B
Corrosion	MIL-STD-202 method 101, test condition B. 5% salt solution

Note: These characteristics are typical but may not apply to all connectors.

75 Ω MCX Specifications

Electrical	
Impedance	75 Ω
Frequency Range	0-6 GHz
Voltage Rating	170 VRMS
Dielectric Withstanding Voltage	500 volts
VSWR	Straight connectors: 1.06 @ 2.5 GHz Right angle connectors: 1.08 @ 2.5 GHz
Contact Resistance	Center contact: 5 m Ω ; Outer contact: 2.5 m Ω
Insulation Resistance	10,000 M Ω minimum
Insertion Loss	0.10 dB @ 1 GHz
Mechanical	
Mating	Snap-on coupling per CECC 22220
Braid/Jacket Cable Affixment	Hex crimp
Center Conductor Cable Affixment	Solder
Contact Captivation	All types unless noted otherwise
Engagement Forces	Engagement: 4.5 lbs (20N) maximum Disengagement: 2.3 lbs (10N) minimum
Connector Durability	500 mating cycles minimum

Material	
Male Contact	Brass per QQB-626
Female Contact	Beryllium copper per QQC-530, heat-treated per MIL-H-7199
Contact Plating	30 u" Gold
Body, Metal Parts	Brass per QQB-626
Body/Metal Parts Finish	Brass per QQB-626/Nickel or Gold
Insulator	PTFE
Gasket	Silicone rubber
Crimp Ferrule	Seamless copper tubing alloy
Ferrule Finish	Nickel or Gold
Environmental	
Temperature Range	- 65°C to +165°C
Thermal Shock	MIL-STD-202 method 107, test condition B (except high temperatures @ 200°C)
Shock	MIL-STD-202 method 213, snap-on, test condition B
Vibration	MIL-STD-202 method 204, snap-on, test condition B
Corrosion	MIL-STD-202 method 101, test condition B. 5% salt solution

Note: These characteristics are typical but may not apply to all connectors.

 [back to top](#)