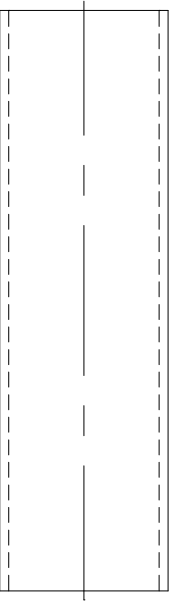
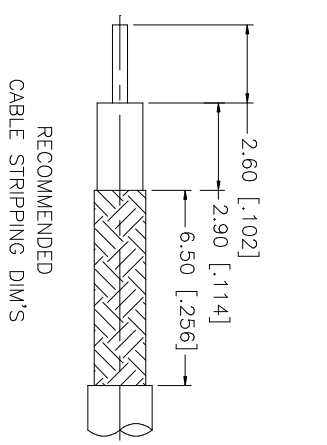
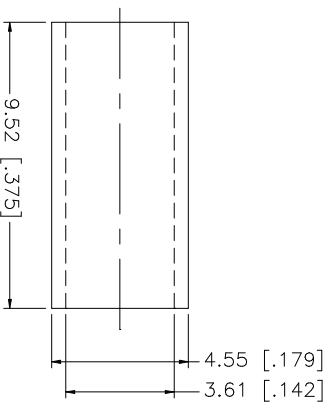
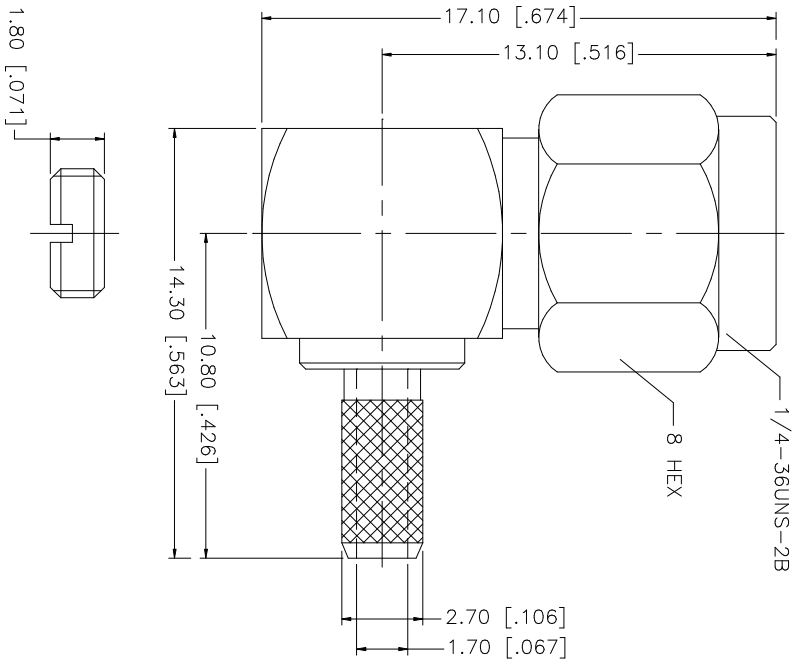


REV.	DATE	DESCRIPTION
C	02/18/03	UPDATE DRAWING FORMAT



- NOTE:
1. CRIMPED FERRULE
HEX CRIMP SIZE ".151"
 2. CONTACT PIN TO SOLDER

QTY	FINISH	MATERIAL	DESCRIPTION
1	BLACK	COPPER	HEAT SHRINK TUBE
1	GOLD	BRASS	FERRULE
1	GOLD	SILICONE	COVER
1	RED	BER. COPPER	GASKET
1	NATURAL	BRASS	RETAINER RING
1	GOLD	TEFLON	CONTACT PIN
1	NATURAL	BRASS	INSULATOR
1	GOLD	BRASS	HOUSING/BODY

APPROVALS	DATE
DRAWN G.R.S.	02/18/03
CHECKED	
ISSUED	
SHEET 1 OF 1	

UNLESS OTHERWISE SPECIFIED DIMENSIONS ARE IN MILLIMETERS, DIMENSIONS IN [] ARE IN INCHES AND FOR CUSTOMER REFERENCE ONLY. TOLERANCES FOR MILLIMETERS ARE:	DO NOT SCALE DRAWING
0.5 - 8mm ± 0.20mm	
8 - 30mm ± 0.40mm	
30 - 120mm ± 0.50mm	
UNLESS OTHERWISE SPECIFIED TOLERANCES FOR INCHES ARE:	
.020 - .315 = ± 0.007"	
.315 - 1.180 = ± 0.015"	
1.180 - 4.724 = ± 0.020"	

CAD FILE	DWG. NO.	REV.	SIZE	SCALE
C:/132/132182.DWG	132182.DWG	C	A	NA

PART DESCRIPTION	PART NO.
Amphenol Connex SMA R/A CRIMP PLUG (FOR RG-316/U CABLE)	132182