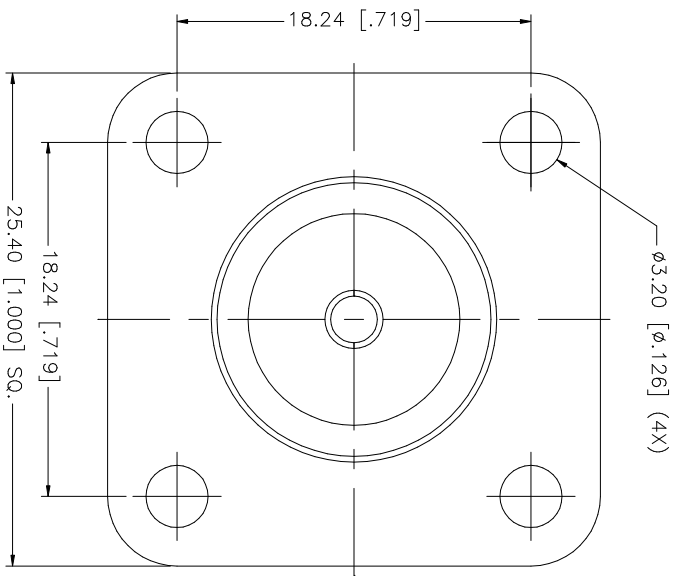
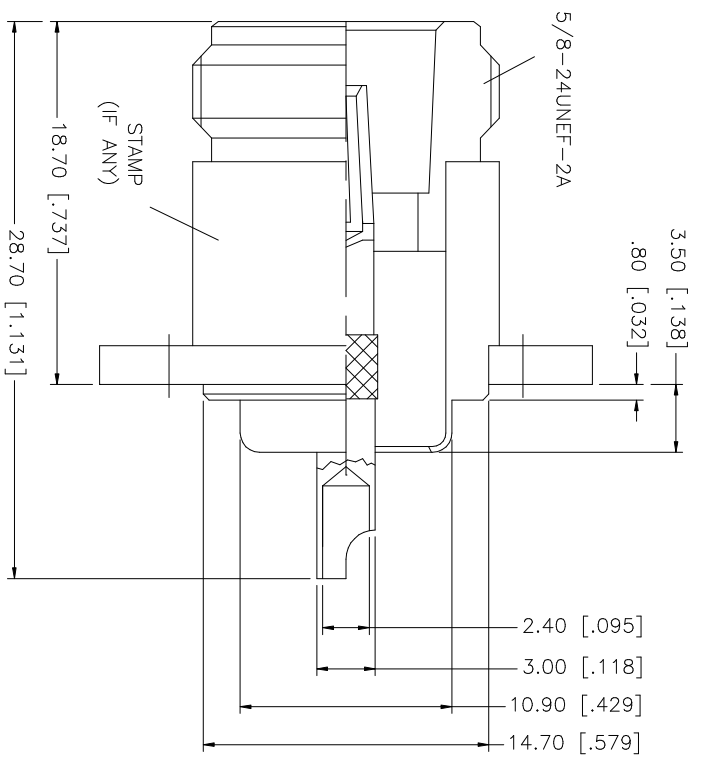


REV.	DATE	DESCRIPTION
A	06/05/03	UPDATE DRAWING FORMAT



NO.	DESCRIPTION	MATERIAL	FINISH	QTY	UNLESS OTHERWISE SPECIFIED, DIMENSIONS ARE IN MILLIMETERS. DIMENSIONS IN [] ARE IN INCHES AND FOR CUSTOMER REFERENCE ONLY. TOLERANCES FOR MILLIMETERS ARE:	UNLESS OTHERWISE SPECIFIED, DIMENSIONS ARE IN INCHES. DIMENSIONS IN [] ARE IN INCHES AND FOR CUSTOMER REFERENCE ONLY. TOLERANCES FOR INCHES ARE:	APPROVALS	DATE	PART DESCRIPTION	DWG. NO.	REV.	SIZE	SCALE	
8					0.5 - 8mm ± 0.20mm	.020 - .315 = ± 0.007"	DRAWN	G.R.S.	06/05/03	<p style="text-align: center;">Amphenol Connex</p> <p style="text-align: center;">N PANEL RECEPTACLE JACK</p>	172119.DWG	A	A	NA
7					8 - 30mm ± 0.40mm	.315 - 1.180 = ± 0.015"	CHECKED							
6					30 - 120mm ± 0.50mm	1.180 - 4.724 = ± 0.020"	ISSUED							
5							SHEET	1 OF 1						
4	CONTACT PIN	PHOS. BRONZE	GOLD	1										
3	INSULATOR	TEFLON	NATURAL	1										
2	BODY	BRASS	NEXCOTE	1										
1	DESCRIPTION													
					UNLESS OTHERWISE SPECIFIED, DIMENSIONS ARE IN MILLIMETERS. DIMENSIONS IN [] ARE IN INCHES AND FOR CUSTOMER REFERENCE ONLY. TOLERANCES FOR MILLIMETERS ARE:		DO NOT SCALE DRAWING		CAD FILE C:/172/172119.DWG					