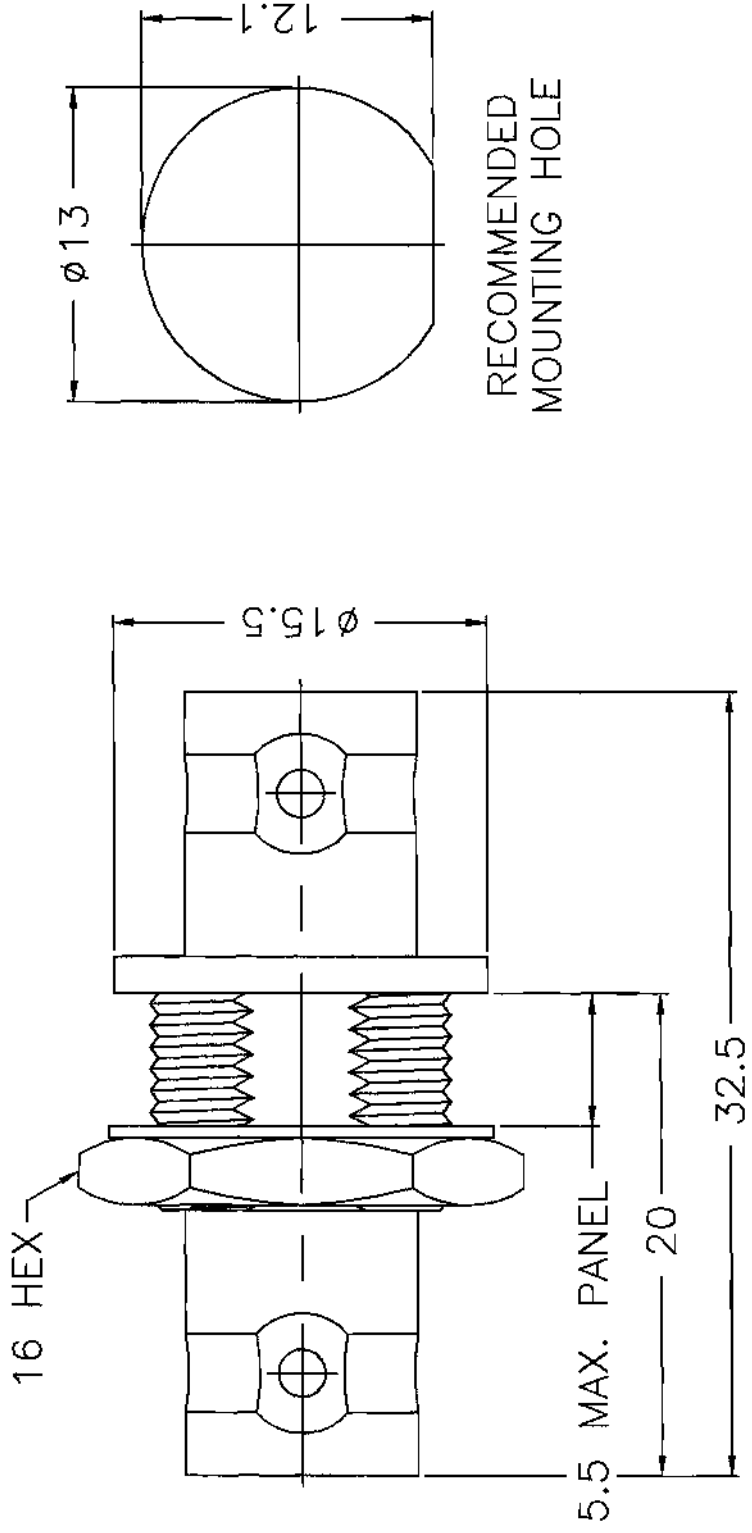


REVISIONS		DWG. NO.	SH	REV.
ZONE	LTR	DESCRIPTION	DATE	APPROVED



RECOMMENDED
MOUNTING HOLE

DESCRIPTION	MATERIAL	FINISH	QTY	DIMENSIONS ARE IN MILLIMETERS UNLESS OTHERWISE SPECIFIED TOLERANCES ARE:		APPROVALS	DATE
1 BODY	BRASS	NICKEL	1	0.5-6 = ± 0.2		DRAWN B. BURTON	3/5/96
2 INSULATOR	DELFIN	NATURAL	1	6-50 = ± 0.4		CHECKED	
3 CONTACT PIN	BRASS	GOLD	1	30-120 = ± 0.6		ISSUED	
				120-315 = ± 1			
				315-1000 = ± 1.6			
				1000-2000 = ± 2.4			
				DO NOT SCALE DRAWING			

Connex Connector Corporation	
TITLE	BNC JACK TO JACK BULKHEAD ADAPTER 50 OHMS
SIZE	FSCM NO. DWG. NO.
A	99001 112437 .DWG
SCALE	3.5:1 PART NO. 112437 SHEET 1 OF 1